

**Kitchen series**  
**9255700**  
**Culinary Kitchen**

**STANDARDS**

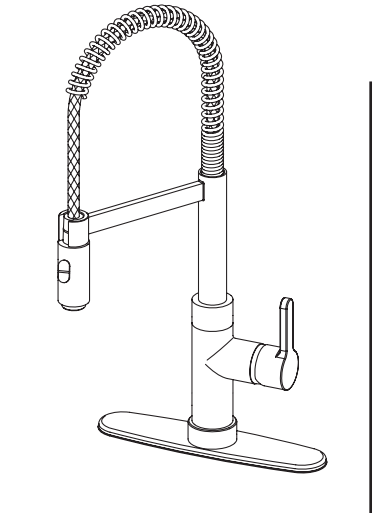
- Compliant with ASME A112.18.1 B125.1
- Compliant with AB1953
- Compliant with ANSI NSF61 – Annex G
- Certified by CSA International
- Compliant with ANSI A117.1
- Max flow rate 1.80 gpm at 60 psi

**Finishes**

	9255700PC	9255700BN
Polished Chrome	X	
Brushed Nickel		X

**Features**

	9255700PC	9255700BN
Solid Brass Construction	X	X
Single Control Ceramic Disc Valve	X	X
Meets NSF 61/9 Annex G Lead Requirements	X	X
ADA Compliant	X	X
1 hole installation. Optional 3-hole deckplate	X	X
Step-By-Step Installation Instructions	X	X
Limited Lifetime Warranty	X	X



Project \_\_\_\_\_

Contractor \_\_\_\_\_