

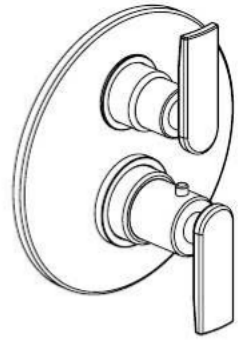
**6069000**

1/2" Thermostatic Trim  
With Volume Control

needs rough VALVE 690

**FINISHES**

- 6069000PC Polished Chrome
- 6069000BG Brushed Gold
- 6069000BB Brushed Black



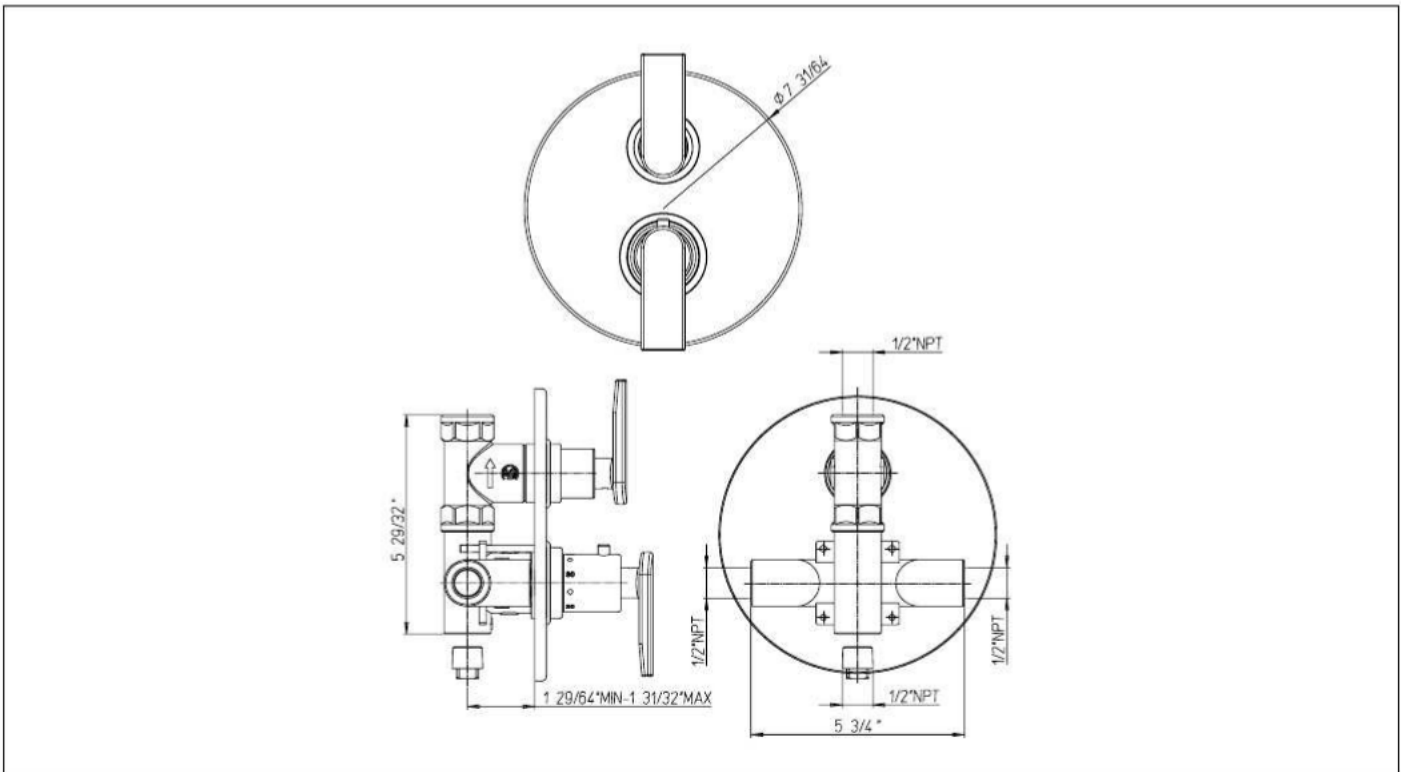
**STANDARDS**

- Compliant with ASME A112.18.1 - CSA B125.1 when sold with rough valve
- Certified by IAPMO R&T Lab when sold with rough valve
- ADA Compliant

**FEATURES**

- Solid Brass Construction
- Complete Trim Kit
- Thermo Control Cartridge
- 1/4 turn Ceramic disc valve
- Independent Temperature Control
- Stop limit temperature device included
- Step-By-Step Installation Instructions

**DIMENSIONS**



Project \_\_\_\_\_  
Contractor \_\_\_\_\_