

Serie Scala

842080C

Wall mounted lavatory fct.

STANDARDS

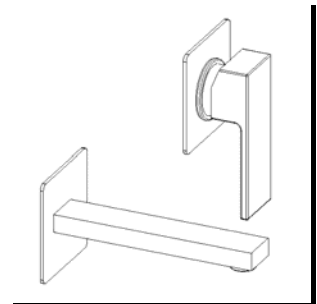
- Compliant with ASME A112.18.1-B125.1
- Compliant with AB1953
- Compliant with EPA Water Sense
- Compliant with ANSI NSF61 – Annex G
- Certified by CSA International
- Compliant with ANSI A117.1
- CEC listed – max flow rate 1.2gpm at 60psi

Finishes

	842080CPC	842080CBN
Polished Chrome	X	
Brushed Nickel		X

Features

	842080CPC	842080CBN
Solid Brass Construction	X	X
Single Control Ceramic Disc Valve	X	X
Meets NSF 61/9 Annex G Lead Requirements	X	X
Meets EPA Watersense Certification 1.2gpm, 4.54 L/Min	X	X
ADA Compliant	X	X
Less Pop-up	X	X
Step-By-Step Installation Instructions	X	X
Limited Lifetime Warranty	X	X



Project: _____
 Contractor: _____