

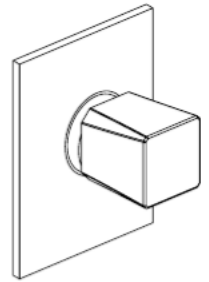
9440200

Volume Control Trim

needs rough VALVE 400 / 402

FINISHES

- 9440200PC Polished Chrome
- 9440200BN Brushed Nickel



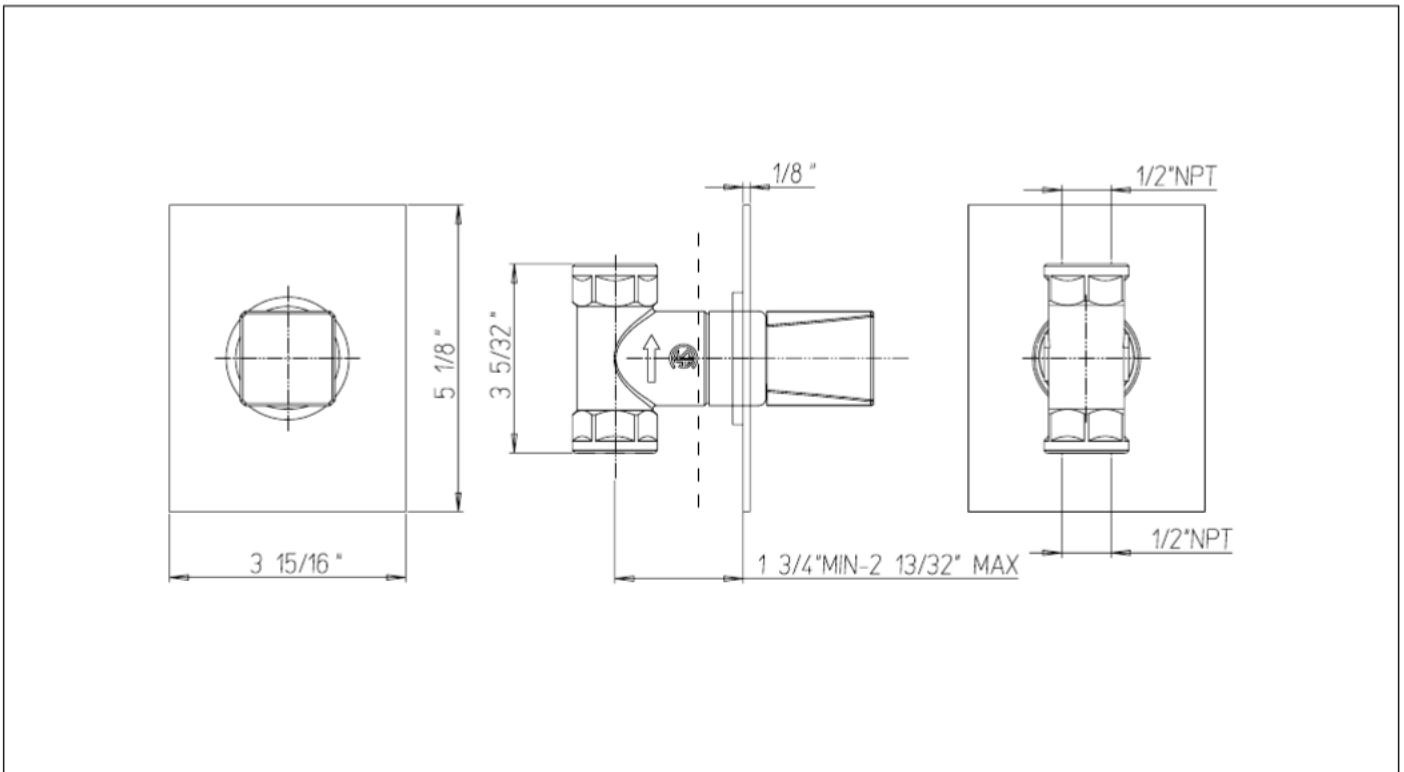
STANDARDS

- Compliant with ASME A112.18.1 - CSA B125.1 when sold with rough valve
- Certified by IAPMO R&T Lab when sold with rough valve
- ADA Compliant

FEATURES

- Solid Brass Construction
- Complete Trim Kit
- 1/4 turn ceramic disc valve
- Step-By-Step Installation Instructions

DIMENSIONS



Project _____
 Contractor _____