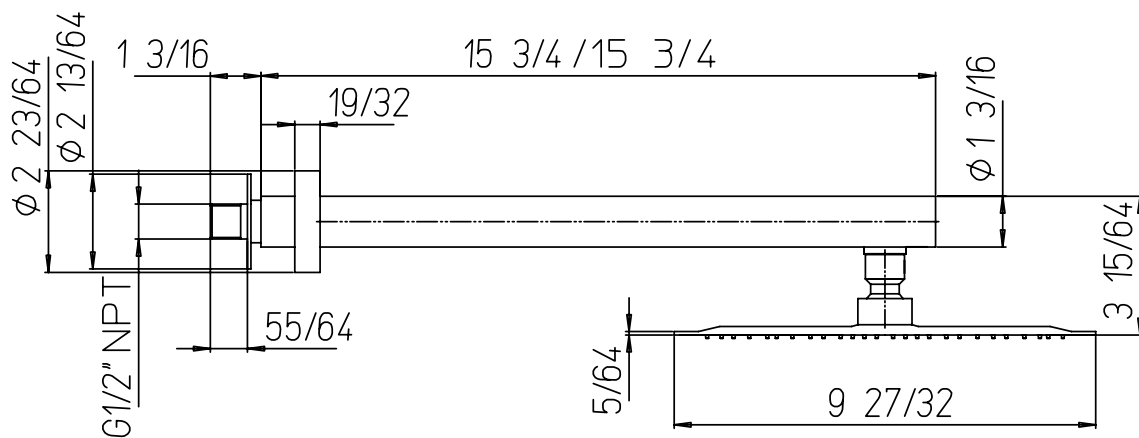

INSTALLATION DIMENSION

Serie Brera

92750R1

10" showerhead package round
with 16 inch shower arm



Serie Brera

92750R1

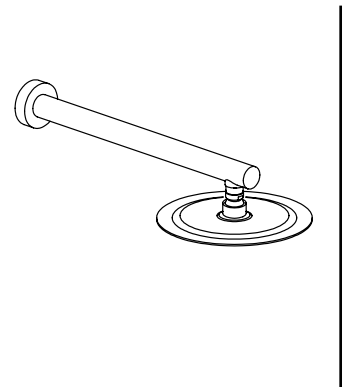
10" showerhead package round
with 16 inch shower arm

STANDARDS

- Compliant with ASME A112.18.1-B125.1 requirements
- Certified By CSA international
- CEC listed – max flow rate 2.0gpm at 60psi

Finishes	92750R1PC	92750R1BN
Polished Chrome	X	
Brushed Nickel		X

Features	92750R1PC	92750R1BN
Raincan Showerhead Kit with Matching 16" arm and flange	X	X
Delivers 2.0gpm at 60psi MAX	X	X
Showerhead features Rotating Ball Joint	X	X
1/2" NPT Inlets	X	X
Self Cleaning Spray Nozzles	X	X
Step-By-Step Installation Instructions	X	X
Limited Lifetime Warranty	X	X



Project _____

Contractor _____