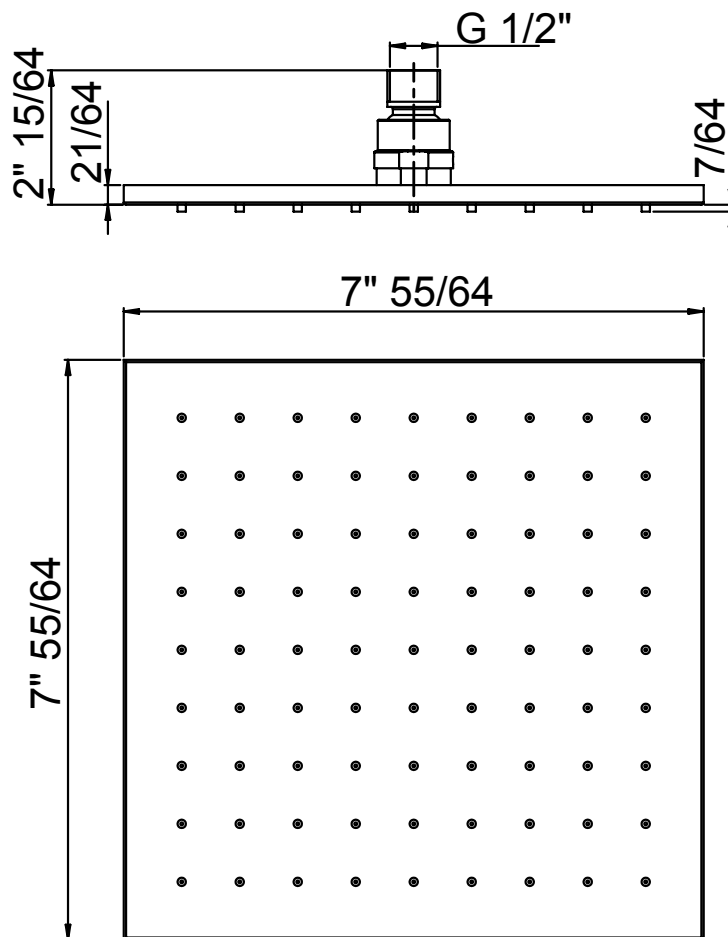

INSTALLATION DIMENSION

Serie Scala

84760S1

8" brass true square



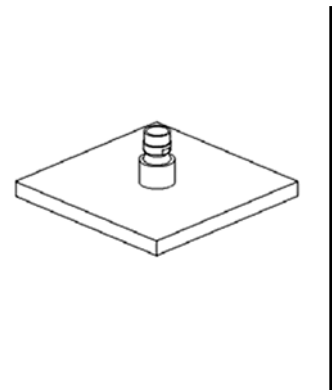
Serie Scala
84760S1
8" brass true square

STANDARDS

- Compliant with ASME A112.18.1-B125.1 requirements
- Certified By CSA international
- CEC listed – max flow rate 2.0gpm at 60psi

Finishes	84760S1PC	84760S1BN	84760S1PN	84760S1TB
Polished Chrome	X			
Brushed Nickel		X		
Polished Nickel			X	
Tuscan Bronze				X

Features	84760S1PC	84760S1BN	84760S1PN	84760S1TB
Raincan Showerhead	X	X	X	X
Delivers 2.0gpm at 80psi MAX	X	X	X	X
Showerhead features Rotating Ball Joint	X	X	X	X
1/2" NPT Inlets	X	X	X	X
Self Cleaning Spray Nozzles	X	X	X	X
Step-By-Step Installation Instructions	X	X	X	X
Limited Lifetime Warranty	X	X	X	X



Project _____

Contractor _____