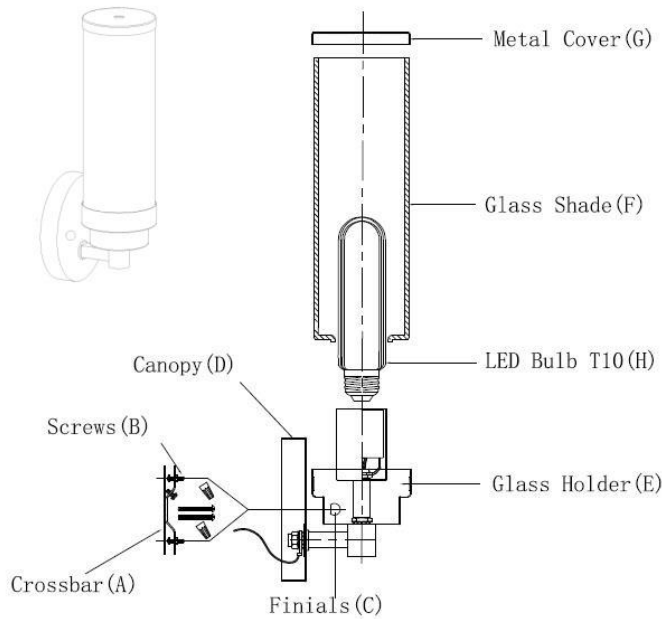


# ITEM NO: 55007-01-XX

## ASSEMBLY INSTRUCTIONS



1. Remove lamp from packaging and place all pieces on a flat surface.
2. Make sure circuit to wiring is turned off at main breaker box.
3. Mount crossbar(A) to electrical box using supplied screws.
4. Adjust the length of screws(B) on crossbar by small hexagon nuts.
5. Attach black wire(fixture) to live wire from housing using wire nut. Attach white wire(fixture) to neutral wire from housing using wire nut. Attach ground wire(fixture and housing) to green screw on crossbar(A).
6. Slide canopy(D) over screws(B), and secure canopy with finials(C).
7. Install LED bulb T10(H) to lampholder.(bulb included)
8. Put the glass shade(F) into glass holder(E), then place the metal cover(G) over the glass shade(F).
9. Re-connect power to circuit, turn on lamp and enjoy.

\* PLEASE INFORM YOUR DEALER IMMEDIATELY IN CASE OF ANY PARTS SHORTAGE.

\* SAVE THESE INSTRUCTIONS FOR FUTURE REFERENCE.