

# INSTALLATION INSTRUCTIONS

For Model 7116-04

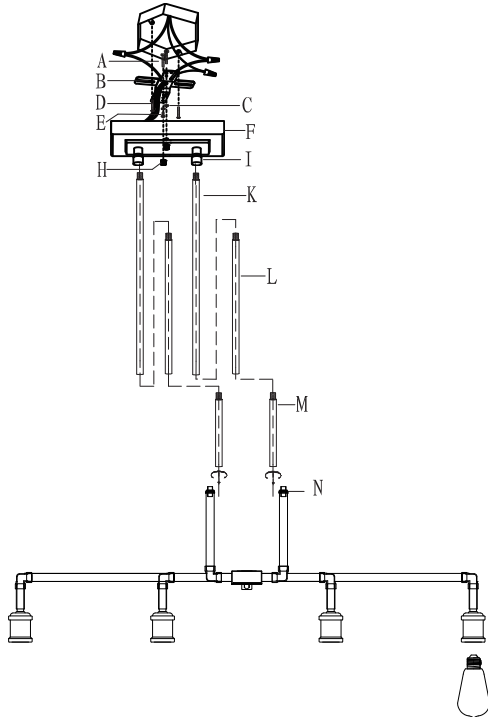
## READ AND SAVE THESE INSTRUCTIONS

These instructions are provided for your safety. It is very important to read them carefully and completely before beginning installation of the lighting fixture. We strongly suggest that all direct-wired fixture be installed by a qualified and licensed electrician.

**WARNING! SHUT POWER OFF AT FUSE OR CIRCUIT BREAKER**

**BEFORE INSTALLATION**

**AVERTISSEMENT! COUPER LE COURANT AU NIVEAU DES FUSIBLES OU DU DIS JONCTEUR.**



leave at least 8 to 10 inches of wire beside to the desired length, and slide any the extra rods off the fixture's wires to discard. Keep in mind that you must use the provided 6-inch rods (M) to hang the fixture at least. Thread the wires through the rods and pull the wires until it is taut before connecting the rods together. Screw bottom rods (M) onto nipples (N) on the fixture. Screw the nipples of the top rods into the swivel posts (I) of the canopy (F). Pull the fixture wires through the top of the canopy.

### CONNECTING THE WIRES

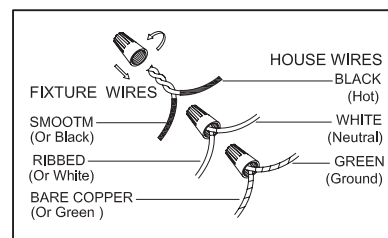
Have an assistant support the fixture's weight while working on the wiring. Attach the fixture's wires to the power supply wires from the junction box. Connect the black to black (or smooth); the white wire with the white (or ribbed); the ground wire with the ground (green or copper). Twist the end of the wire pairs together and twist on a wire connector. Make sure all twists are in the same direction. If there is no ground wire (green or copper) from the junction box, locate the ground screw (E) on the crossbar (B) and wrap the fixture's ground wire around the green ground screw (E). Use a screwdriver to tighten the ground screw (E) onto the crossbar (B). Tuck all wires neatly into the junction box.

### PREPARING FOR INSTALLATION

Remove all contents from the carton. See the important notes above carefully. Shut off the power at the circuit breaker and completely remove the old fixture from the ceiling, including the old crossbar. Remove the crossbar kits from the bag. Crossbar (B) contains several pairs of threaded holes. Find the pair of holes that matches the spacing of the holes on the junction box and the fixture's canopy. Two mounting screws (A) should be attached to crossbar (B). You may need to tighten nuts (C) to hold these screws in place. Pull the house wires through the center of the crossbar (B). Place the crossbar (B) over the junction box so that the mounting screws (A) are vertical and aligned with the hole locations on the fixture's canopy (F). Secure crossbar (B) to the junction box by tightening the screws.

### ASSEMBLING THE FIXTURE

Each fixture includes two 18-inch rods (K), two 12-inch rods (L), and two 6-inch rods (M). Determine the correct number of rods needed for a proper hanging height. To lengthen the fixture, add additional rods. If additional rods are needed, contact the place of purchase to order. To shorten the fixture, trim the wires to the desired length,



### FINISHING THE INSTALLATION

Push canopy (F) up to the ceiling and tighten the nuts (H) onto the exposed mounting screws (A).

Install bulb(s) (not included) in accordance with the fixture's specifications. Do not exceed the recommended maximum wattage.

Your installation is now complete. Turn on the power and test the fixture.

### CLEANING TIPS

Treat the fixture gently! Regular cleaning will reduce the need of deep cleaning. For regular cleaning, turn off the lighting and wipe down the fixture with a clean lint-free cotton or microfiber cloth. Never spray cleaner directly onto the fixture.