

INSTALLATION INSTRUCTIONS

For Model 7116-01

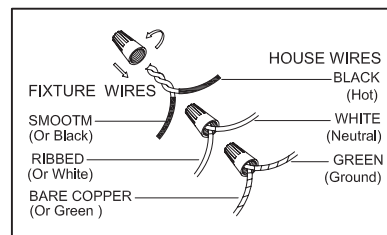
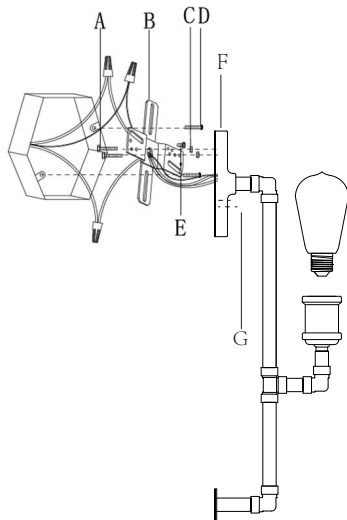
READ AND SAVE THESE INSTRUCTIONS

These instructions are provided for your safety. It is very important to read them carefully and completely before beginning installation of the lighting fixture. We strongly suggest that all direct-wired fixture be installed by a qualified and licensed electrician.

WARNING! SHUT POWER OFF AT FUSE OR CIRCUIT BREAKER

BEFORE INSTALLATION

AVERTISSEMENT! COUPER LE COURANT AU NIVEAU DES FUSIBLES OU DU DIS JONCTEUR.



PREPARING FOR INSTALLATION

Remove all contents from the carton. See the important notes above. Shut off the power at the circuit breaker and completely remove the old fixture from the ceiling, including the old crossbar.

The crossbar (B) has several pairs of threaded holes. Find the pair of holes that matches the spacing of the holes on the junction box and your fixture's backplate. Two mounting screws (A) should be attached to the crossbar (B). You may need to tighten the nuts (C) to hold these screws in place. Pull the house wires through the center of the crossbar (B). Place the crossbar (B) against the junction box so that the mounting screws (A) are aligned with the holes on fixture's backplate (F). Secure crossbar (B) to the junction box by securely tightening the mounting screws (D).

CONNECTING THE WIRES

Attach the fixture's wires to the power supply wires from the junction box. Connect the black wire with the black (or smooth); the white wire with the white (or ribbed); the ground wire with the ground (green or copper). Twist the end of the wire pairs together and twist on a wire connector. Make sure all twists are in the same direction. If there is no ground wire (green or copper) from the junction box, locate the ground screw (E) on the crossbar (B) and wrap the fixture's ground wire around the green ground screw (E). Use a screwdriver to tighten the ground screw (E) onto the crossbar. Tuck all wires neatly into the junction box.

FINISHING THE INSTALLATION

Place the fixture's backplate (F) over mounting screws (A) so that they protrude through the holes on the backplate. Screw deco nuts (G) onto mounting screws (A). Twist until the backplate of the fixture is snugly against the wall. Install light bulb(s) (not included) in accordance with the fixture's specifications. Do not exceed the recommended maximum wattage.

Your installation is now complete. Turn on the power and test the fixture.

CLEANING TIPS

Treat the fixture gently! Regular cleaning will reduce the need of deep cleaning. For regular cleaning, turn off the lighting and wipe down the fixture with a clean lint-free cotton or microfiber cloth. Never spray cleaner directly onto the fixture.