

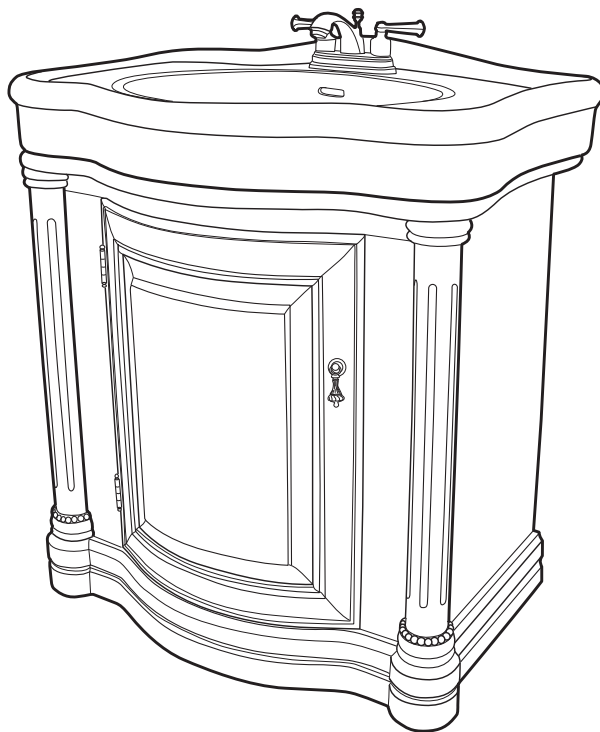
Wingate

Product Codes

WIA3021

Effective Date: 12-21-04

2 PIECE ASSEMBLED VANITY COMBO



Toll Free Customer Assistance

1-800-443-1410

Monday-Friday, 8:30a.m. To 4:30p.m., EST
E-Mail Address: customerservice@fitnjo.com

Please read instructions before assembly process

1 VANITY INSTALLATION

Figure 1

1. Place vanity cabinet (A) into desired location. Check if the vanity is level from front to back and side to side.
2. If the vanity needs leveling, place wood shims (not included) under the vanity to level it.
3. Check for level again.
4. Try to locate at least one stud within the vanity area. Using wood screws, fasten vanity to wall through top Horizontal wood rail (E).
5. Trim off any exposed shims.

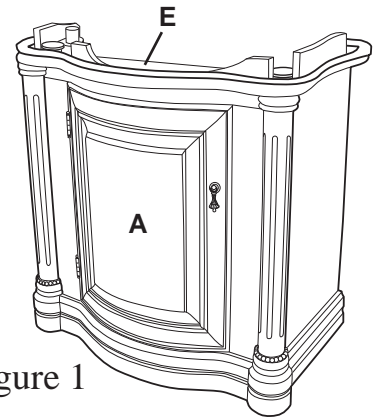


Figure 1

WOOD SPINDLE (typical 4)

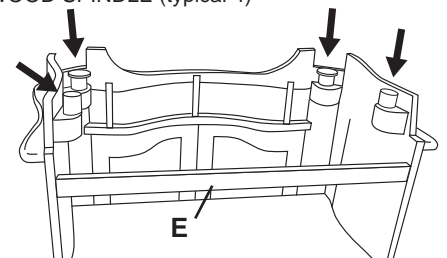


Figure 2

2 VITREOUS CHINA TOP INSTALLATION

Figure 2 & 3

1. Place vitreous china top on vanity. Locate the four wooden spindles within the four corners of the vanity frame. Adjust the height of the spindles until the top is level within the vanity frame.
2. Remove the vitreous china top. Place a bead of caulk on the top of the four wooden spindles. (Caulk not included)
3. Carefully place the vitreous china top (Fig. 3) onto the vanity. Allow the caulk to completely dry according to the manufacturer's instructions.

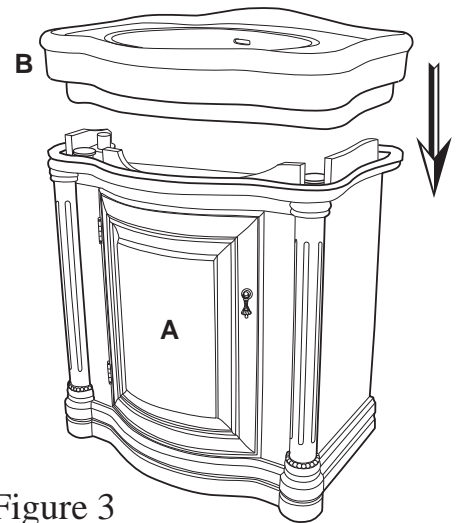
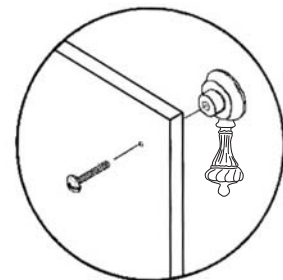


Figure 3

3 KNOB / HANDLE INSTALLATION

Figure 4

1. Place machine screws through predrilled hole in door or drawer. Line up knob or handle with machine screw and tighten with screw driver.
2. Repeat process for all additional doors and drawers.



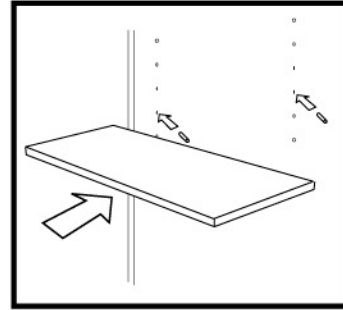
KNOB INSTALLATION

Figure 4

4

SHELF INSTALLATION

1. Place shelf clips into predrilled holes located inside the vanity cabinet on the right and left side walls. Once shelf clips are installed rest wood shelf onto clips.



Keeping Your Furniture Beautiful

Quality wood furniture is a significant investment expected to last for generations. To maintain its beauty and help it last, wood furniture needs the right care. Foremost Furniture products are finished with two to three coats of lacquer for extra depth and long-lasting durability. The sheen, or gloss, of the finish ranges from high to low, depending on the piece or collection. The finish protects the wood and adds to its beauty. No finish is totally indestructible. But with regular care, the finish will last much longer, providing years of enjoyment to you.

To protect and care for your furniture, we suggest the following:

- Avoid placing your Foremost furniture in direct sunlight, as sunlight causes fading.
- Clean up spills immediately. Use a blotting rather than a wiping action. Water left over a long period of time will cause white spots in the finish. Alcohol, perfume, after-shave and medications can cause severe finish damage.

Cleaning and polishing your furniture:

We recommend dusting frequently with a clean, soft, dry, lint-free cloth. Clean the surface by rubbing in the direction of the grain. We recommend polishing your furniture approximately every six months, using a clean, soft, lint-free cloth and rubbing the polish in the direction of the grain.

What furniture care products do we recommend?

We recommend polishes which contain detergents, emulsifiers and mineral oil. The detergents clean dirt from the furniture, the emulsifiers give it body to clean and last longer and the mineral oil is left behind as a barrier for dirt and moisture that could harm finishes. There's no grit to harm the finish, no wax to build up and no silicone to raise the sheen and act as a barrier for touch-up and refinishing.

Thank you for purchasing this Foremost furniture product. Your new assembled furniture is constructed using only the finest materials and captures the essence of timeless beauty and style.

At Foremost, each piece of quality cabinetry is designed with the customer in mind. Every aspect of what we do revolves around the customers, needs.

Should you have any questions about your furniture, we would like to address the concern quickly. Our trained staff is ready to help you with quick, efficient service. Please call our toll free Customer Service number.

Toll Free Customer Assistance

1-800-443-1410

Monday-Friday, 9:00a.m. To 5:30p.m., EST

Cabinet Warranty Information

Each cabinet manufactured by Foremost Groups, Inc. is covered by a 5 Year / Limited Lifetime Warranty. We warrant our cabinets to be free from defects in material or workmanship for a period of 5 years from the date of delivery.

Additionally we offer a limited lifetime warranty on our drawer suspension systems. These warranties are made to the original purchaser and are limited to the repair or exchange of any parts which prove defective under normal use during the warranty period.

These warranties do not apply where cabinets have been improperly stored or improperly installed, misused, abused, or modified in any way. They do not cover the costs of removing warranted material or the installation of replacement material.

These warranties are the sole warranties of Foremost Groups, Inc. and in lieu of all other warranties, express implied, including any implied warranties of merchantability and fitness for a particular use. Labor charges for removal of or installation of warranted material as well as incidental or consequential damages are excluded. We do not assume for us any other liability in connection with the sale of our product.

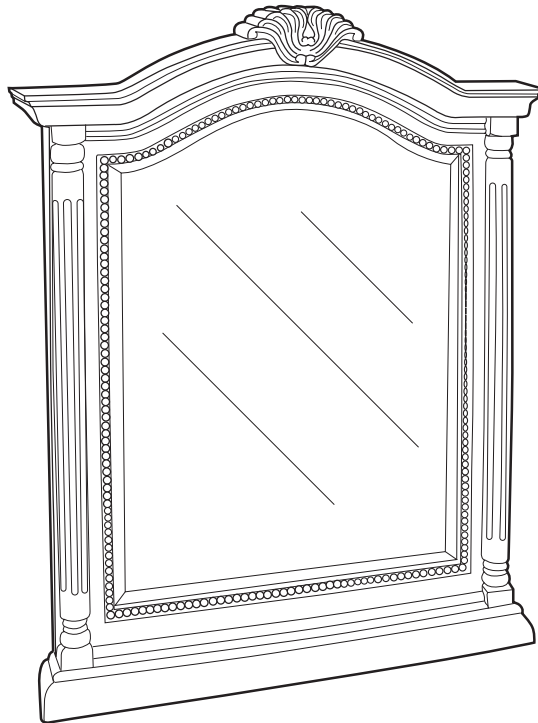
Wingate

Product Codes

WIM2635

Effective Date: 12-21-04

MIRROR



Toll Free Customer Assistance

1-800-443-1410

Monday-Friday, 8:30a.m. To 4:30p.m., EST
E-Mail Address: customerservice@fitnjo.com

Please read instructions before assembly process

1 MOUNTING MIRROR TO WALL

1. Get a helper to hold the mirror against the wall where it will be hung. Mark the bottom and top of the mirror on the wall in desired position. Use a level to adjust for plumb and mark the line at the point where the top line intersects with the plumb line.

2. Using a ruler, measure and mark the position of the mounting brackets on the wall. The mounting brackets are located on the back of the mirror. (See Fig. 1 to right).

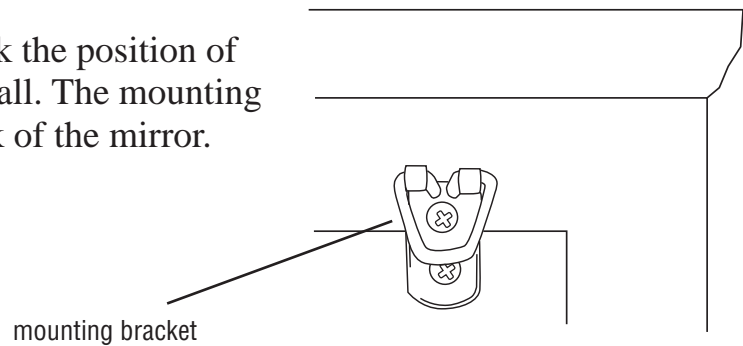


FIGURE 1

3. Try to find at least one stud within the marked area. If stud is not available use toggle fastener to secure the mirror to the wall (Fasteners not included). Install mounting screw in wall in the proper position leaving about 1/8" from wall.

4. Align the mirror's mounting brackets with newly installed screws and hang mirror accordingly.

Keeping Your Furniture Beautiful

Quality wood furniture is a significant investment expected to last for generations. To maintain its beauty and help it last, wood furniture needs the right care. Foremost Furniture products are finished with two to three coats of lacquer for extra depth and long-lasting durability. The sheen, or gloss, of the finish ranges from high to low, depending on the piece or collection. The finish protects the wood and adds to its beauty. No finish is totally indestructible. But with regular care, the finish will last much longer, providing years of enjoyment to you.

To protect and care for your furniture, we suggest the following:

- Avoid placing your Foremost furniture in direct sunlight, as sunlight causes fading.
- Clean up spills immediately. Use a blotting rather than a wiping action. Water left over a long period of time will cause white spots in the finish. Alcohol, perfume, after-shave and medications can cause severe finish damage.

Cleaning and polishing your furniture:

We recommend dusting frequently with a clean, soft, dry, lint-free cloth. Clean the surface by rubbing in the direction of the grain. We recommend polishing your furniture approximately every six months, using a clean, soft, lint-free cloth and rubbing the polish in the direction of the grain.

What furniture care products do we recommend?

We recommend polishes which contain detergents, emulsifiers and mineral oil. The detergents clean dirt from the furniture, the emulsifiers give it body to clean and last longer and the mineral oil is left behind as a barrier for dirt and moisture that could harm finishes. There's no grit to harm the finish, no wax to build up and no silicone to raise the sheen and act as a barrier for touch-up and refinishing.

Thank you for purchasing this Foremost furniture product. Your new assembled furniture is constructed using only the finest materials and captures the essence of timeless beauty and style.

At Foremost, each piece of quality cabinetry is designed with the customer in mind. Every aspect of what we do revolves around the customers, needs.

Should you have any questions about your furniture, we would like to address the concern quickly. Our trained staff is ready to help you with quick, efficient service. Please call our toll free Customer Service number.

Toll Free Customer Assistance

1-800-443-1410

Monday-Friday, 9:00a.m. To 5:30p.m., EST

Cabinet Warranty Information

Each cabinet manufactured by Foremost Groups, Inc. is covered by a 5 Year / Limited Lifetime Warranty. We warrant our cabinets to be free from defects in material or workmanship for a period of 5 years from the date of delivery.

Additionally we offer a limited lifetime warranty on our drawer suspension systems. These warranties are made to the original purchaser and are limited to the repair or exchange of any parts which prove defective under normal use during the warranty period.

These warranties do not apply where cabinets have been improperly stored or improperly installed, misused, abused, or modified in any way. They do not cover the costs of removing warranted material or the installation of replacement material.

These warranties are the sole warranties of Foremost Groups, Inc. and in lieu of all other warranties, express implied, including any implied warranties of merchantability and fitness for a particular use. Labor charges for removal of or installation of warranted material as well as incidental or consequential damages are excluded. We do not assume for us any other liability in connection with the sale of our product.

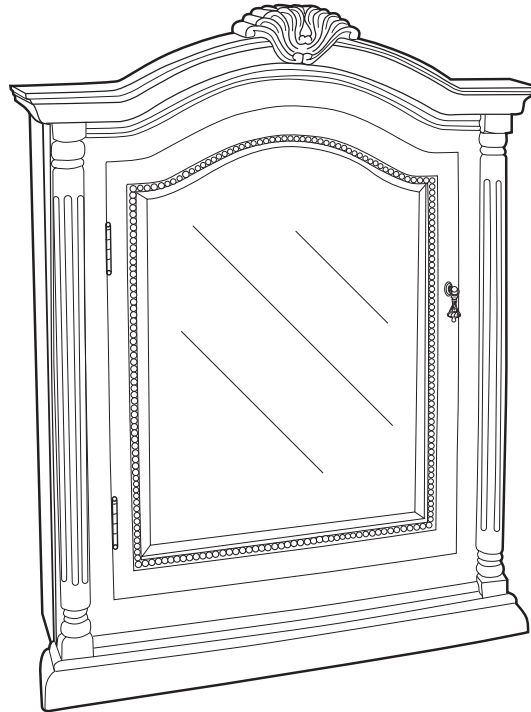
Wingate

Product Codes

WIC2533

Effective Date: 12-21-04

MEDICINE CABINET



Toll Free Customer Assistance

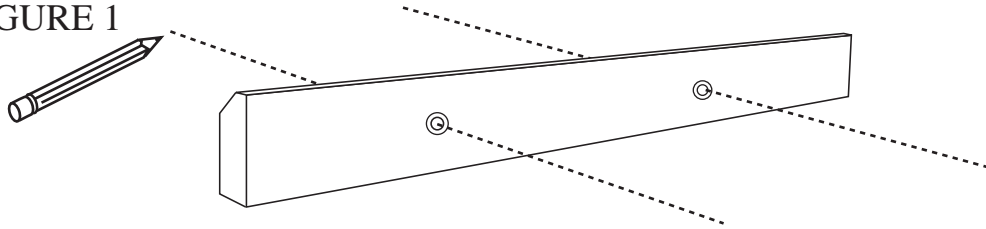
1-800-443-1410

Monday-Friday, 8:30a.m. To 4:30p.m., EST
E-Mail Address: customerservice@fitnjo.com

1 MOUNTING UNIT TO WALL

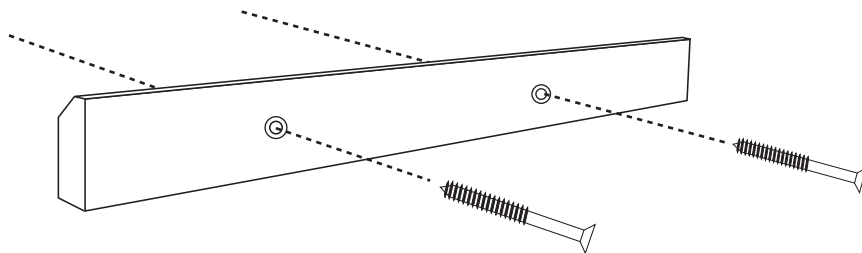
1. Locate two studs in the wall where you want to mount the cabinet. Mark the area and measure the distance between them.
2. Using the Wood Hanging Rail (fig 1) mark where you need the screws in order to line them up with the studs. The Wood Hanging Rail should be fastened to the wall approximately 3" down from the desired height of the cabinet.

FIGURE 1



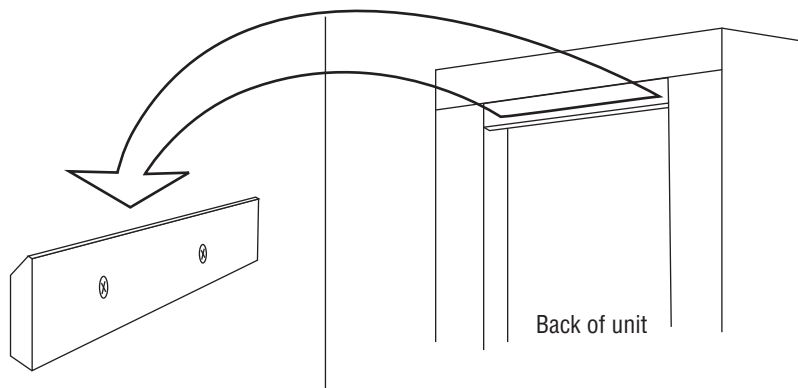
3. Making sure that the Wood Hanging Rail is level, fasten it to the wall as shown (fig 2) into the studs using wood screws. Try to find at least one stud within the marked area. If stud is not available use toggle fastener to secure the cabinet to the wall. (Wood screws and fasteners not included)

FIGURE 2



4. Cabinet is now ready to be mounted to wall. Lift cabinet onto Wood Hanging Rail. (fig 3)

FIGURE 3



5. If the cabinet is to be mounted with the door swing on the opposite side, simply rotate the cabinet 180 degrees and mount the cabinet onto the wood hanging rail (fig. 3). Using a screw driver, remove the machine screw from the back of the door handle, rotate the handle, and reinstall the machine screw into the door handle.

Keeping Your Furniture Beautiful

Quality wood furniture is a significant investment expected to last for generations. To maintain its beauty and help it last, wood furniture needs the right care. Foremost Furniture products are finished with two to three coats of lacquer for extra depth and long-lasting durability. The sheen, or gloss, of the finish ranges from high to low, depending on the piece or collection. The finish protects the wood and adds to its beauty. No finish is totally indestructible. But with regular care, the finish will last much longer, providing years of enjoyment to you.

To protect and care for your furniture, we suggest the following:

- Avoid placing your Foremost furniture in direct sunlight, as sunlight causes fading.
- Clean up spills immediately. Use a blotting rather than a wiping action. Water left over a long period of time will cause white spots in the finish. Alcohol, perfume, after-shave and medications can cause severe finish damage.

Cleaning and polishing your furniture:

We recommend dusting frequently with a clean, soft, dry, lint-free cloth. Clean the surface by rubbing in the direction of the grain. We recommend polishing your furniture approximately every six months, using a clean, soft, lint-free cloth and rubbing the polish in the direction of the grain.

What furniture care products do we recommend?

We recommend polishes which contain detergents, emulsifiers and mineral oil. The detergents clean dirt from the furniture, the emulsifiers give it body to clean and last longer and the mineral oil is left behind as a barrier for dirt and moisture that could harm finishes. There's no grit to harm the finish, no wax to build up and no silicone to raise the sheen and act as a barrier for touch-up and refinishing.

Thank you for purchasing this Foremost furniture product. Your new assembled furniture is constructed using only the finest materials and captures the essence of timeless beauty and style.

At Foremost, each piece of quality cabinetry is designed with the customer in mind. Every aspect of what we do revolves around the customers, needs.

Should you have any questions about your furniture, we would like to address the concern quickly. Our trained staff is ready to help you with quick, efficient service. Please call our toll free Customer Service number.

Toll Free Customer Assistance

1-800-443-1410

Monday-Friday, 9:00a.m. To 5:30p.m., EST

Cabinet Warranty Information

Each cabinet manufactured by Foremost Groups, Inc. is covered by a 5 Year / Limited Lifetime Warranty. We warrant our cabinets to be free from defects in material or workmanship for a period of 5 years from the date of delivery.

Additionally we offer a limited lifetime warranty on our drawer suspension systems. These warranties are made to the original purchaser and are limited to the repair or exchange of any parts which prove defective under normal use during the warranty period.

These warranties do not apply where cabinets have been improperly stored or improperly installed, misused, abused, or modified in any way. They do not cover the costs of removing warranted material or the installation of replacement material.

These warranties are the sole warranties of Foremost Groups, Inc. and in lieu of all other warranties, express implied, including any implied warranties of merchantability and fitness for a particular use. Labor charges for removal of or installation of warranted material as well as incidental or consequential damages are excluded. We do not assume for us any other liability in connection with the sale of our product.

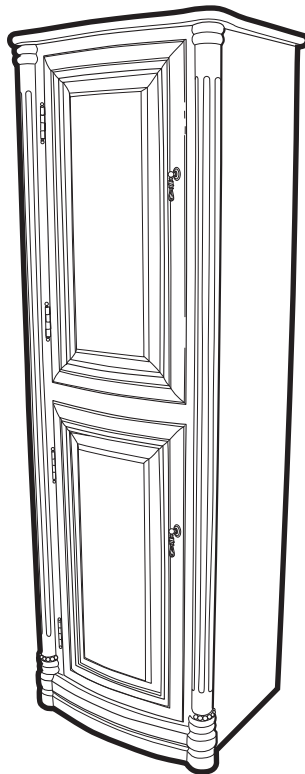
Wingate

Product Codes

WIS1754

Effective Date: 12-21-04

BATH STAND



Toll Free Customer Assistance

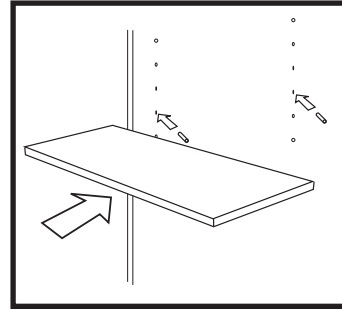
1-800-443-1410

Monday-Friday, 8:30a.m. To 4:30p.m., EST
E-Mail Address: customerservice@fitnjo.com

1

SHELF INSTALLATION

1. Place shelf clips into predrilled holes located inside the Bath Stand on the right and left side walls. Once shelf clips are installed rest wood shelf onto clips.



Keeping Your Furniture Beautiful

Quality wood furniture is a significant investment expected to last for generations. To maintain its beauty and help it last, wood furniture needs the right care. Foremost Furniture products are finished with two to three coats of lacquer for extra depth and long-lasting durability. The sheen, or gloss, of the finish ranges from high to low, depending on the piece or collection. The finish protects the wood and adds to its beauty. No finish is totally indestructible. But with regular care, the finish will last much longer, providing years of enjoyment to you.

To protect and care for your furniture, we suggest the following:

- Avoid placing your Foremost furniture in direct sunlight, as sunlight causes fading.
- Clean up spills immediately. Use a blotting rather than a wiping action. Water left over a long period of time will cause white spots in the finish. Alcohol, perfume, after-shave and medications can cause severe finish damage.

Cleaning and polishing your furniture:

We recommend dusting frequently with a clean, soft, dry, lint-free cloth. Clean the surface by rubbing in the direction of the grain. We recommend polishing your furniture approximately every six months, using a clean, soft, lint-free cloth and rubbing the polish in the direction of the grain.

What furniture care products do we recommend?

We recommend polishes which contain detergents, emulsifiers and mineral oil. The detergents clean dirt from the furniture, the emulsifiers give it body to clean and last longer and the mineral oil is left behind as a barrier for dirt and moisture that could harm finishes. There's no grit to harm the finish, no wax to build up and no silicone to raise the sheen and act as a barrier for touch-up and refinishing.

Thank you for purchasing this Foremost furniture product. Your new assembled furniture is constructed using only the finest materials and captures the essence of timeless beauty and style.

At Foremost, each piece of quality cabinetry is designed with the customer in mind. Every aspect of what we do revolves around the customers, needs.

Should you have any questions about your furniture, we would like to address the concern quickly. Our trained staff is ready to help you with quick, efficient service. Please call our toll free Customer Service number.

Toll Free Customer Assistance

1-800-443-1410

Monday-Friday, 9:00a.m. To 5:30p.m., EST

Cabinet Warranty Information

Each cabinet manufactured by Foremost Groups, Inc. is covered by a 5 Year / Limited Lifetime Warranty. We warrant our cabinets to be free from defects in material or workmanship for a period of 5 years from the date of delivery.

Additionally we offer a limited lifetime warranty on our drawer suspension systems. These warranties are made to the original purchaser and are limited to the repair or exchange of any parts which prove defective under normal use during the warranty period.

These warranties do not apply where cabinets have been improperly stored or improperly installed, misused, abused, or modified in any way. They do not cover the costs of removing warranted material or the installation of replacement material.

These warranties are the sole warranties of Foremost Groups, Inc. and in lieu of all other warranties, express implied, including any implied warranties of merchantability and fitness for a particular use. Labor charges for removal of or installation of warranted material as well as incidental or consequential damages are excluded. We do not assume for us any other liability in connection with the sale of our product.

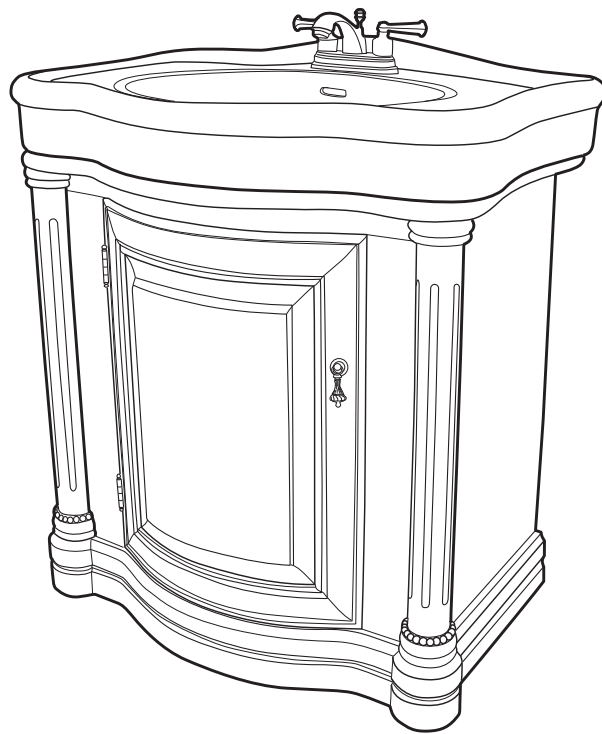
Wingate

Código de los productos

WIA3021

Vigentes a partir del 21-12-04

**JUEGO DE TOCADOR
ENSAMBLADO DE 2 PIEZAS**



Línea gratuita de ayuda al cliente:

1-800-443-1410

De lunes a viernes, de las 9.00 a las 17.30 horas, hora estándar del Este

1 INSTALACIÓN DEL TOCADOR Figura 1

1. Coloque el armario del tocador (A) en el lugar deseado. Verifique que el tocador esté nivelado de la parte delantera a la trasera y de un lado al otro.
2. Si es necesario, coloque cuñas de madera (que no vienen incluidas con el mueble) debajo del tocador para nivelarlo.
3. Verifique nuevamente la nivelación.
4. Trate de ubicar al menos un larguero dentro del área del tocador. Fije el tocador a la pared con tornillos para madera por su listón horizontal superior (E). (No se suministra las piezas de montaje, los tornillos ni las anclas)
5. Recorte los tramos expuestos de las cuñas.

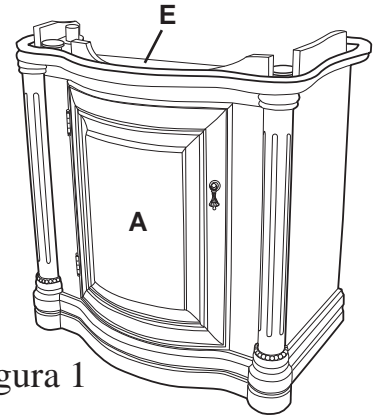


Figura 1

HUSO DE MADERA (4 por lo general)

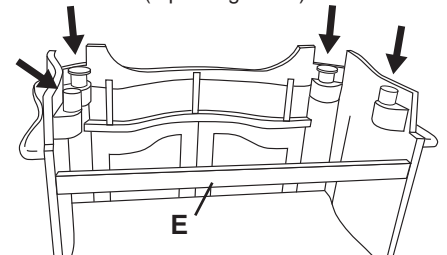


Figura 2

2 INSTALACIÓN DE LA ENCIMERA PORCELANA VITRIFICADA Figura 2 & 3

1. Coloque sobre el tocador la encimera de porcelana vitrificada. Ubique los cuatro husos de madera dentro de las cuatro esquinas del bastidor del tocador. Regule la altura de los vástagos hasta que la encimera quede nivelada en el bastidor del tocador.
2. Retire la encimera. Coloque una gota de masilla sobre los cuatro husos de madera. (La masilla no viene incluida con el mueble)
3. Coloque cuidadosamente la encimera (fig. 3) en el tocador. Deje que la masilla se seque por completo según las instrucciones del fabricante.

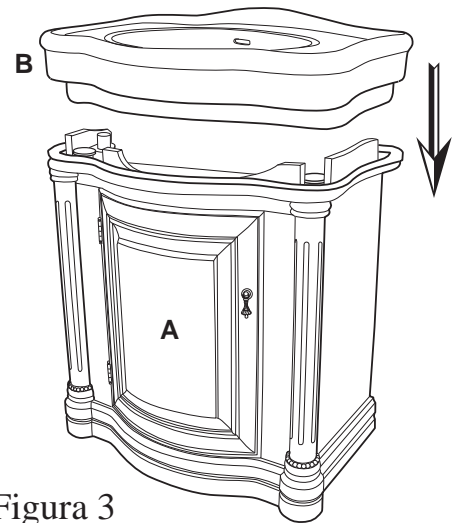
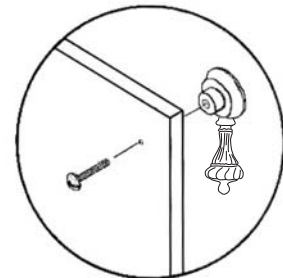


Figura 3

3 INSTALACIÓN DE LA PERILLA / TIRADOR Figura 4

1. Coloque tornillos para metales a través de los orificios pretaladrados en la puerta o en el cajón. Alinee la perilla o el tirador con los tornillos para metales y ajústelos con un destornillador.
2. Repita el proceso para las demás puertas o cajones.



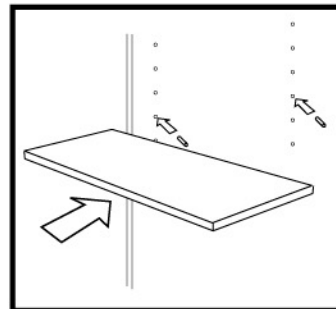
INSTALACIÓN DE LA PERILLA / TIRADOR

Figura 4

4

INSTALACIÓN DE LA REPISA

1. Coloque los soportes de repisa en los orificios pretaladrados ubicados en la parte interior del armario del tocador, en las paredes izquierda y derecha. Una vez que los haya instalado, apoye la repisa sobre éstos.



Cómo conservar la belleza de sus muebles

Los muebles finos de madera pueden ser una inversión considerable, que se espera que sirvan por generaciones. Para conservar su belleza y ayudar a que los muebles de madera duren mucho tiempo, es necesario darles el cuidado adecuado. Los productos Foremost Furniture son acabados con dos o tres capas de laca para lograr una mejor profundidad y durabilidad. El brillo, o lustre, del acabado varía desde alto hasta bajo, lo que depende del mueble o de la colección. El acabado protege la madera y realza su belleza. Ningún acabado es completamente indestructible... pero cuidándolo regularmente, puede durar un tiempo mucho mayor, y ofrecerle muchos años de satisfacción.

Para proteger y conservar sus muebles, le ofrecemos las siguientes sugerencias:

- Evite colocar sus muebles Foremost Furniture bajo la luz solar directa, ya que ésta provoca su descoloración.
- Limpie inmediatamente los derrames. Séquelos absorbiendo con un paño, en lugar de frotar. El agua que se queda por mucho tiempo deja manchas blanquecinas en el acabado. El alcohol, los perfumes, las lociones para después de afeitarse y los medicamentos pueden causar mucho daño al acabado.

Cómo limpiar y lustrar sus muebles:

Recomendamos limpiar el polvo con frecuencia con un paño limpio, seco, suave y sin pelusas. Limpie la superficie frotando en la dirección de la veta de la madera. Recomendamos lustrar sus muebles cada seis meses aproximadamente, con paño limpio, seco, suave y sin pelusas, frotándolos en la dirección de la veta de la madera.

¿Qué productos para la conservación de muebles recomendamos?

Recomendamos productos para lustrar muebles que contengan detergentes, emulsificantes y aceite mineral. Los detergentes limpian la suciedad de los muebles, los emulsificantes le dan cuerpo para que limpie y dure un mayor tiempo, y el aceite mineral deja una capa de protección contra la suciedad y la humedad que pudieran dañar el acabado. No contienen partículas abrasivas que dañen el acabado, cera que se acumule ni silicona que aumente el brillo, y actúan como una barrera para los retoques y la restauración del acabado.

Gracias por comprar este mueble Foremost Furniture. Su nuevo mueble armado ha sido fabricado usando únicamente los materiales más finos y capta la esencia de la belleza y del estilo de elegancia eterna.

En Foremost Furniture, cada mueble de calidad se hace pensando en el cliente. Cada aspecto de lo que hacemos gira en torno a las necesidades del cliente.

Si tiene alguna pregunta acerca de su mueble, nos gustaría atenderla con prontitud. Nuestro personal capacitado está listo para ayudarlo y ofrecerle un servicio rápido y eficiente. Sírvase llamar al teléfono de llamada gratuita del Servicio de atención al cliente.

Línea gratuita de ayuda al cliente:

1-800-443-1410

De lunes a viernes, de las 9.00 a las 17.30 horas, hora estándar del Este

Información sobre la garantía del mueble

Cada mueble fabricado por Foremost Groups, Inc., está cubierto por una garantía de 5 años / limitada para toda la vida. Garantizamos, por un período de 5 años contado a partir de la fecha de entrega, que nuestros muebles no tienen defectos de materiales ni de mano de obra.

Además, ofrecemos una garantía limitada para toda la vida sobre los sistemas de suspensión de los cajones. Estas garantías se otorgan al comprador original y quedan limitadas a la reparación o al cambio de cualquier pieza que se demuestre que se encuentra defectuosa en condiciones normales de uso, durante el período de la vigencia de la misma.

Estas garantías no amparan los casos de muebles incorrectamente guardados o armados, ni el maltrato, abuso o las alteraciones de cualquier tipo. Las garantías no cubren los costos de remoción de piezas amparadas ni la instalación de piezas cambiadas.

Estas son las únicas garantías que otorga Foremost Groups, Inc., y se otorgan en lugar de toda otra garantía, sea expresa o implícita, incluyendo las garantías implícitas sobre la idoneidad del producto para su comercialización o para un uso determinado. Quedan excluidos los gastos de mano de obra de remoción o de instalación de las piezas amparadas, así como los daños y perjuicios accesorios o indirectos. No asumimos ninguna otra responsabilidad en relación con la venta de este producto.

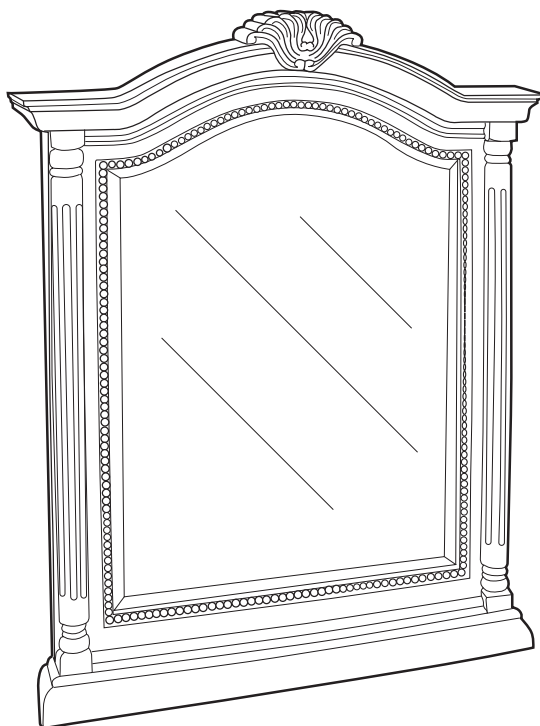
Wingate

Código de los productos

WIM2635

Vigentes a partir del 21-12-04

ESPEJO



Línea gratuita de ayuda al cliente:

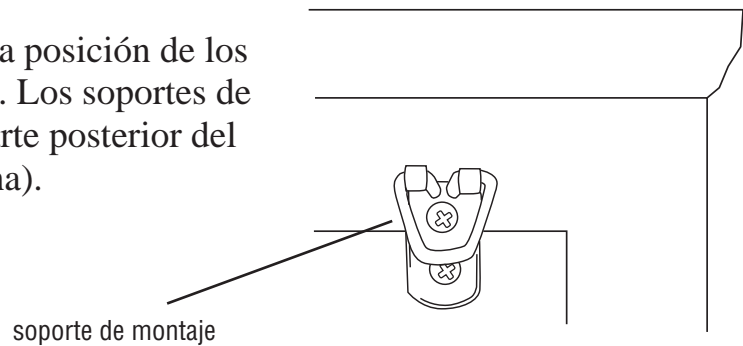
1-800-443-1410

De lunes a viernes, de las 9.00 a las 17.30 horas, hora estándar del Este

Lea las instrucciones antes de armar el mueble

1 INSTALACIÓN DEL ESPEJO EN LA PARED

1. Pida a una persona que le ayude a sostener el espejo contra la pared en el lugar donde va a instalarlo. Marque en la pared la parte inferior y la parte superior del espejo en la posición en que desea instalarlo. Use un nivel para ajustar la vertical y marque el punto donde la línea superior se corta con la vertical.
2. Con una regla, mida y marque la posición de los soportes de montaje en la pared. Los soportes de montaje están ubicados en la parte posterior del espejo. (Vea la fig. 1 a la derecha).



3. Trate de ubicar al menos un larguero dentro del área marcada. Si no dispone de ningún larguero, use un ancla articulada para fijar el espejo en la pared (las anclas no vienen con el mueble). Instale en la pared el tornillo de montaje en la posición adecuada, dejando una distancia aproximada de 1/8" de la pared.
4. Alinee los soportes de montaje con los tornillos recientemente instalados y cuelgue el espejo.

Cómo conservar la belleza de sus muebles

Los muebles finos de madera pueden ser una inversión considerable, que se espera que sirvan por generaciones. Para conservar su belleza y ayudar a que los muebles de madera duren mucho tiempo, es necesario darles el cuidado adecuado. Los productos Foremost Furniture son acabados con dos o tres capas de laca para lograr una mejor profundidad y durabilidad. El brillo, o lustre, del acabado varía desde alto hasta bajo, lo que depende del mueble o de la colección. El acabado protege la madera y realza su belleza. Ningún acabado es completamente indestructible... pero cuidándolo regularmente, puede durar un tiempo mucho mayor, y ofrecerle muchos años de satisfacción.

Para proteger y conservar sus muebles, le ofrecemos las siguientes sugerencias:

- Evite colocar sus muebles Foremost Furniture bajo la luz solar directa, ya que ésta provoca su descoloración.
- Limpie inmediatamente los derrames. Séquelos absorbiendo con un paño, en lugar de frotar. El agua que se queda por mucho tiempo deja manchas blanquecinas en el acabado. El alcohol, los perfumes, las lociones para después de afeitarse y los medicamentos pueden causar mucho daño al acabado.

Cómo limpiar y lustrar sus muebles:

Recomendamos limpiar el polvo con frecuencia con un paño limpio, seco, suave y sin pelusas. Limpie la superficie frotando en la dirección de la veta de la madera. Recomendamos lustrar sus muebles cada seis meses aproximadamente, con paño limpio, seco, suave y sin pelusas, frotándolos en la dirección de la veta de la madera.

¿Qué productos para la conservación de muebles recomendamos?

Recomendamos productos para lustrar muebles que contengan detergentes, emulsificantes y aceite mineral. Los detergentes limpian la suciedad de los muebles, los emulsificantes le dan cuerpo para que limpie y dure un mayor tiempo, y el aceite mineral deja una capa de protección contra la suciedad y la humedad que pudieran dañar el acabado. No contienen partículas abrasivas que dañen el acabado, cera que se acumule ni silicona que aumente el brillo, y actúan como una barrera para los retoques y la restauración del acabado.

Gracias por comprar este mueble Foremost Furniture. Su nuevo mueble armado ha sido fabricado usando únicamente los materiales más finos y capta la esencia de la belleza y del estilo de elegancia eterna.

En Foremost Furniture, cada mueble de calidad se hace pensando en el cliente. Cada aspecto de lo que hacemos gira en torno a las necesidades del cliente.

Si tiene alguna pregunta acerca de su mueble, nos gustaría atenderla con prontitud. Nuestro personal capacitado está listo para ayudarlo y ofrecerle un servicio rápido y eficiente. Sírvase llamar al teléfono de llamada gratuita del Servicio de atención al cliente.

Línea gratuita de ayuda al cliente:

1-800-443-1410

De lunes a viernes, de las 9.00 a las 17.30 horas, hora estándar del Este

Información sobre la garantía del mueble

Cada mueble fabricado por Foremost Groups, Inc., está cubierto por una garantía de 5 años / limitada para toda la vida. Garantizamos, por un período de 5 años contado a partir de la fecha de entrega, que nuestros muebles no tienen defectos de materiales ni de mano de obra.

Además, ofrecemos una garantía limitada para toda la vida sobre los sistemas de suspensión de los cajones. Estas garantías se otorgan al comprador original y quedan limitadas a la reparación o al cambio de cualquier pieza que se demuestre que se encuentra defectuosa en condiciones normales de uso, durante el período de la vigencia de la misma.

Estas garantías no amparan los casos de muebles incorrectamente guardados o armados, ni el maltrato, abuso o las alteraciones de cualquier tipo. Las garantías no cubren los costos de remoción de piezas amparadas ni la instalación de piezas cambiadas.

Estas son las únicas garantías que otorga Foremost Groups, Inc., y se otorgan en lugar de toda otra garantía, sea expresa o implícita, incluyendo las garantías implícitas sobre la idoneidad del producto para su comercialización o para un uso determinado. Quedan excluidos los gastos de mano de obra de remoción o de instalación de las piezas amparadas, así como los daños y perjuicios accesorios o indirectos. No asumimos ninguna otra responsabilidad en relación con la venta de este producto.

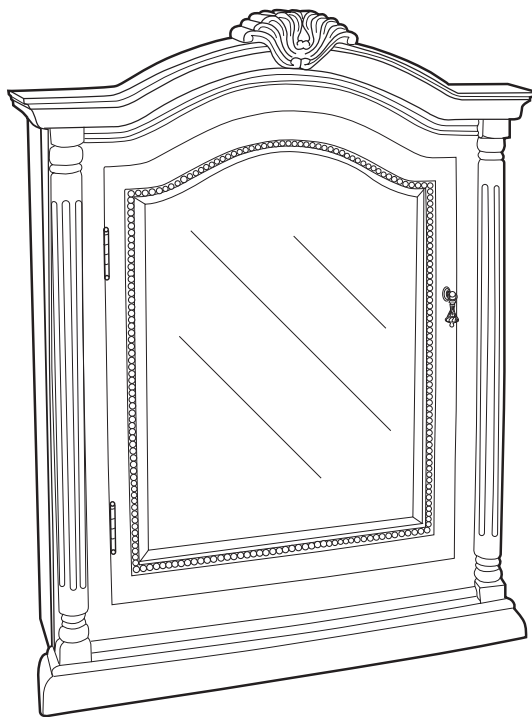
Wingate

Código de los productos

WIC2533

Vigentes a partir del 21-12-04

BOTIQUÍN



Línea gratuita de ayuda al cliente:

1-800-443-1410

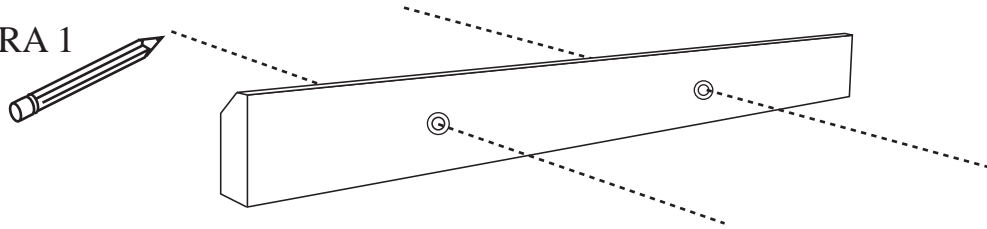
De lunes a viernes, de las 9.00 a las 17.30 horas, hora estándar del Este

1

CÓMO INSTALAR LA UNIDAD EN LA PARED

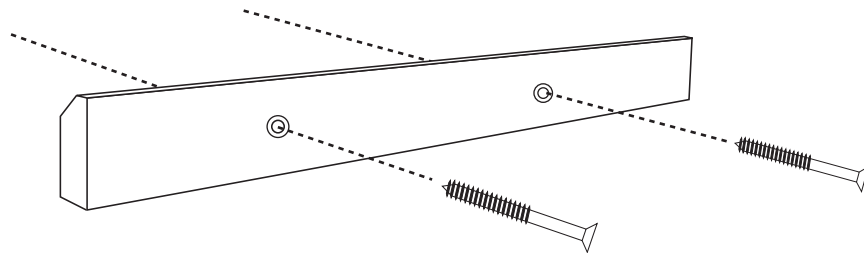
1. Ubique dos largueros en la pared donde desee instalar el armario, márquelos y mida la distancia que hay entre ambos.
2. Usando el listón de montaje (fig. 1), marque el lugar donde deben ir los tornillos para que pueda alinearlos con los largueros. Debe fijar el listón de madera a la pared aproximadamente a unas 3" por debajo del lugar donde desea instalar el armario.

FIGURA 1



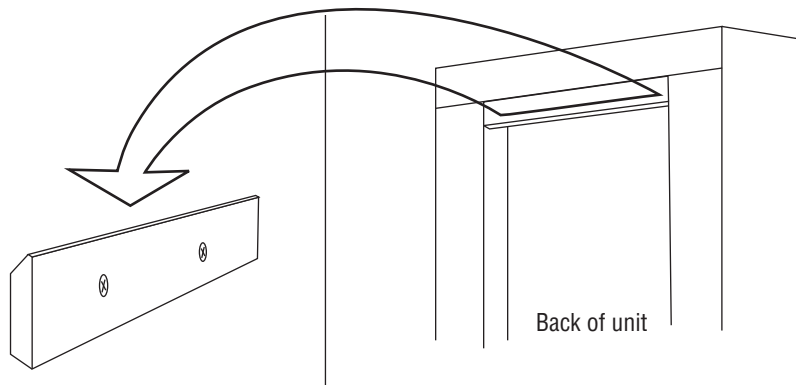
3. Verifique que el listón de montaje esté bien nivelado y luego fíjelo en la pared como se ilustra (fig.2), enroscando en los largueros los tornillos para madera. Trate de encontrar al menos un larguero dentro del área marcada. Si no dispone de ningún larguero, use un ancla articulada para fijar el mueble en la pared. (No vienen con el mueble ni los tornillos para madera ni los anclas).

FIGURA 2



4. Ahora, el mueble está listo para instalarlo en la pared. Levante el mueble y colóquelo sobre el listón de montaje (fig. 3).

FIGURA 3



5. Si va a instalar el mueble de manera que la puerta se abra en el sentido opuesto, simplemente gírelo 180 grados e instálelo sobre el listón de montaje (fig. 3). Con un destornillador, retire el tornillo para metales de la parte posterior del tirador de la puerta, gire el tirador y vuelva a colocarle el tornillo.

Cómo conservar la belleza de sus muebles

Los muebles finos de madera pueden ser una inversión considerable, que se espera que sirvan por generaciones. Para conservar su belleza y ayudar a que los muebles de madera duren mucho tiempo, es necesario darles el cuidado adecuado. Los productos Foremost Furniture son acabados con dos o tres capas de laca para lograr una mejor profundidad y durabilidad. El brillo, o lustre, del acabado varía desde alto hasta bajo, lo que depende del mueble o de la colección. El acabado protege la madera y realza su belleza. Ningún acabado es completamente indestructible... pero cuidándolo regularmente, puede durar un tiempo mucho mayor, y ofrecerle muchos años de satisfacción.

Para proteger y conservar sus muebles, le ofrecemos las siguientes sugerencias:

- Evite colocar sus muebles Foremost Furniture bajo la luz solar directa, ya que ésta provoca su descoloración.
- Limpie inmediatamente los derrames. Séquelos absorbiendo con un paño, en lugar de frotar. El agua que se queda por mucho tiempo deja manchas blanquecinas en el acabado. El alcohol, los perfumes, las lociones para después de afeitarse y los medicamentos pueden causar mucho daño al acabado.

Cómo limpiar y lustrar sus muebles:

Recomendamos limpiar el polvo con frecuencia con un paño limpio, seco, suave y sin pelusas. Limpie la superficie frotando en la dirección de la veta de la madera. Recomendamos lustrar sus muebles cada seis meses aproximadamente, con paño limpio, seco, suave y sin pelusas, frotándolos en la dirección de la veta de la madera.

¿Qué productos para la conservación de muebles recomendamos?

Recomendamos productos para lustrar muebles que contengan detergentes, emulsificantes y aceite mineral. Los detergentes limpian la suciedad de los muebles, los emulsificantes le dan cuerpo para que limpie y dure un mayor tiempo, y el aceite mineral deja una capa de protección contra la suciedad y la humedad que pudieran dañar el acabado. No contienen partículas abrasivas que dañen el acabado, cera que se acumule ni silicona que aumente el brillo, y actúan como una barrera para los retoques y la restauración del acabado.

Gracias por comprar este mueble Foremost Furniture. Su nuevo mueble armado ha sido fabricado usando únicamente los materiales más finos y capta la esencia de la belleza y del estilo de elegancia eterna.

En Foremost Furniture, cada mueble de calidad se hace pensando en el cliente. Cada aspecto de lo que hacemos gira en torno a las necesidades del cliente.

Si tiene alguna pregunta acerca de su mueble, nos gustaría atenderla con prontitud. Nuestro personal capacitado está listo para ayudarlo y ofrecerle un servicio rápido y eficiente. Sírvase llamar al teléfono de llamada gratuita del Servicio de atención al cliente.

Línea gratuita de ayuda al cliente:

1-800-443-1410

De lunes a viernes, de las 9.00 a las 17.30 horas, hora estándar del Este

Información sobre la garantía del mueble

Cada mueble fabricado por Foremost Groups, Inc., está cubierto por una garantía de 5 años / limitada para toda la vida. Garantizamos, por un período de 5 años contado a partir de la fecha de entrega, que nuestros muebles no tienen defectos de materiales ni de mano de obra.

Además, ofrecemos una garantía limitada para toda la vida sobre los sistemas de suspensión de los cajones. Estas garantías se otorgan al comprador original y quedan limitadas a la reparación o al cambio de cualquier pieza que se demuestre que se encuentra defectuosa en condiciones normales de uso, durante el período de la vigencia de la misma.

Estas garantías no amparan los casos de muebles incorrectamente guardados o armados, ni el maltrato, abuso o las alteraciones de cualquier tipo. Las garantías no cubren los costos de remoción de piezas amparadas ni la instalación de piezas cambiadas.

Estas son las únicas garantías que otorga Foremost Groups, Inc., y se otorgan en lugar de toda otra garantía, sea expresa o implícita, incluyendo las garantías implícitas sobre la idoneidad del producto para su comercialización o para un uso determinado. Quedan excluidos los gastos de mano de obra de remoción o de instalación de las piezas amparadas, así como los daños y perjuicios accesorios o indirectos. No asumimos ninguna otra responsabilidad en relación con la venta de este producto.

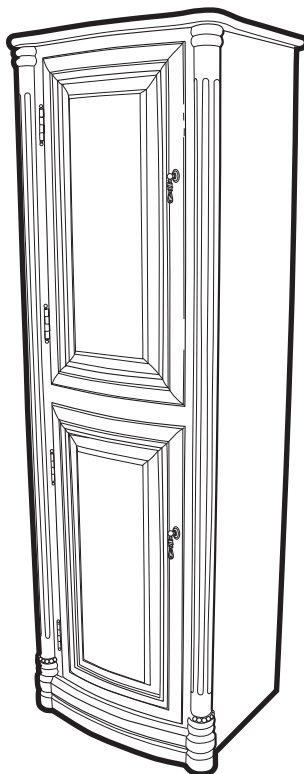
Wingate

Código de los productos

WIS1754

Vigentes a partir del 21-12-04

BASE PARA EL BAÑO



Línea gratuita de ayuda al cliente:

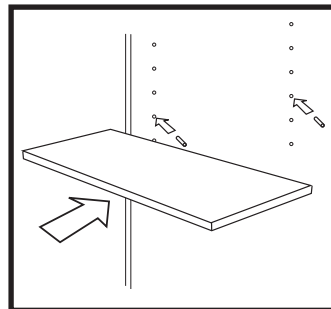
1-800-443-1410

De lunes a viernes, de las 9.00 a las 17.30 horas, hora estándar del Este

1

INSTALACIÓN DE LA REPISA

1. Coloque los soportes de repisa en los orificios pretaladrados ubicados en la parte interior del armario de piso, en las paredes izquierda y derecha. Una vez que los haya instalado, apoye la repisa sobre éstos.



Cómo conservar la belleza de sus muebles

Los muebles finos de madera pueden ser una inversión considerable, que se espera que sirvan por generaciones. Para conservar su belleza y ayudar a que los muebles de madera duren mucho tiempo, es necesario darles el cuidado adecuado. Los productos Foremost Furniture son acabados con dos o tres capas de laca para lograr una mejor profundidad y durabilidad. El brillo, o lustre, del acabado varía desde alto hasta bajo, lo que depende del mueble o de la colección. El acabado protege la madera y realza su belleza. Ningún acabado es completamente indestructible... pero cuidándolo regularmente, puede durar un tiempo mucho mayor, y ofrecerle muchos años de satisfacción.

Para proteger y conservar sus muebles, le ofrecemos las siguientes sugerencias:

- Evite colocar sus muebles Foremost Furniture bajo la luz solar directa, ya que ésta provoca su descoloración.
- Limpie inmediatamente los derrames. Séquelos absorbiendo con un paño, en lugar de frotar. El agua que se queda por mucho tiempo deja manchas blanquecinas en el acabado. El alcohol, los perfumes, las lociones para después de afeitarse y los medicamentos pueden causar mucho daño al acabado.

Cómo limpiar y lustrar sus muebles:

Recomendamos limpiar el polvo con frecuencia con un paño limpio, seco, suave y sin pelusas. Limpie la superficie frotando en la dirección de la veta de la madera. Recomendamos lustrar sus muebles cada seis meses aproximadamente, con paño limpio, seco, suave y sin pelusas, frotándolos en la dirección de la veta de la madera.

¿Qué productos para la conservación de muebles recomendamos?

Recomendamos productos para lustrar muebles que contengan detergentes, emulsificantes y aceite mineral. Los detergentes limpian la suciedad de los muebles, los emulsificantes le dan cuerpo para que limpie y dure un mayor tiempo, y el aceite mineral deja una capa de protección contra la suciedad y la humedad que pudieran dañar el acabado. No contienen partículas abrasivas que dañen el acabado, cera que se acumule ni silicona que aumente el brillo, y actúan como una barrera para los retoques y la restauración del acabado.

Gracias por comprar este mueble Foremost Furniture. Su nuevo mueble armado ha sido fabricado usando únicamente los materiales más finos y capta la esencia de la belleza y del estilo de elegancia eterna.

En Foremost Furniture, cada mueble de calidad se hace pensando en el cliente. Cada aspecto de lo que hacemos gira en torno a las necesidades del cliente.

Si tiene alguna pregunta acerca de su mueble, nos gustaría atenderla con prontitud. Nuestro personal capacitado está listo para ayudarlo y ofrecerle un servicio rápido y eficiente. Sírvase llamar al teléfono de llamada gratuita del Servicio de atención al cliente.

Línea gratuita de ayuda al cliente:

1-800-443-1410

De lunes a viernes, de las 9.00 a las 17.30 horas, hora estándar del Este

Información sobre la garantía del mueble

Cada mueble fabricado por Foremost Groups, Inc., está cubierto por una garantía de 5 años / limitada para toda la vida. Garantizamos, por un período de 5 años contado a partir de la fecha de entrega, que nuestros muebles no tienen defectos de materiales ni de mano de obra.

Además, ofrecemos una garantía limitada para toda la vida sobre los sistemas de suspensión de los cajones. Estas garantías se otorgan al comprador original y quedan limitadas a la reparación o al cambio de cualquier pieza que se demuestre que se encuentra defectuosa en condiciones normales de uso, durante el período de la vigencia de la misma.

Estas garantías no amparan los casos de muebles incorrectamente guardados o armados, ni el maltrato, abuso o las alteraciones de cualquier tipo. Las garantías no cubren los costos de remoción de piezas amparadas ni la instalación de piezas cambiadas.

Estas son las únicas garantías que otorga Foremost Groups, Inc., y se otorgan en lugar de toda otra garantía, sea expresa o implícita, incluyendo las garantías implícitas sobre la idoneidad del producto para su comercialización o para un uso determinado. Quedan excluidos los gastos de mano de obra de remoción o de instalación de las piezas amparadas, así como los daños y perjuicios accesorios o indirectos. No asumimos ninguna otra responsabilidad en relación con la venta de este producto.