

# Marina Door and panel

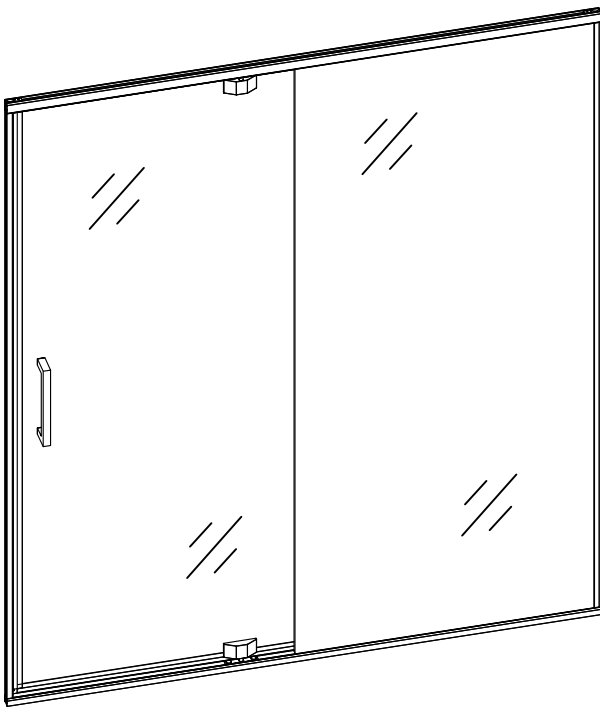
# FOREMOST

Customer Service 1-888-620-3667

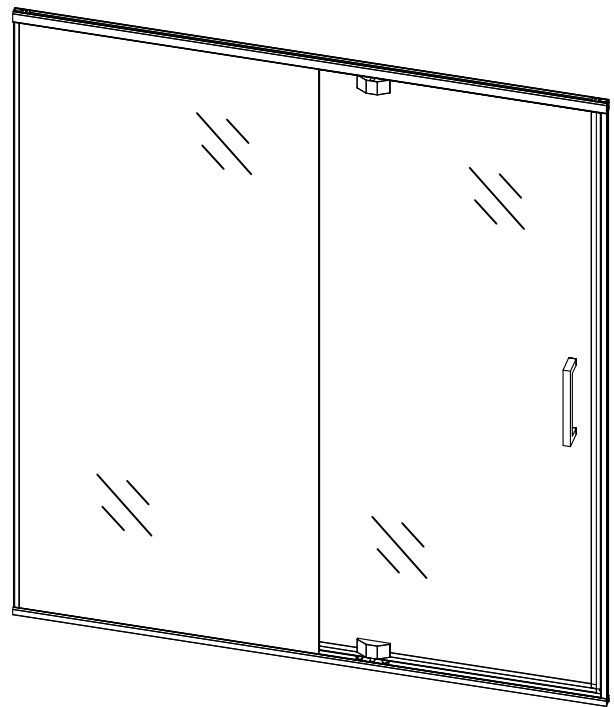
COPY THE MODEL NUMBER FOR YOUR RECORDS HERE #

Please visit us on YouTube and view our shower door installation videos. One may be available for your installation.  
[www.youtube.com/foremostgroups](http://www.youtube.com/foremostgroups)

READ THE INSTRUCTIONS CAREFULLY, familiarize yourself with all the parts as shown in the exploded view. The exploded view will also provide a helpful reference when relating to the location of the various parts and how they are mounted.



Left Hand Install

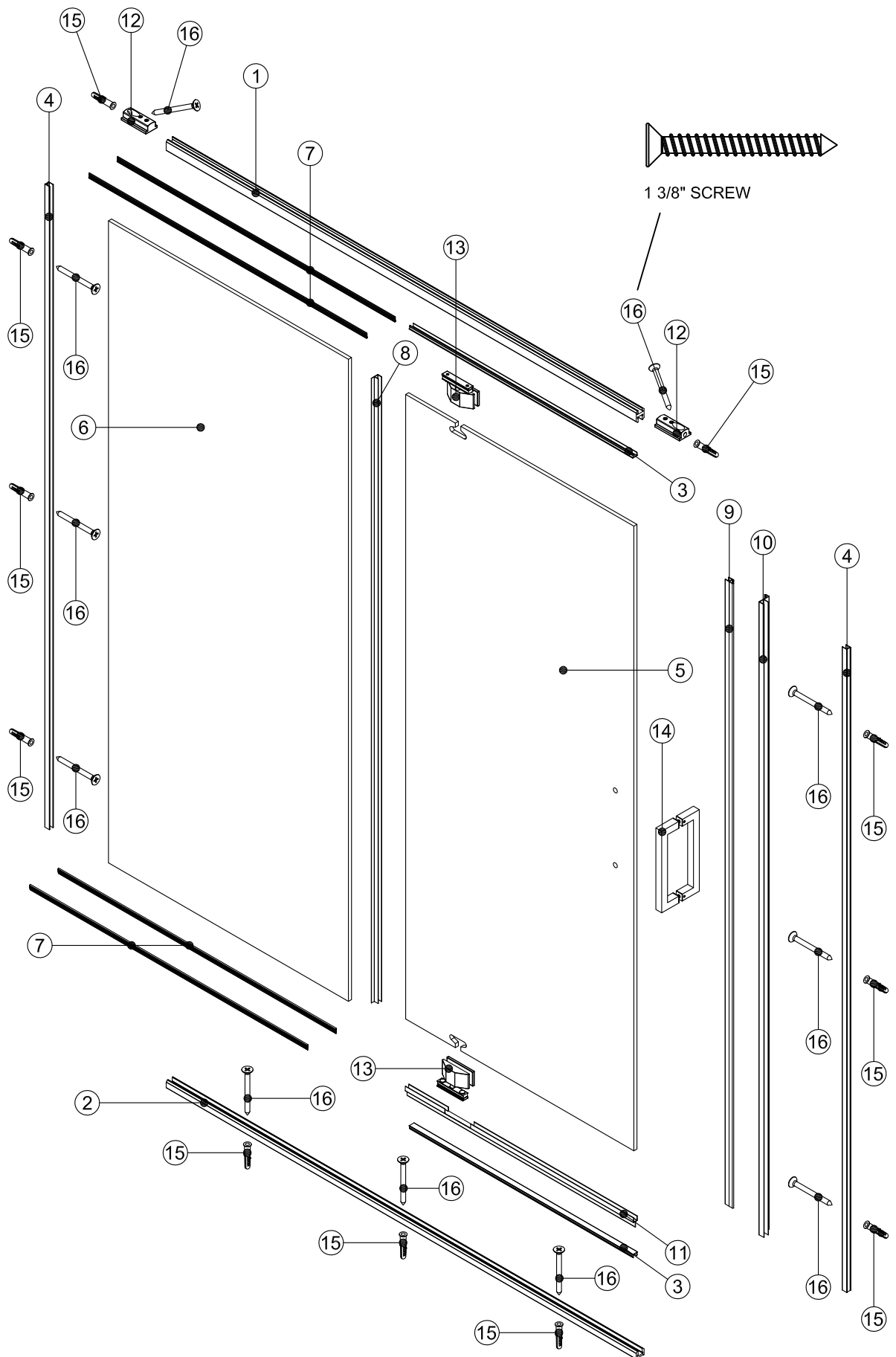


Right Hand Install

# Marina Door and panel

# FOREMOST

Customer Service 1-888-620-3667



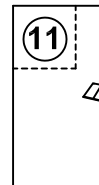
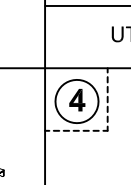
# Marina Door and panel

# FOREMOST

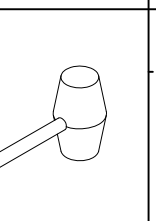
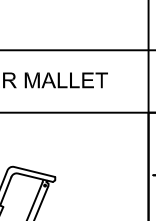
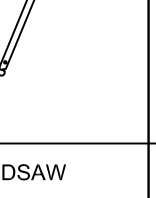

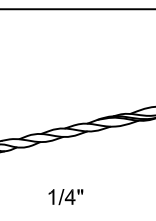
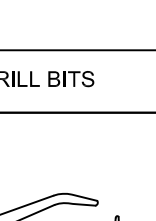


Customer Service 1-888-620-3667

## PARTS LIST

				
TOP TRACK (1 pcs)	BOTTOM TRACK (1 pcs)	TRACK COVER (2 pcs)	WALL JAMB (2 pcs)	DOOR (1 pcs)
				
FIXED PANEL (1 pcs)	WEDGE VINLY (4 pcs)	VINLY (1 pcs)	MAGNETIC DOOR SEAL (1 pcs)	MAGNETIC PLASTIC (1 pcs)
				
PLASTIC SWEEP(1 pcs)	MOUNTING BLOCKS(2 pcs)	HINGE(2 pcs)	HANDLE (1 pcs)	WALL PLUG (11 pcs)
	<p><b>WARNING: Safety glasses should always be worn when working with tempered glass</b></p>			
SCREW 1 3/8 " (11 pcs)				

	
UTILITY KNIFE	WRENCH

## Recommended TOOLS

				
SILICONE	DRILL	MEASURE TAPE	RUBBER MALLET	DRILL BITS
				
LEVEL	PENCIL	SCREW DRIVERS	HANDSAW	SAFETY GLASSES

# Marina Door and panel

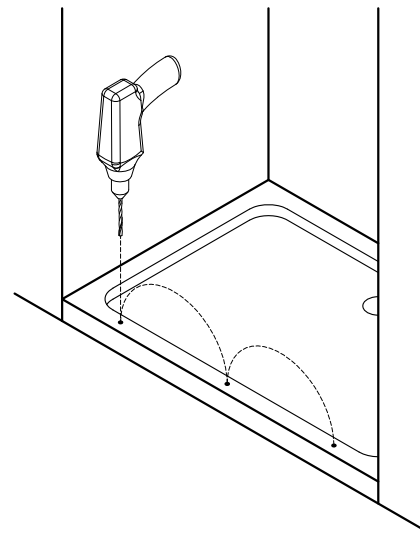
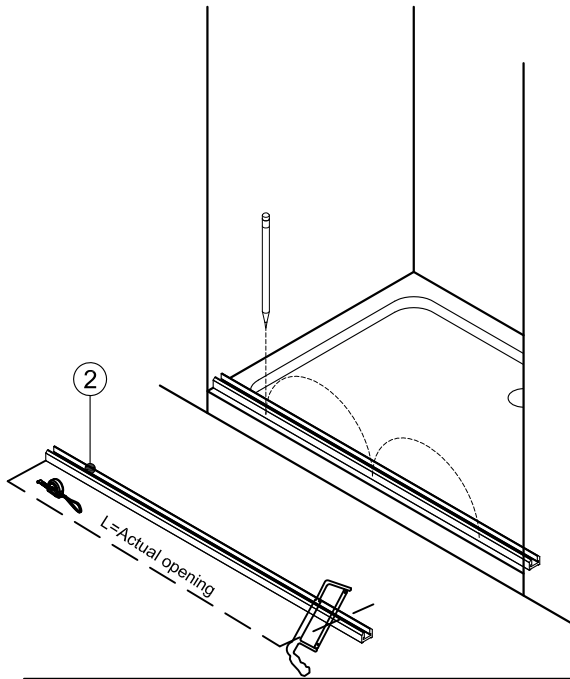
# FOREMOST

Customer Service 1-888-620-3667

**STEP 1:** Cut bottom track ② to exact size of the opening , Then set the bottom track in place and mark the hole locations.

**STEP 2:** Remove the bottom track and drill 3 holes about 1 1/2" deep at the previously marked locations.

**Note :** When drilling into ceramic, glass or stone ,using a 1/4" Masonry drill bit ;When installing on fiberglass or acrylic using 1/8" drill bit and discard the wall plugs.

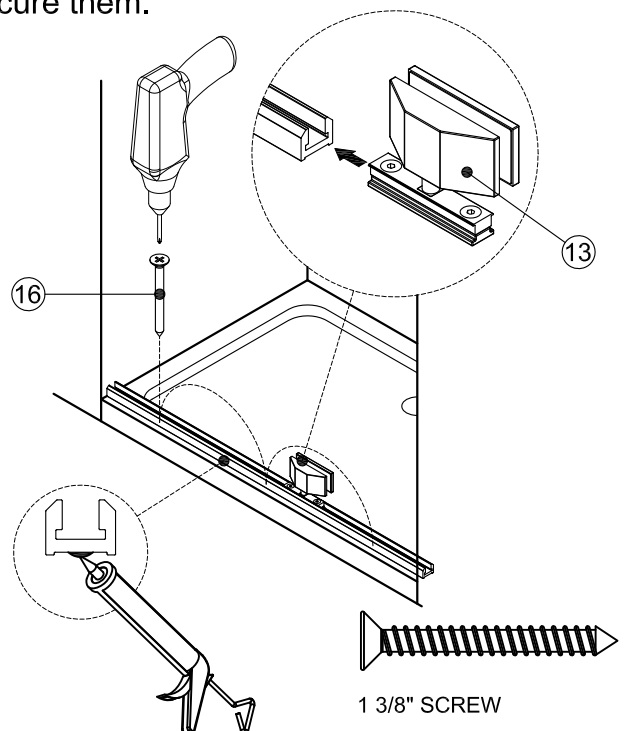
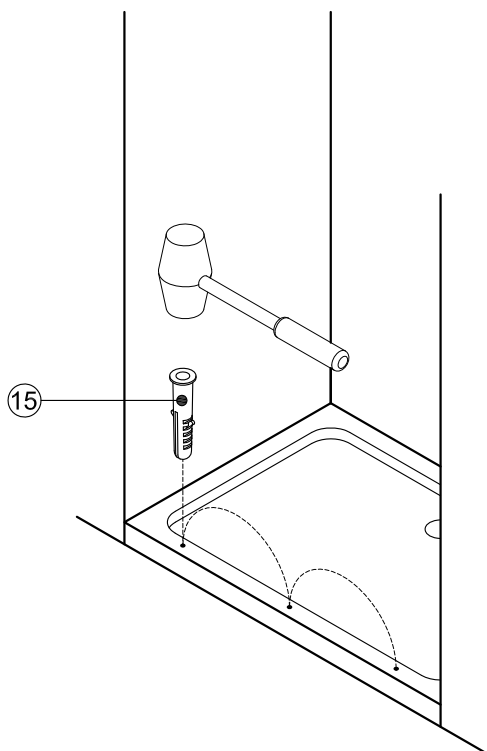


**STEP 3:** Using a rubber mallet ,insert the wall plugs .

**STEP 4**

4.1 As shown ,slide the hinge ⑬ into the bottom track ② ,Don't to fasten the screws.

4.2 Run a thin bead of silicone caulk down the entire length of the track ,place the track into position and press down firmly along length of the track., Then Using 1 3/8" screw to secure them.



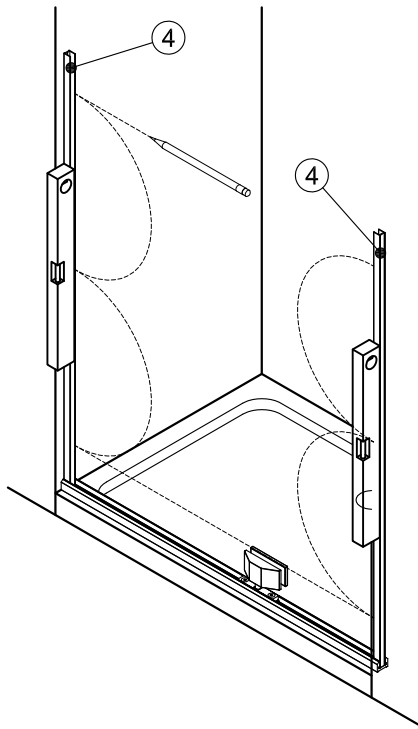
1 3/8" SCREW

# Marina Door and panel

# FOREMOST

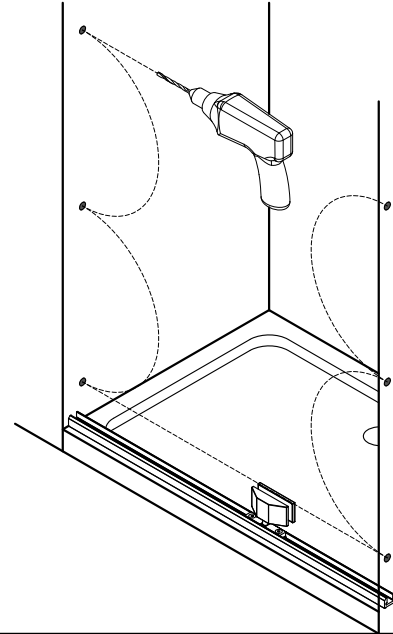
Customer Service 1-888-620-3667

STEP 5: Place wall jamb ④ into bottom track ② using a level to insure jamb plumb, Mark hole locations.

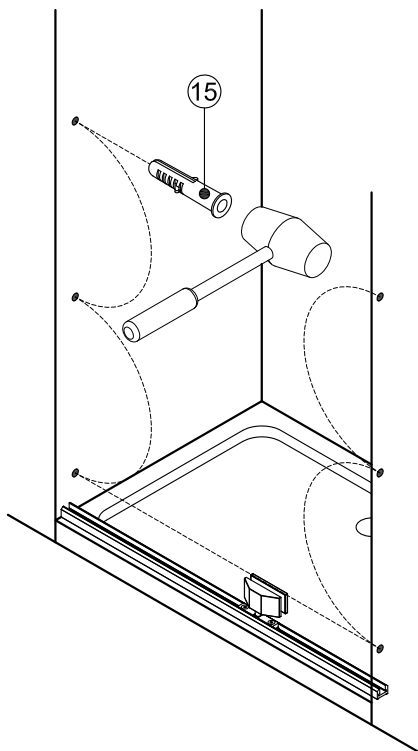


STEP 6: Remove Jamb and drill holes about 1 1/2" deep at each of marked locations .

**Note :** When drilling into ceramic ,glass or stone ,using a 1/4" Masonry drill bit ;When installing on fiberglass or acrylic using 1/8" drill bit and discard the wall plugs.



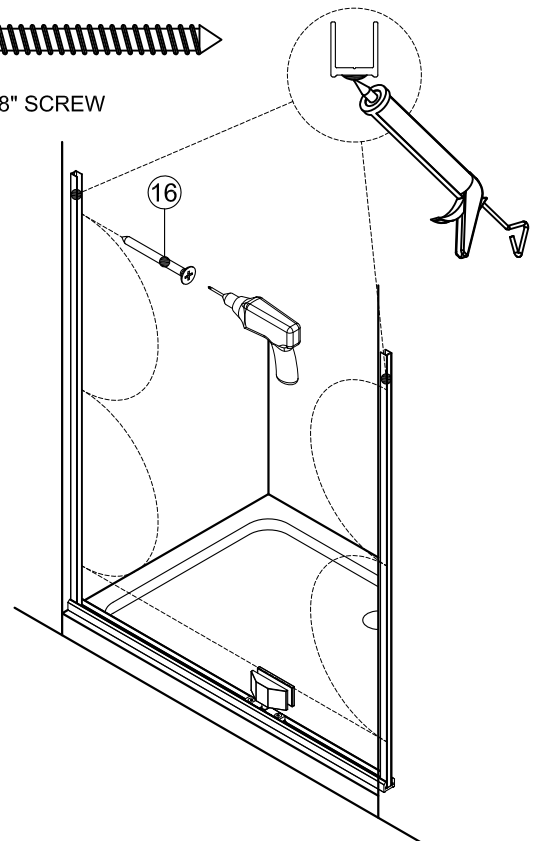
STEP 7: Using a rubber mallet ,insert the wall plugs ⑮ .



STEP 8: Dab silicone into all 3 holes on each side ,set wall jamb ④ in place and using 1 3/8" screw to attach on the wall.



1 3/8" SCREW

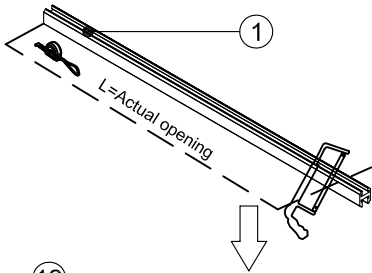


# Marina Door and panel

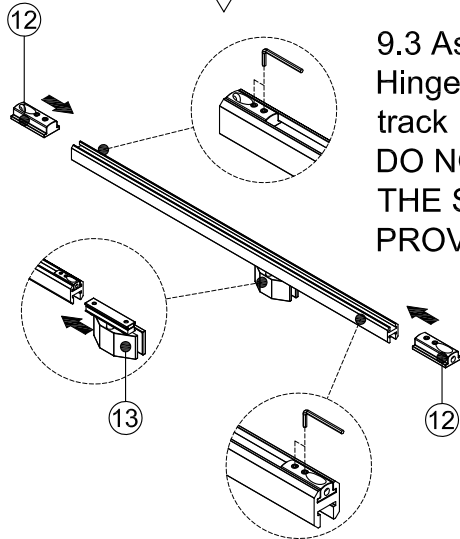
# FOREMOST

Customer Service 1-888-620-3667

**STEP 9** 9.1 Cut Top track ① to exact size of the opening.

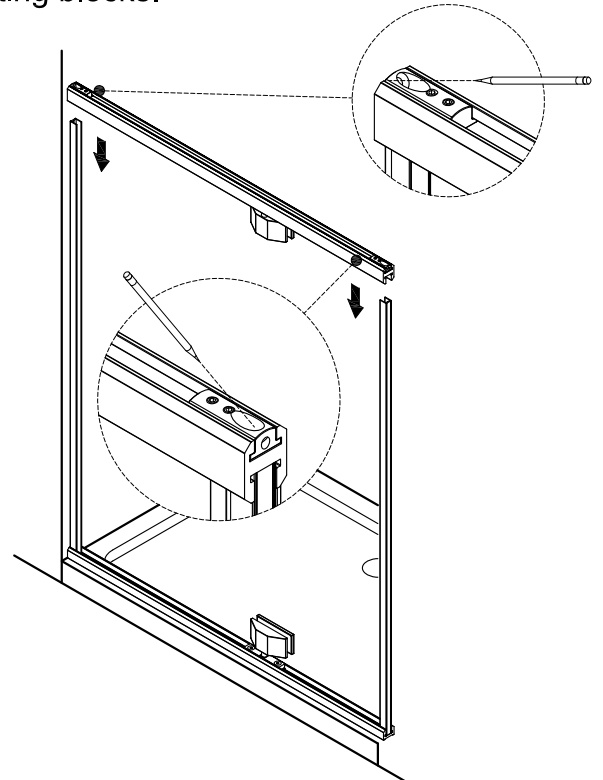


9.2 As shown, slide the mounting blocks ⑫ into top track ①, tighten mounting screw by Allen wrench.



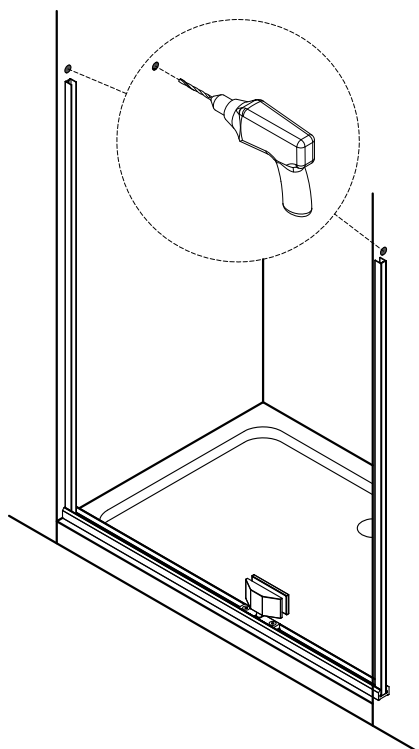
9.3 As shown insert Hinge ⑬ into the top track. **DO NOT TIGHTEN THE SCREWS PROVISIONALLY..**

**STEP 10:** Place Top track ① down over wall jamb As shown mark the hole locations for mounting blocks.

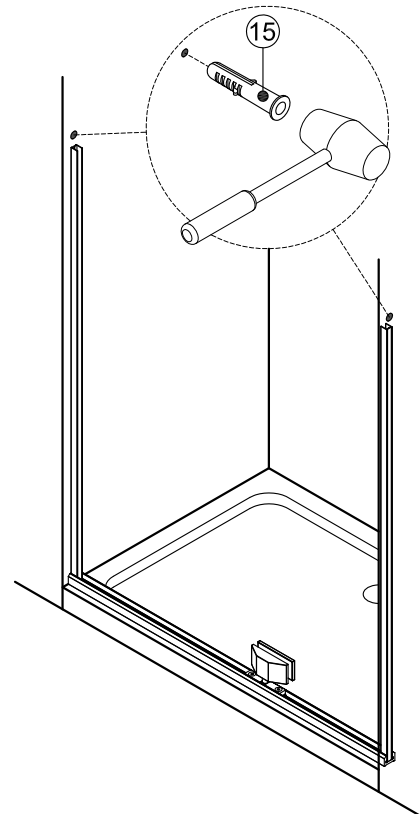


**STEP 11:** Remove top track and drill holes about 1 1/2" deep at each of marked locations.

**Note :**When drilling into ceramic, glass or stone, using a 1/4" Masonry drill bit; When installing on fiberglass or acrylic using 1/8" drill bit and discard the wall plugs.



**STEP 12:** Using a rubber mallet, insert the wall plugs ⑮.



# Marina Door and panel

# FOREMOST

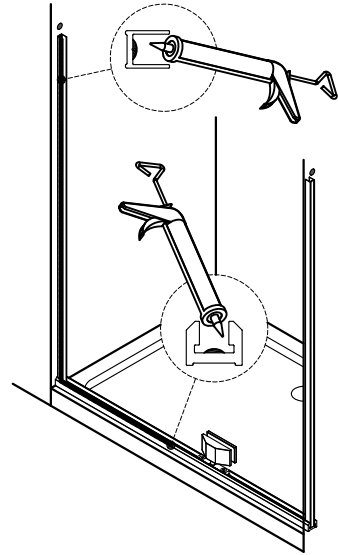
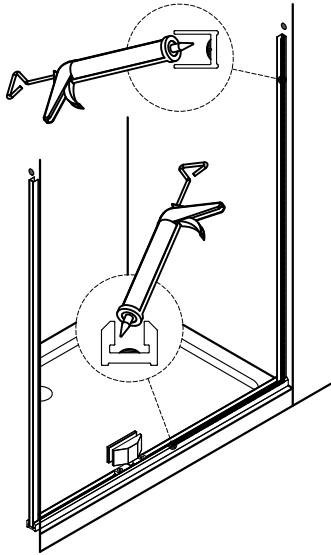
Customer Service 1-888-620-3667

Choose whether you will need to assemble your shower door to open from the left or right .  
Follow the appropriate diagram below .

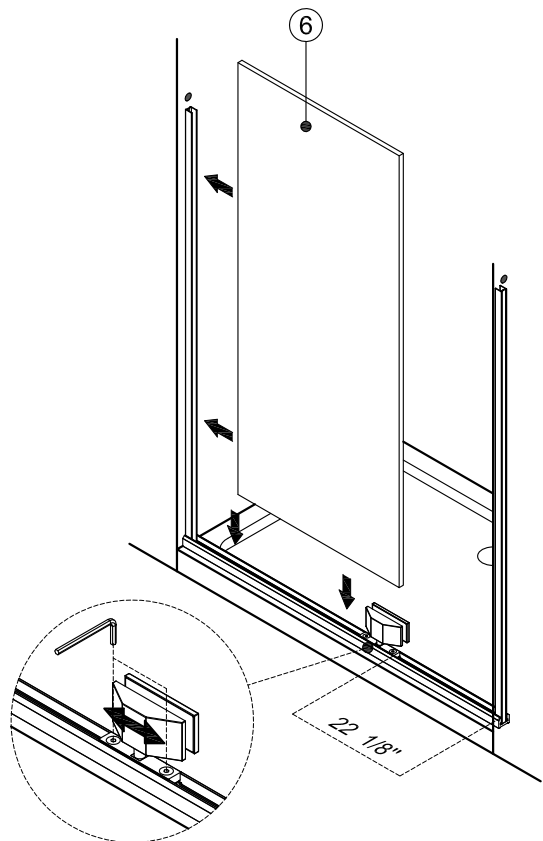
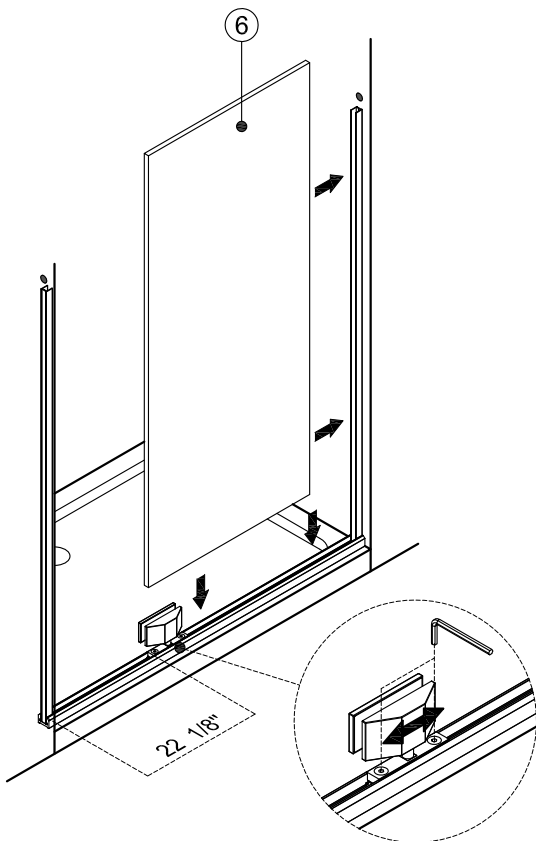
## Left Hand Assembly

## Right Hand Assembly

STEP 13: As shown ,Run a thin bead of silicone caulk down the entire length of wall jamb and a half of bottom track which stayed on stationary panel side .



STEP 14: Slide the fixed panel ⑥ into the caulked wall jamb ,then Adjust the bottom hinge and make sure there is a 22 1/8" wide space for the pivot door.

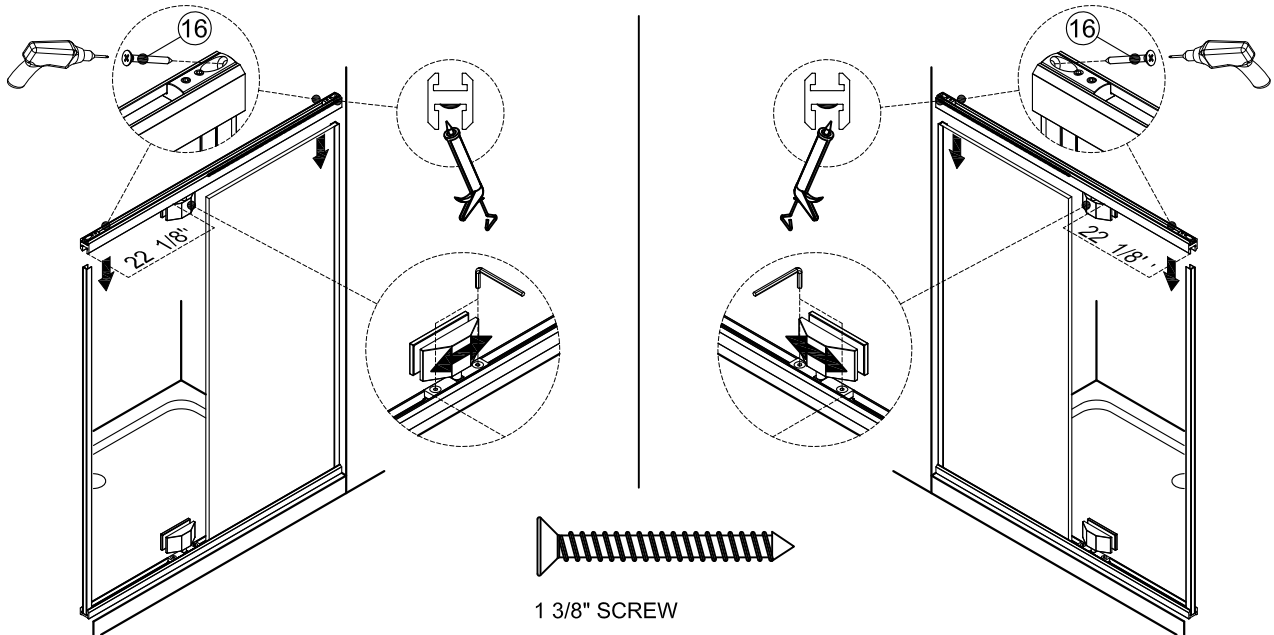


# Marina Door and panel

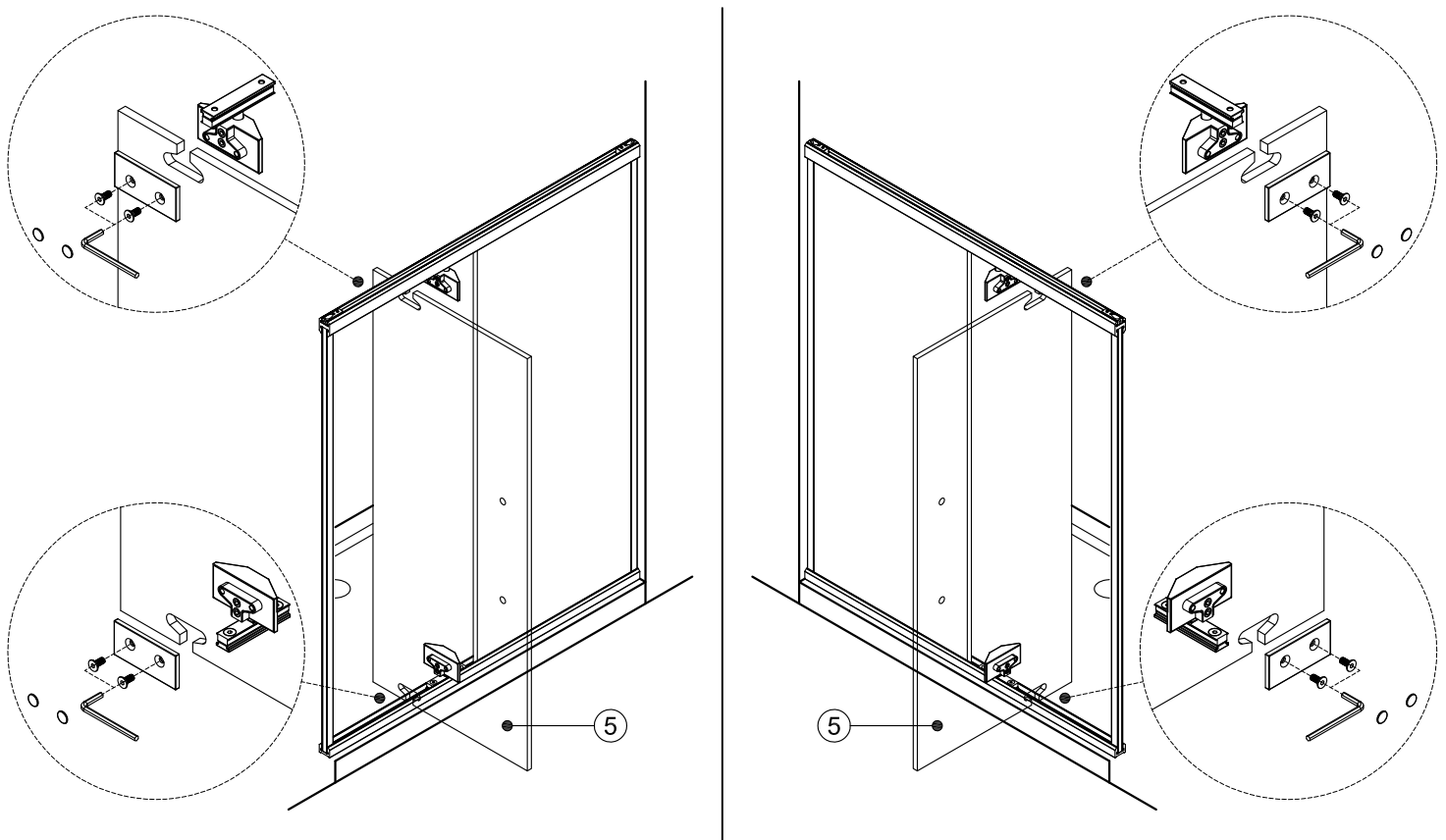
# FOREMOST

Customer Service 1-888-620-3667

- STEP 15 15.1 As shown ,Run a thin bead of silicone caulk down the half of Top track ① and place it down over wall jamb ,Attach to the wall by provided Screw ⑯ .
- 15.2 Adjust the top hinge location and make sure there is a 22 1/8" wide space for the pivot door.



- STEP 16: As shown, Install the door panel ⑤ on the Hinges.





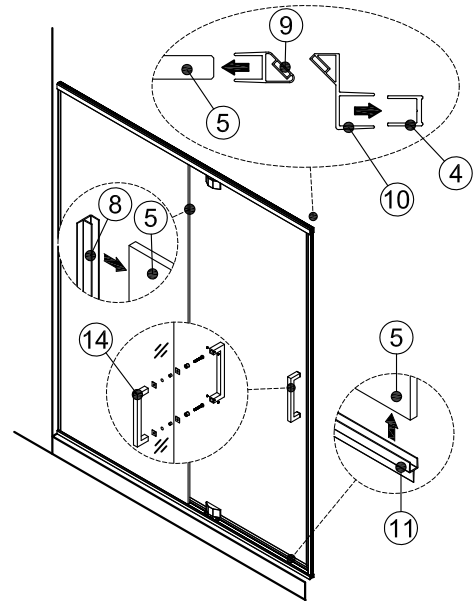
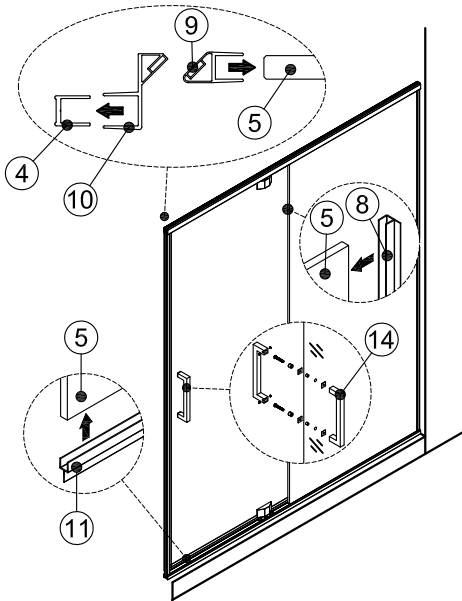
# Marina Door and panel

# FOREMOST

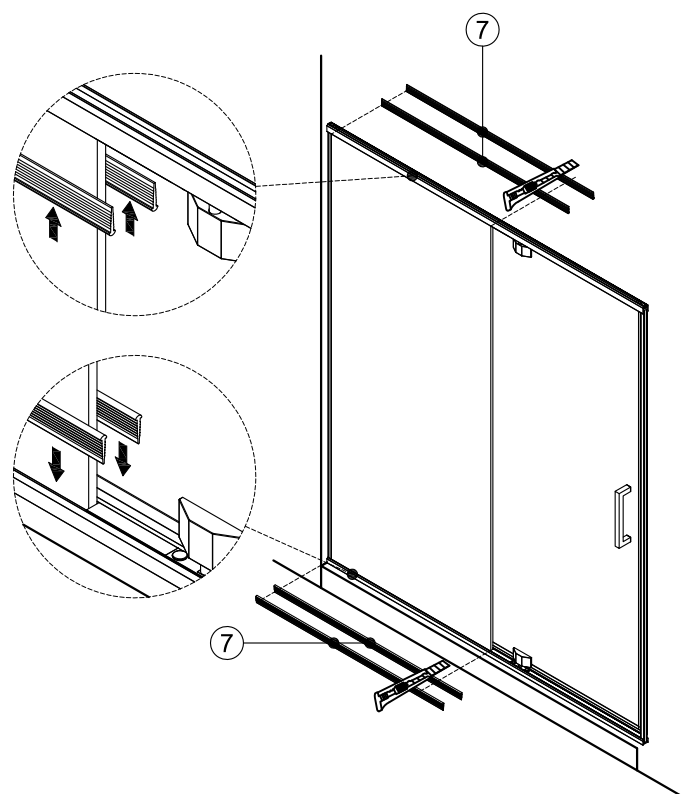
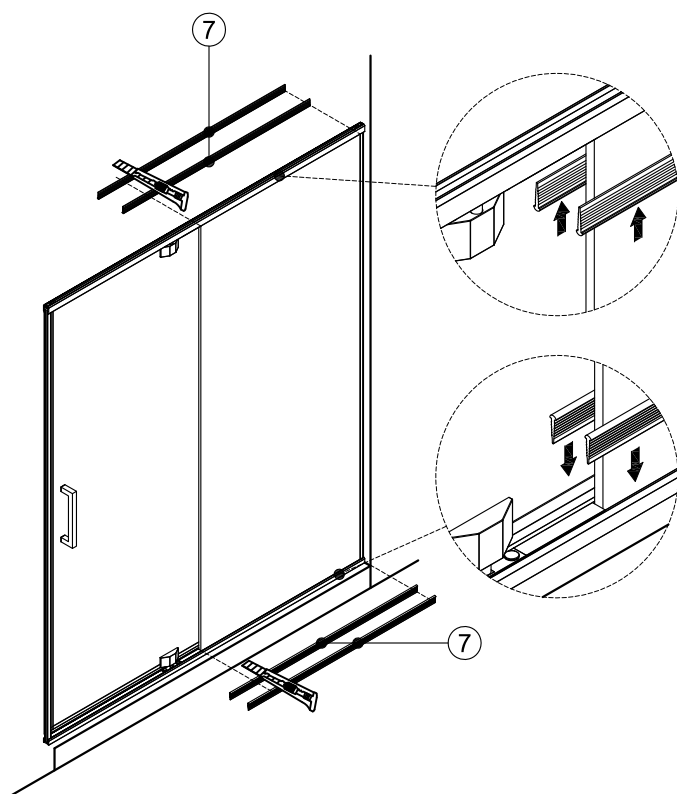
Customer Service 1-888-620-3667

**STEP 17** 17.1 As shown, Put the magnet plastic ⑩ on the wall jamb ④ and Attach magnetic door seal ⑨ to door panel ⑤, Install vinyl ⑧ to opposite end of glass and plastic sweep ⑪ on the bottom.

17.2 Install the handle on the door.



**STEP 18:** Cut the wedge vinyl ⑦ to exact size of the fixed panel and insert them into the gaps of both sides of tracks .

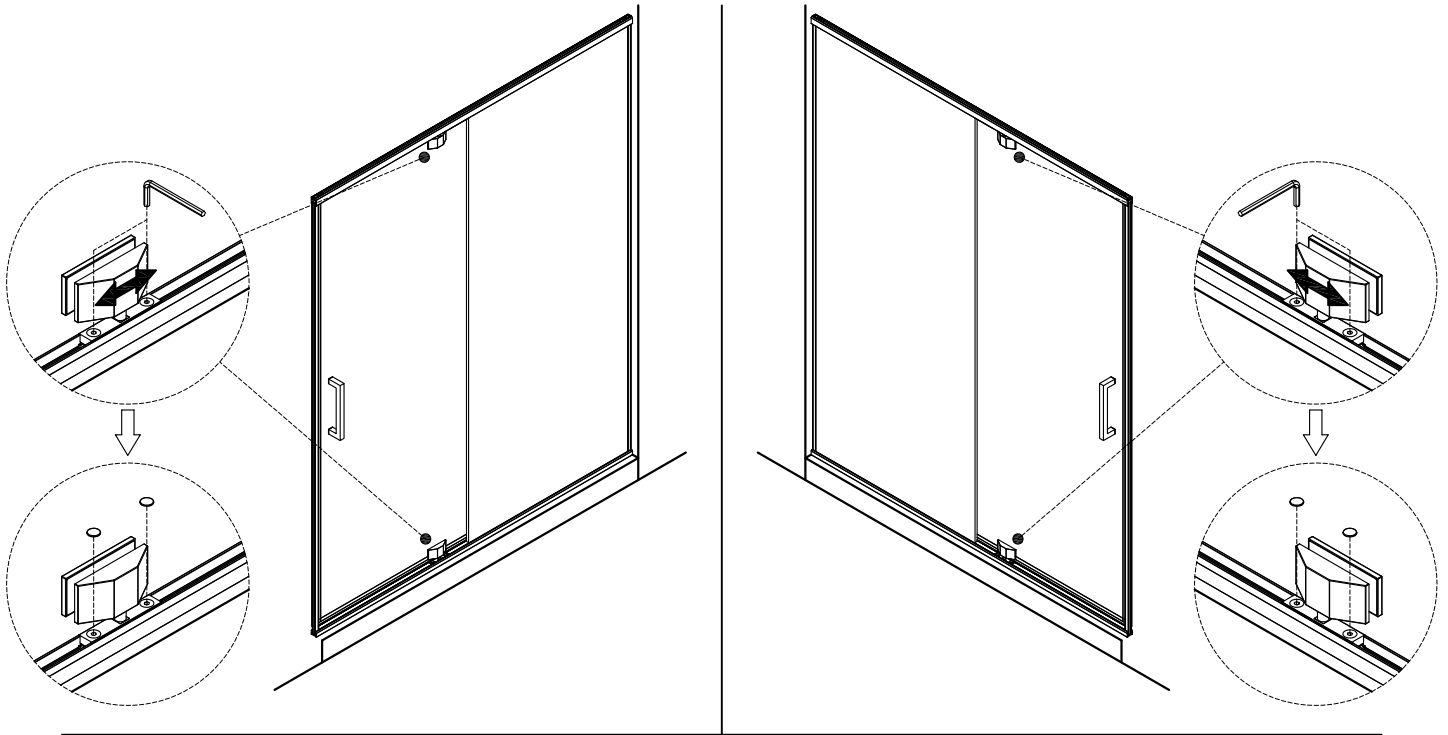


# Marina Door and panel

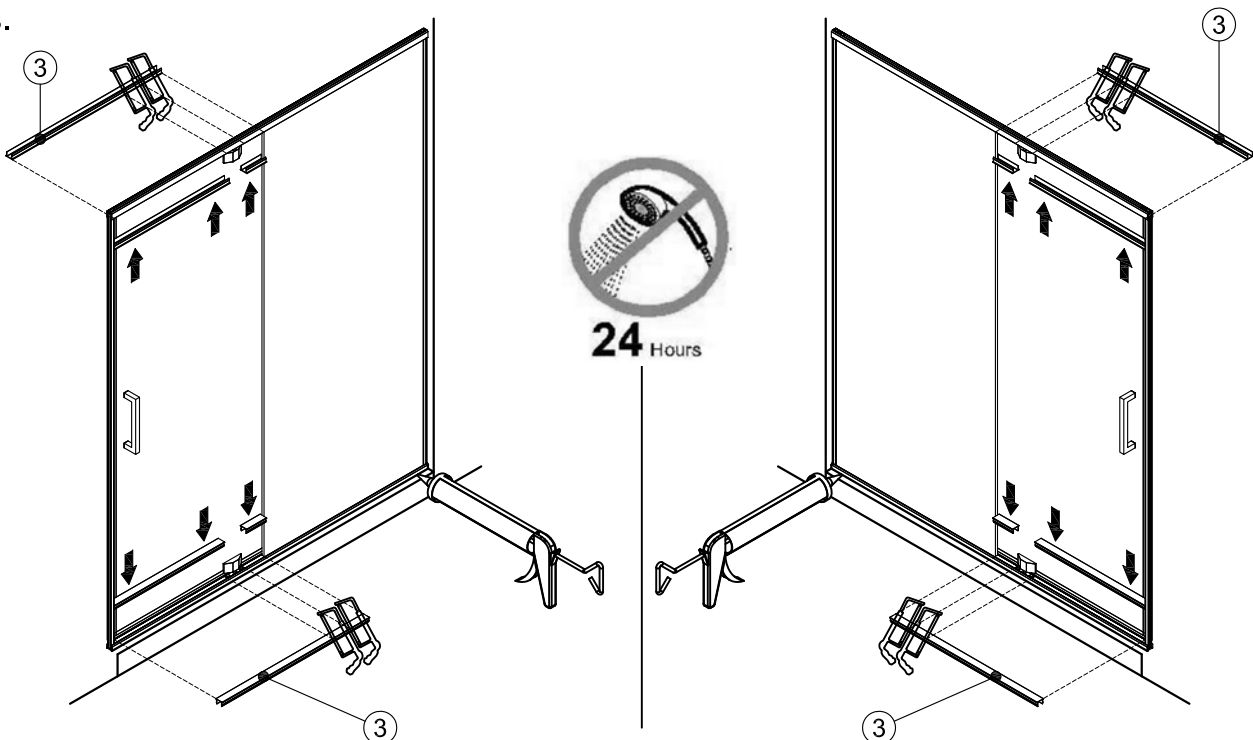
# FOREMOST

Customer Service 1-888-620-3667

STEP 19: Close door and check to make sure the magnetic strip line up from the top to bottom . If it is necessary to adjust the both hinges locations ,then tighten all the screws and cover screws with provided caps.



STEP 20: AS Shown ,Cut the track cover ③ to exact size of the door panel and add them over the tracks.



**FINAL STEP:** Caulk both sides of the shower door frame to seal. Keep the entire area dry for a minimum of **24 hours**. Your installation is now complete. Thank you for choosing Foremost shower doors. ***If you have any questions or require any assistance please contact our customer service center in Hobart Indiana.***

**Toll Free:** 888.620.3667

**Email:** [KandBservice@foremostgroups.com](mailto:KandBservice@foremostgroups.com)

**Hours:** 8:00am-4:30pm (CST) Monday-Friday