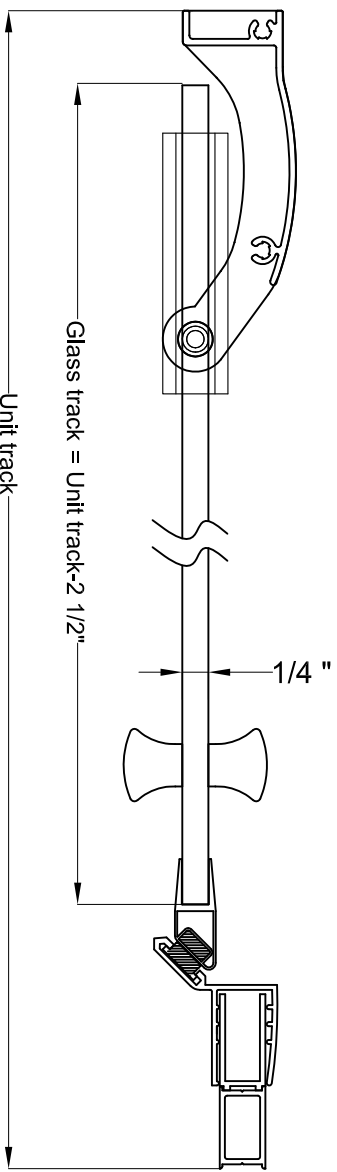
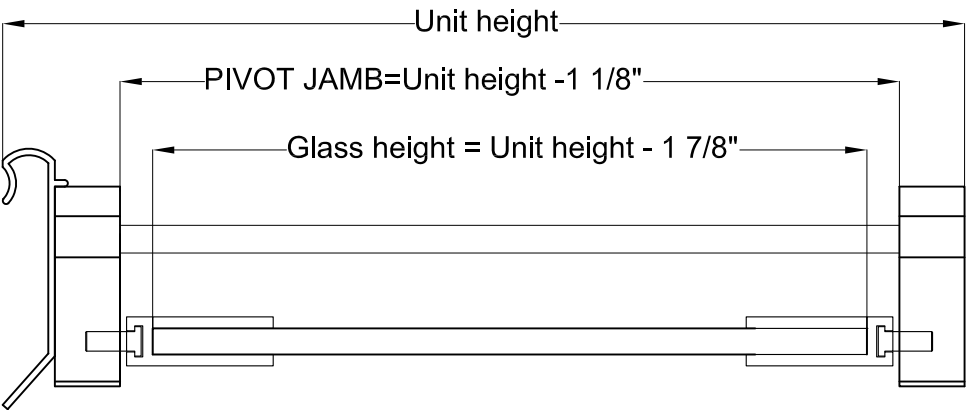


COVE FRAMELESS PIVOT



Model	Size	Pivot Jamb	Threshold	Wall Jamb	Magnetic Jamb	Glass	Min. to Max. Entry size
CVSW2325-72	22.5~24.5"Wx72"H	70 7/8"	25"	70 7/8"	70 7/8"	20 1/2"x70 1/8"	18"-19 1/4"W
CVSW2527-72	24.5~26.5"Wx72"H	70 7/8"	27"	70 7/8"	70 7/8"	22 1/2"x70 1/8"	20"-21 1/4"W
CVSW2729-72	26.5~28.5"Wx72"H	70 7/8"	29"	70 7/8"	70 7/8"	24 1/2"x70 1/8"	22"-23 1/4"W
CVSW2931-72	28.5~30.5"Wx72"H	70 7/8"	31"	70 7/8"	70 7/8"	26 1/2"x70 1/8"	24"-25 1/4"W
CVSW3133-72	30.5~32.5"Wx72"H	70 7/8"	33"	70 7/8"	70 7/8"	28 1/2"x70 1/8"	26"-27 1/4"W
CVSW3335-72	32.5~34.5"Wx72"H	70 7/8"	35"	70 7/8"	70 7/8"	30 1/2"x70 1/8"	28"-29 1/4"W

FOREMOST

6241 Northwindy parkway Hobart, IN 46342
 Phone : 1-888-620-3667