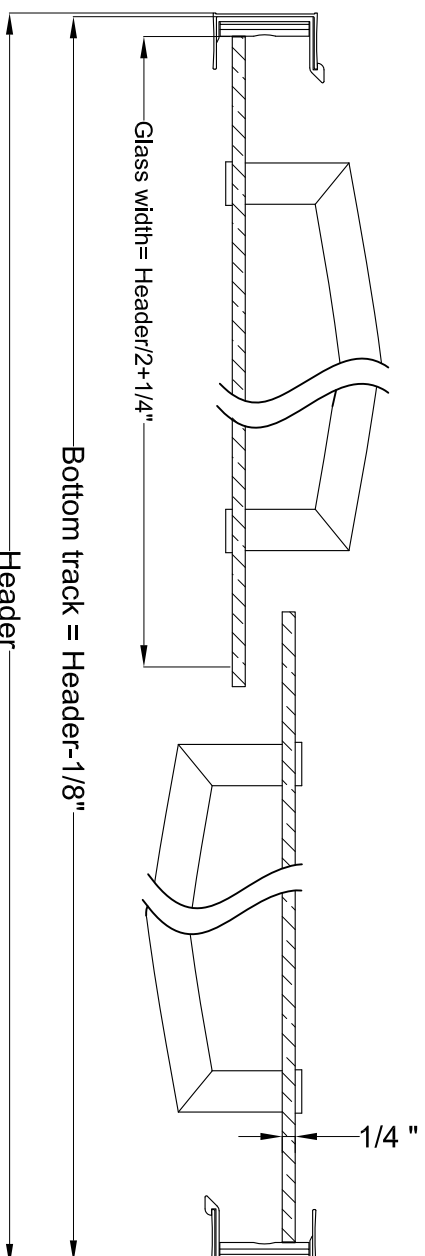
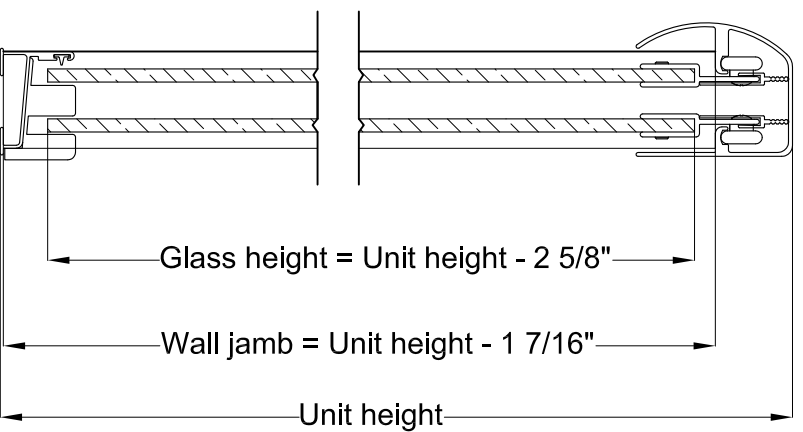


# COVE FRAMELESS BY-PASS DOORS



Model	Size	Top Track	Bottom Track	Wall Jamb	TOWEL Bar	Glass	Min. to Max. Entry size
SHOWER TUB	CVST5855	54~58"Wx55"H	58"	57 7/8"	53 9/16"	24"	29 1/4"x52 3/8"
	CVST6060	56~60"Wx60"H	60"	59 7/8"	58 9/16"	24"	30 1/4"x57 3/8"
	CVST5455	50~54"Wx55"H	54"	53 7/8"	53 9/16"	24"	27 1/4"x52 3/8"
	CVSS4768	43~47"Wx68"H	47"	46 7/8"	66 9/16"	16"	23 3/4"x65 3/8"
	CVSS5968	55~59"Wx68"H	59"	58 7/8"	66 9/16"	24"	29 3/4"x65 3/8"
SHOWER DOOR	CVSS4670	42~46"Wx70"H	46"	45 7/8"	68 9/16"	16"	23 1/4"x67 3/8"
	CVSS5870	54~58"Wx70"H	58"	57 7/8"	68 9/16"	24"	29 1/4"x67 3/8"
	CVSS4872	44~48"Wx72"H	48"	47 7/8"	70 9/16"	16"	24 1/4"x69 3/8"
	CVSS6072	56~60"Wx72"H	60"	59 7/8"	70 9/16"	24"	30 1/4"x69 3/8"
	CVSS4665	42~46"Wx65"H	46"	45 7/8"	63 9/16"	16"	23 1/4"x62 3/8"
CVSS4265	38~42"Wx65"H	42"	41 7/8"	63 9/16"	16"	21 1/4"x62 3/8"	
CVSS4472	40~44"Wx72"H	44"	43 7/8"	70 9/16"	16"	22 1/4"x69 3/8"	
CVSS5765	53~57"Wx65"H	57"	56 7/8"	63 9/16"	24"	28 3/4"x69 3/8"	

# FOREMOST

6241 Northwindy parkway Hobart, IN 46342  
Phone : 1-888-620-3667