

Over the Range Microwave, 30"

Series 5 | Contemporary

Stainless Steel

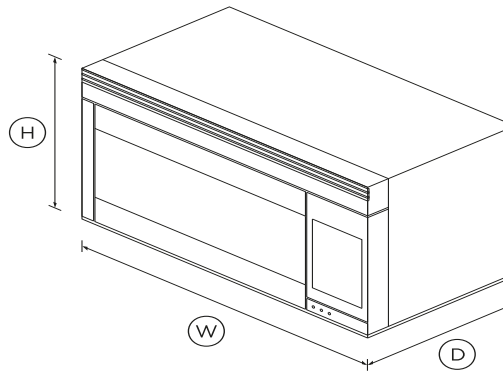


Pair the flexibility of convection and microwave cooking with a powerful ventilation fan for above your range.

- 12 cooking modes including Defrost, Popcorn and Reheat
- Powerful fan, and hood light
- Easy clean removable carousel

DIMENSIONS

Height	16 11/32"
Width	30"
Depth	15 9/32"



Depth	15 9/32"
Height	16 11/32"
Width	30"

Ventilation Performance

Air outlet size	3 1/4" x 10" rectangular duct
Ducted	Top extraction & Left, right or
Fan speeds	2
Filter cleaning alert	•
Maximum sound rating	7.7sones
Minimum sound rating	7sones
Recirculation	Back optional

Warranty

Parts and labor	2 years
-----------------	---------

SKU	70904
-----	-------

The product dimensions and specifications in this page apply to the specific product and model. Under our policy of continuous improvement, these dimensions and specifications may change at any time. You should therefore check with Fisher & Paykel's Customer Care Centre to ensure this page correctly describes the model currently available. ? Fisher & Paykel Appliances Ltd 2020

SPECIFICATIONS

Functions

Popcorn	•
---------	---

Power requirements

Supply frequency	60Hz
Supply voltage	120V

Product dimensions

Other product downloads available at fisherpaykel.com



User Guide



Service & Warranty



Installation Guide



A PEACE OF MIND SALE

24 Hours 7 Days a Week Customer Support

T 1.888.936.7872 **W**www.fisherpaykel.com