

FISHER & PAYKEL

PRELIMINARY SPECIFICATION GUIDE

DRAWER MICROWAVE, 24"



OVERVIEW

The 24" Drawer Microwave is designed to match our Professional style family of appliances. Its spacious 1.2 cu ft capacity and handle-free design makes it a practical addition that can be installed under the counter or on the wall for convenient access. Intuitive touch controls ensure ease of use, while 10 power levels and sensor cooking technology provide precise results.

MODEL

Drawer Microwave, 24", Drawer Style
OMD24SPX1

SERIES & STYLE

Series 7
Professional, Stainless Steel

FEATURES

- ① Designed to match our Professional style appliances
- ② Install flush or proud under the counter or in the wall, taking up less counter space
- ③ Place at a convenient height for better accessibility
- ④ Spacious 1.2 cu ft capacity
- ⑤ Sensor function automatically sets power and cooking time based on the food type and moisture level
- ⑥ Handle-free, push-to-open design
- ⑦ Intuitive touch controls for ease of use
- ⑧ 10 power levels including melt, soften and warm
- ⑨ Easy to clean stainless steel interior

FISHER & PAYKEL

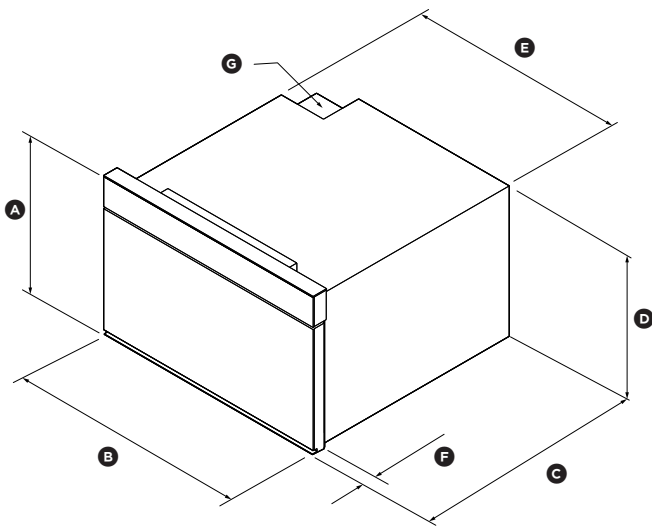
PRELIMINARY SPECIFICATION GUIDE

DRAWER MICROWAVE, 24"

SPECIFICATIONS

Model No.	OMD24SPX1
Dimensions	H 15 15/16" x W 23 7/8" x D 23 5/16"
Weight	100 lbs
Oven Total Capacity	1.2 cu ft
Electrical	
Supply	120V, max 60Hz
Outlet	3 pin plug

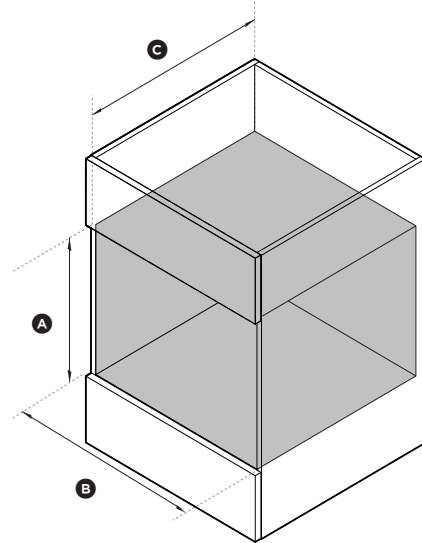
PRODUCT DIMENSIONS



ISO VIEW

		in	mm
(A)	Overall height	15 15/16"	405
(B)	Overall width	23 7/8"	606
(C)	Overall depth	23 5/16"	592
(D)	Height chassis	14 3/4"	374
(E)	Width chassis	21 15/16"	557
(F)	Control panel thickness	1 9/16"	40
(G)	Electrical connection (Inlet)		

CAVITY DIMENSIONS



ISO VIEW

		in	mm
(A)	Minimum inside height	15 1/12"	393
(B)	Minimum inside width	22 1/8"	562
(C)	Minimum inside depth	21 15/16"	557

NOTE: Dimensions shown for flush install
 Proud install and clearance details please refer to our installation manual