

Integrated Dishwasher, Tall, Sanitize

Series 7 | Integrated

Panel Ready

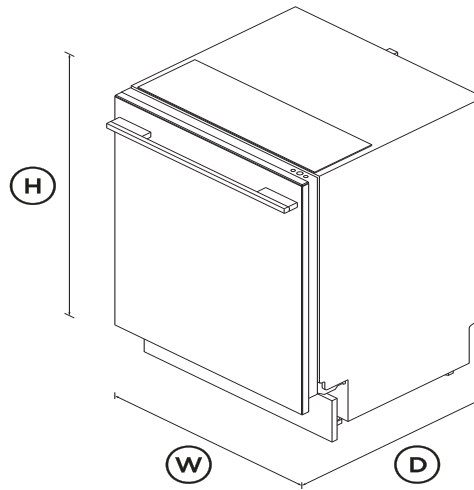


Designed to be integrated seamlessly into your cabinetry, this dishwasher delivers extra wash options and Auto Door Open Dry.

- Customize with your own front panel and handle to match your kitchen cabinetry
- Seven wash programs from Heavy to Light, including Auto and 60min
- Dry+, Sanitize and Half Load modifiers provide extra wash options
- Wi-Fi enabled and works with the SmarthQ™ app for remote control and notifications

DIMENSIONS

| | |
|--------|------------------|
| Height | 33 3/4 - 36 1/8" |
| Width | 23 1/2" |
| Depth | 21 13/16" |



FEATURES & BENEFITS

SEAMLESS INTEGRATION

Customize your dishwasher with a panel and handle matching your cabinetry, for a seamless finish in your kitchen.

EFFORTLESS DRYING

For beautifully dry dishes every time, this dishwasher features an advanced drying system. It combines fan-assisted drying with an automatic door opening at the cycle's end. The Auto Door Open Dry feature releases excess steam, ensuring dishes are

immediately ready for use or storage. An innovative air curtain channels the steam away from the adjacent benchtop, protecting your cabinetry.

A RELIABLE CLEAN

This dishwasher offers seven wash programs including Auto, which automatically senses the optimal wash settings for your dishes. The three-stage filtration system delivers a superior clean, while the rinse aid indicator reminds you to top up for beautifully clean dishes.

CUSTOMIZE YOUR WASH

The Half Load modifier is perfect for washing a partial load, for faster turnaround of dishes. Sanitize provides extra protection, killing 99.9% of bacteria* in the final rinse, while the Dry+ modifier is great for plastic dishes. *Certified to NSF/ANSI Standard 184

EFFICIENT PERFORMANCE

With an Energy Star Most Efficient rating, this dishwasher is recognised as among the most energy efficient models on the market. Use the Eco wash program for optimal water and energy consumption, or choose when the cycle begins with Delay Start.

FLEXIBLE LOADING

Designed to fit 15 place settings with ease, adjustable racks help you to load and care for various items – including a height-adjustable upper basket, and foldable cup holders and tines.

SPECIFICATIONS

Accessories (sold separately)

| | |
|-------------------------------|----------------|
| Door panel stainless steel | ADDW24TPX |
| Handle kit Contemporary | AHS-OBDD-60S |
| Handle kit Contemporary | AHD5-OBDD-60SX |
| Handle kit Contemporary | AHD5-OBDD-60SB |
| Handle kit Contemporary | AHD3-OBDD-60S |
| Handle kit Professional round | AHP3-DWDD-SX |

Capacity and loading

| | |
|-----------------------------|-----------------|
| Accommodates round plates | 12 9/16" |
| Accommodates round plates | 9 13/16" |
| Adjustable height, foldable | • |
| Easy lift adjustable upper | • |
| Fold down tines | • |
| Fold down wine racks | • |
| Place settings | 15 |

Consumption

| | |
|------------------------------|-----------------------------------|
| Energy rating | Energy star Most efficient |
| Energy usage | 224kWh/year |
| Water usage (per wash cycle) | 3.2 gal |

Controls

| | |
|----------------------------|---|
| Child lock | • |
| Energy saving delay start | • |
| Floor light cycle feedback | • |
| Internal wash selector | • |
| Intuitive capacitive touch | • |
| Rinse aid indicator light | • |
| Wi-Fi connectivity | • |

Features

| | |
|-----------------------|------------------------|
| Air curtain for bench | • |
| Auto Door Open Dry | • |
| Flood protection | • |
| Half load option | • |
| Internal tub material | Stainless Steel |

| | |
|-------------------------------|---------------------|
| Motor type | Asynchronous |
| ThermoDry system | • |
| Three-stage filtration system | • |

Performance

| | |
|-----------------|--------------|
| Noise emissions | 46dBA |
|-----------------|--------------|

Power requirements

| | |
|------------------|-------------------|
| Amperage | 10A |
| Supply frequency | 60Hz |
| Supply voltage | 100 - 120V |

Product dimensions

| | |
|--------|-------------------------|
| Depth | 21 13/16" |
| Height | 33 3/4 - 36 1/8" |
| Width | 23 1/2" |

Warranty

| | |
|-----------------|------------------------|
| Parts and labor | Limited 2 years |
|-----------------|------------------------|

Wash Program Modifiers

| | |
|----------------|----------|
| Dry + | • |
| Half-load | • |
| Sanitize | • |
| Wash modifiers | 3 |

Wash Programs

| | |
|--------|---|
| 60 min | • |
| Auto | • |
| Eco | • |

| | |
|---------------|----------|
| Heavy | • |
| Light | • |
| Medium | • |
| Rinse | • |
| Wash programs | 7 |

Water connection

| | |
|----------------|-------------------------|
| Water pressure | 30kPa - 1000 kPa |
|----------------|-------------------------|

| | |
|-----|--------------|
| SKU | 82443 |
|-----|--------------|

The product dimensions and specifications in this page apply to the specific product and model. Under our policy of continuous improvement, these dimensions and specifications may change at any time. You should therefore check with Fisher & Paykel's Customer Care Centre to ensure this page correctly describes the model currently available. ? Fisher & Paykel Appliances Ltd 2020

Other product downloads available at fisherpaykel.com

- [↓](#) Service & Warranty
- [↓](#) User Guide Integrated Dishwasher
- [↓](#) Energy Label Dishwasher
- [↓](#) Installation Guide Built Under Dishwasher
- [↓](#) Preliminary Specification Guide Dishwasher
- [↓](#) Data Sheet Integrated Dishwasher



A PEACE OF MIND SALE

24 Hours 7 Days a Week Customer Support

T 1.888.936.7872 W www.fisherpaykel.com