

FISHER & PAYKEL

SPECIFICATION GUIDE

OVEN, 30", SELF-CLEANING



OVERVIEW

Enhance your kitchen design with the refined styling of the 30" Double Oven. Complementing the other products in our Contemporary collection, you can create a coherent, considered look with ease. Intuitive controls and the performance to deliver perfect results make this double oven beautiful to use.

MODELS

Double Oven, 30", 17 Function, Self-cleaning

4.1 cu ft + 4.1 cu ft, Stainless Steel, Dial Controls, Touchscreen
OB30DDPTDX1

SERIES & STYLE

Series 9
Contemporary

FEATURES

- ① Designed to fit flush with cabinetry
- ② Styled to perfectly match our Contemporary kitchen appliances
- ③ Generous 4.1 cu ft total capacity per oven
- ④ High-resolution, user-friendly touch display
- ⑤ Guided cooking and recipes
- ⑥ Perfect results from a variety of oven functions
- ⑦ Even heat distribution throughout with AeroTech™ technology
- ⑧ Self-cleaning
- ⑨ CoolTouch door

ACCESSORIES

- ① Full-extension sliding shelves
- ② Self-cleaning-proof side racks
- ③ Roasting dish, tray and rack
- ④ Food probe

FISHER & PAYKEL

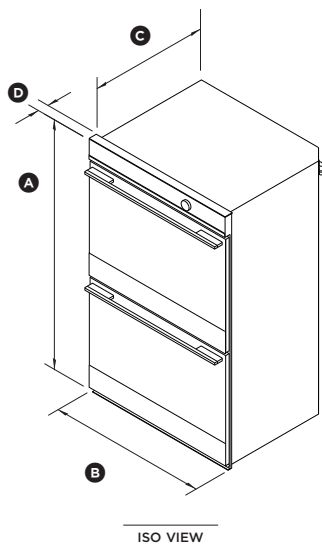
SPECIFICATION GUIDE

OVEN, 30", SELF-CLEANING

SPECIFICATIONS

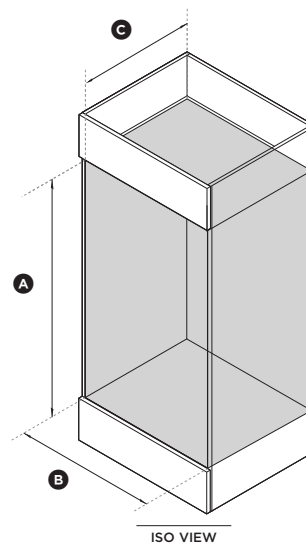
Model No.	OB30DDPTDX1
Dimensions	H 48 1/2" (1232mm) x W 29 15/16" (760mm) x D 24" (609mm)
Total capacity	4.1 cu ft per oven
Weight	428 lbs (186 kg)
Electrical	
Supply	208-240VAC, 60Hz
Service	33.2-38.3-amp circuit

PRODUCT DIMENSIONS



		in	mm
(A)	Overall height	48 1/2"	1232
(B)	Overall width	29 15/16"	760
(C)	Depth of chassis	22 7/16"	569
(D)	Depth from front of chassis to front of oven door (excluding handle)	1 9/16"	40
	Depth of upper door when fully open (measured from front of control panel)	21 11/16"	550
	Depth of lower door when fully open (measured from front of control panel)	20 7/8"	530

CAVITY DIMENSIONS: STANDARD INSTALLATION



		in	mm
(A)	Minimum inside height of cavity	48 3/16"	1224
(B)	Minimum inside width of cavity	28 1/2"	724
(C)	Minimum inside depth of cavity		
	• proud install	22 5/8"	575
	• flush install	24 3/16"	615