

**FISHER & PAYKEL**

**ACTIVESMART™ INTEGRATED  
FRENCH DOOR/DRAWER REFRIGERATOR**

---

RS36A80 models

**INSTALLATION GUIDE**

**US CA**

**844183A 07.18**



# CONTENTS

## FOLLOW THE INSTALLATION SEQUENCE RELEVANT TO YOUR CABINETRY

- ① SAFETY AND WARNINGS
- ② COMPONENTS LIST
- ③ PRODUCT AND CAVITY DIMENSIONS
- ④ CABINETRY OPTIONS
- ⑤ STAINLESS STEEL DOOR PANEL AND TOE KICK DIMENSIONS
- ⑥ CUSTOM DOOR PANEL AND TOE KICK DIMENSIONS
- ⑦ CUSTOM DOOR PANEL INSTALLATION DIMENSIONS
- ⑧ DOOR OPENING ROTATION
- ⑨ ELECTRICAL AND PLUMBING
- ⑩ BEFORE INSTALLATION
- ⑪ ATTACH ANTI-TIP BRACKET
- ⑫ ATTACH TOP TRIM - FOR 84" (2134mm) CAVITY
- ⑬ ATTACH SIDE BRACKETS AND DOOR STUDS
- ⑭ CONNECT TO WATER AND ELECTRICAL SUPPLY
- ⑮ ALIGN YOUR PRODUCT INSIDE CABINETRY
- ⑯ INSTALL WATER FILTER CARTRIDGE AND TOE KICK
- ⑰ ASSEMBLE DOOR PANEL SET
- ⑱ HANG ICE & WATER DOOR PANEL
- ⑲ HANG NON-WATER DISPENSING DOOR PANELS
- ⑳ ATTACH FIXING BRACKETS
- ㉑ ATTACH TOE KICK
- ㉒ ATTACH COVERS AND DOOR/DRAWER TRIMS
- ㉓ ATTACH BOTTOM TOE KICK
- ㉔ ATTACH CABINET TRIMS -  
[A] FLEXIBLE SPRING CLIP METHOD
- OR
- ㉕ ATTACH CABINET TRIMS -  
[B] FIXED SCREW METHOD
- ㉖ ADJUST HINGE TENSIONING SCREWS
- ㉗ FINAL CHECKLIST



## ① SAFETY AND WARNINGS

### ⚠ WARNING!



#### Electric Shock Hazard

Read and follow the safety and warnings outlined in this installation guide before operating this refrigerator. Failure to do so can result in death, electric shock, fire or injury to persons.

### ⚠ WARNING!



#### Cut Hazard

Take care - panel edges are sharp. Failure to use caution could result in injury or cuts.

### ⚠ WARNING!



This refrigerator is top-heavy and must be secured to prevent the possibility of tipping forward.

To ensure that the refrigerator is stable under all loading conditions, the anti-tip bracket and fittings supplied must be installed according to the following installation instructions by a professional installer.

### IMPORTANT!

- The water connection to your Ice & water refrigerator must be installed by an authorized plumber or Fisher & Paykel trained and supported service technician and comply with all state and local laws.
- Installation and use MUST comply with all state and local plumbing codes. Check with your local public works department for plumbing codes. You must follow their guidelines as you install the water filtration system.
- To avoid serious illness or death, only connect your water filter to safe drinking water.
- The water filter cartridge needs to be changed when the replacement indicator icon illuminates. This will happen every 6 months.
- If the water filtration system has been allowed to freeze, replace filter cartridge. Failure to replace the disposable filter at recommended intervals may lead to reduced filter performance and failure of the filter, causing property damage from water leakage or flooding.
- In cases of excessively reduced filter life—we recommend that you consult a local plumber or your water supplier for advice on suitable filtration requirements for the water supplied to your home.
- Filter replacement is the consumer's responsibility and will not be covered by the warranty except in the case of faulty parts or materials within the filter cartridge.
- If the water has not created ice for some time or ice has an unpleasant taste or odor dispose of ice and refer to the flushing instructions detailed in the installation section of this user guide/installation guide. If unpleasant taste or odor persists, you may wish to fit a new filter cartridge.
- Use new tubing supplied with the refrigerator. DO NOT reuse old tubing from old water and ice connections.
- Your water filtration system can withstand up to 120psi (827kPa) of water pressure. Ensure the supplied pressure reducing valve is installed before installing the water filtration system. DO NOT install if water pressure exceeds 120psi (827kPa).

To reduce the risk associated with property damage due to water leakage or flooding:

- DO NOT install systems in areas where ambient temperatures may go above 100°F (38°C) or drop below 33°F (0.6°C).
- DO NOT install on hot water supply lines. The maximum operating water temperature of this filter system is 100°F (38°C).
- DO NOT install where water hammer conditions may occur. If water hammer conditions exist, you must install a water hammer arrester.

### WARNING!

To reduce the risk associated with choking:

- DO NOT allow children under 3 years of age to have access to small parts during the installation of the water filter.

### IMPORTANT! SAVE THESE INSTRUCTIONS

The models shown in this installation guide may not be available in all markets and are subject to change at any time. For current details about model and specification availability in your country, go to our website [fisherpaykel.com](http://fisherpaykel.com) or contact your local Fisher & Paykel dealer.

## 2 COMPONENTS LIST

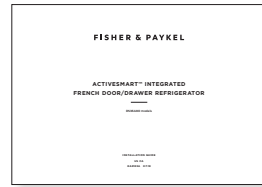
### MI (miscellaneous items) pack — included with the refrigerator



User guide (1x)

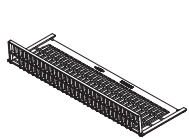


Service & Warranty (1x)

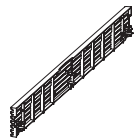


Installation guide (1x)

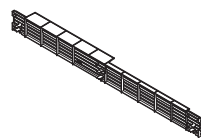
### Product accessories — included with the refrigerator



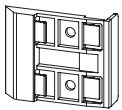
Toe kick filter (1x)



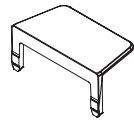
Top toe kick grille (1x)



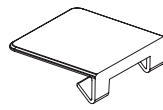
Bottom toe kick grille (1x)



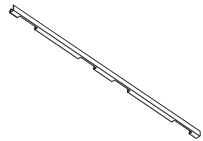
Cabinet side trim bracket (6x)



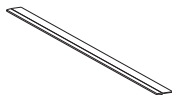
Side cover (4x)



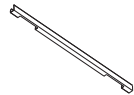
Top cover (2x)



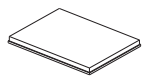
Door side trim (2x)



Drawer top trim (1x)



Drawer side trim (2x)



3M Dual Lock™ tabs (10x)

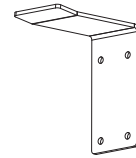


#8x16 pan head Phillips screw (34x)



Cabinet side trim (2x)

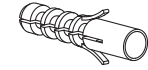
### Anti-tip bracket fittings — included with the refrigerator



Anti-tip bracket (1x)



#10x40 pan head Phillips screw (4x)



Masonry plug (4x)

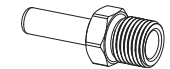
### Water fittings — included with the refrigerator



Water filter (1x)



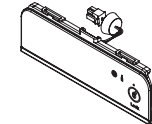
Collet locking clip (1x)



1/4" (6mm) Adaptor (1x)



Filter cartridge tool (1x)



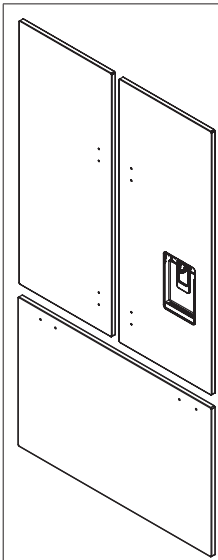
External display module (1x) (included with Water dispensing models)



1/4" (6mm) comp. Stainless Steel braided hose (1x)

## ② COMPONENTS LIST

### Door panel set



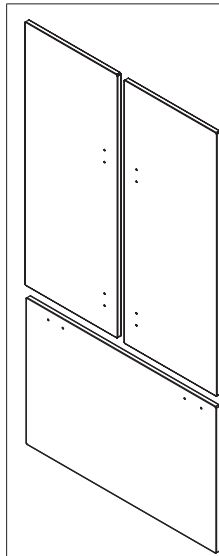
Fisher & Paykel (Stainless steel) door panel set is not included with the refrigerator and must be purchased separately.

#### Door panel set:

Non-Water dispensing French panel (1x)  
Ice & Water French panel (1x)  
Drawer panel (1x)

#### Part numbers:

RD3680, RD3680U, RD3684 or RD3684U

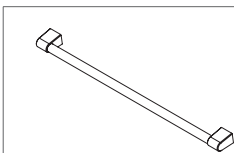


Custom door panel set is only applicable for non-Water dispensing models. Customers can supply their own Custom door panel to match their cabinetry.

#### Door panel set:

Non-Water dispensing French panels (2x)  
Drawer panel (1x)

### Door handle kit — not included with the refrigerator and must be purchased separately

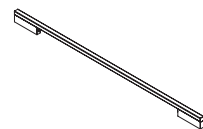


Professional rounded door handle (3x)



M5x25 pan head socket screw (12x)

OR

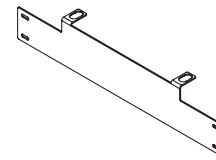


Contemporary square door handle (3x)

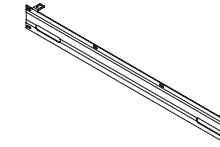


M5x14 Mush Phillips SS (34x)

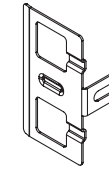
### Door panel fittings—included with the refrigerator



French door hanging bracket (2x)



Drawer hanging bracket (1x)



Side bracket (10x)



Side strap (10x)



M5x10 pan head Phillips screw (10x)



#8x16 pan head Philips screw (34x)



M8 stud (6x)

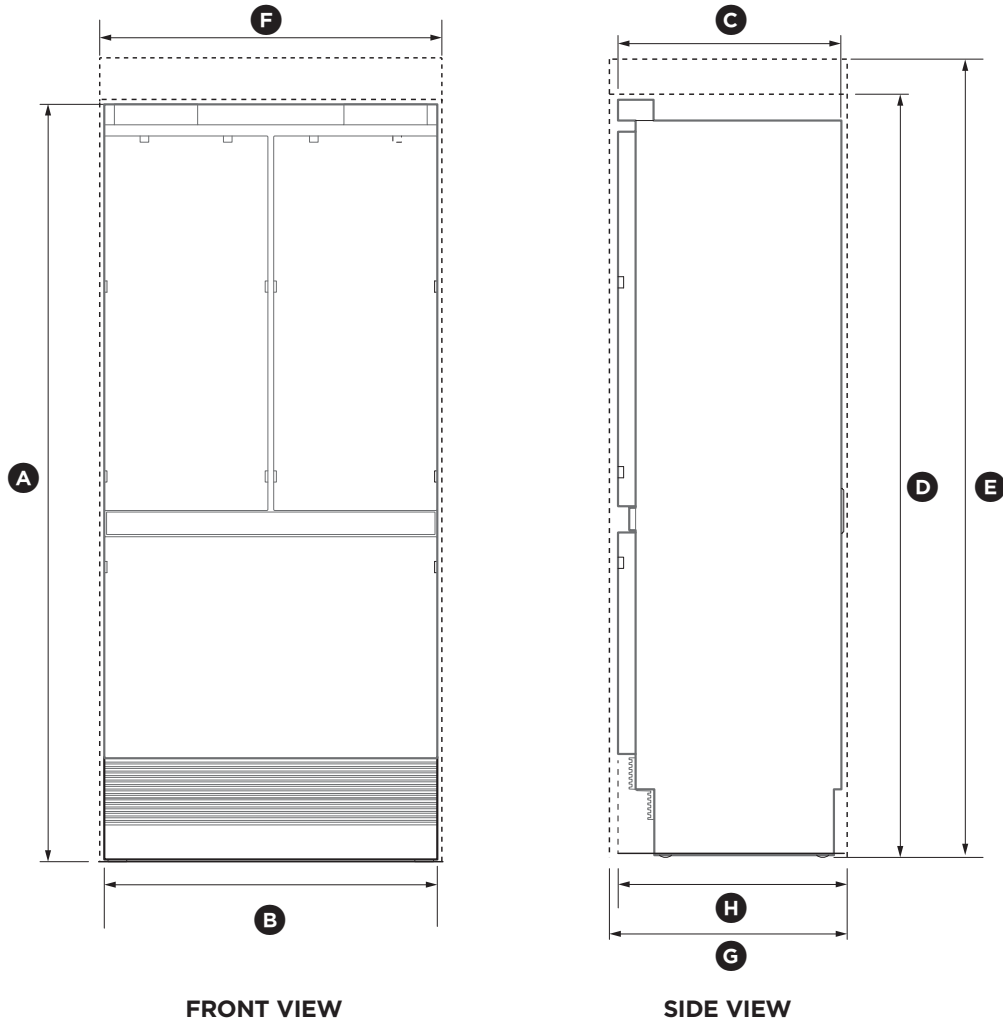


M8 washer (6x)



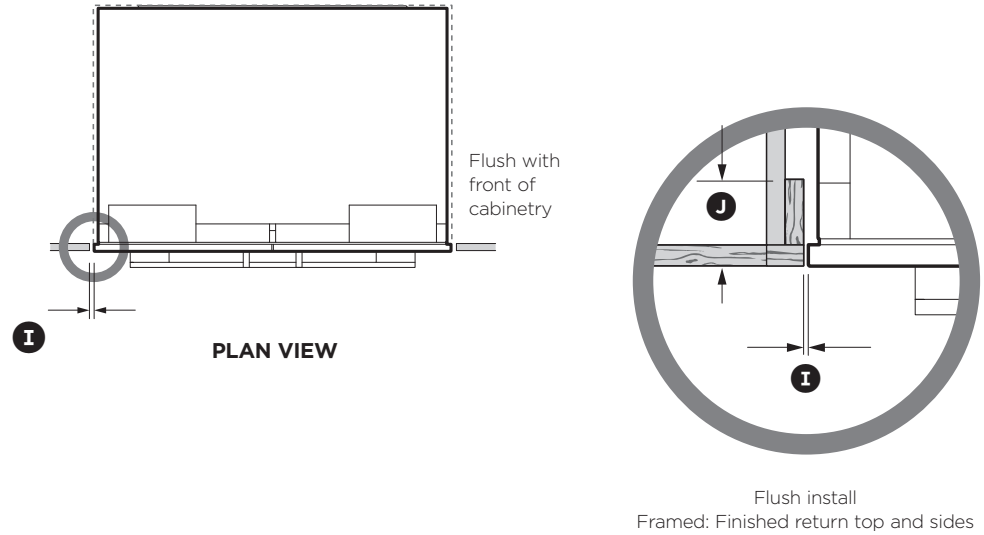
M8 nut (6x)

### 3 PRODUCT AND CAVITY DIMENSIONS



#### IMPORTANT!

For ease of installation, ensure cavity width is consistent top to bottom and height is consistent left to right.



<b>PRODUCT DIMENSIONS</b>		<b>RS36A80</b>
		<b>inches (mm)</b>
(A)	Overall height of product*	79 13/16" (2028)
(B)	Overall width of product	35 11/16" (906)
(C)	Overall depth of product (without door panels)	23 3/4" (603)

<b>CAVITY DIMENSIONS</b>		<b>inches (mm)</b>
(D)	Overall height of cavity (for refrigerator using RD3680 door panel set)	80" (2032)
(E)	Overall height of cavity (for refrigerator using RD3684 door panel set)	84" (2134)
(F)	Overall width of cavity	36" (914)
(G)	Overall depth of cavity (for flush installation)	25" (635)
(H)	Overall depth of cavity (for proud installation)	24 3/4" (629)
(I)	Minimum cabinetry gap clearance from edge of product	3/16" (4)
(J)	Minimum required finished return	min. 3 1/2" (89)

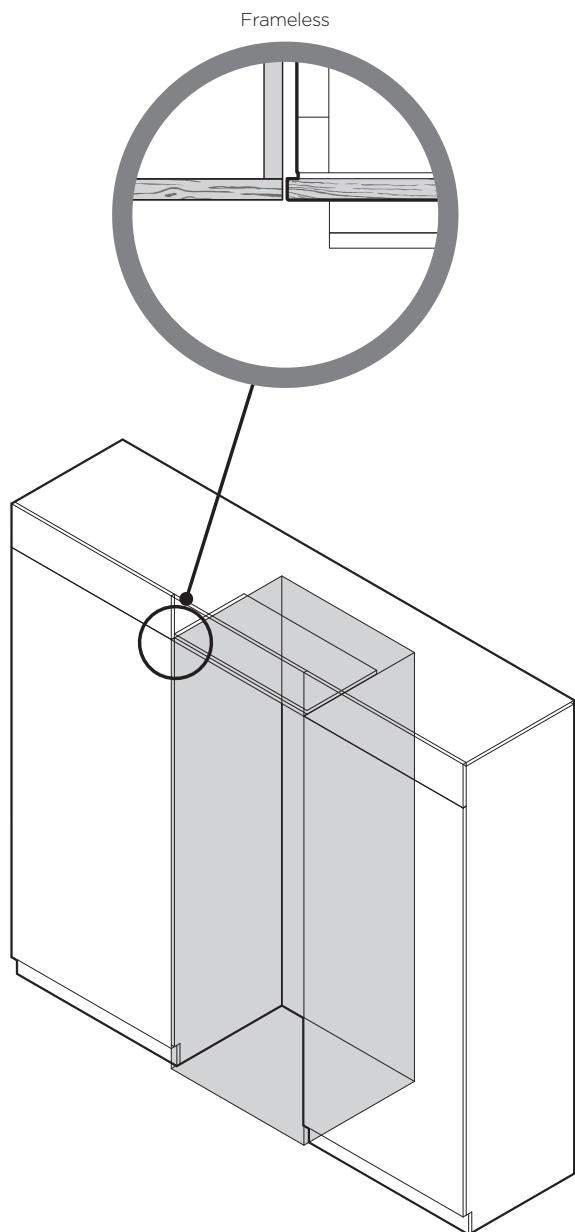
\* Includes mounted feet

For integrated installation, ensure finished return dimensions are as shown.

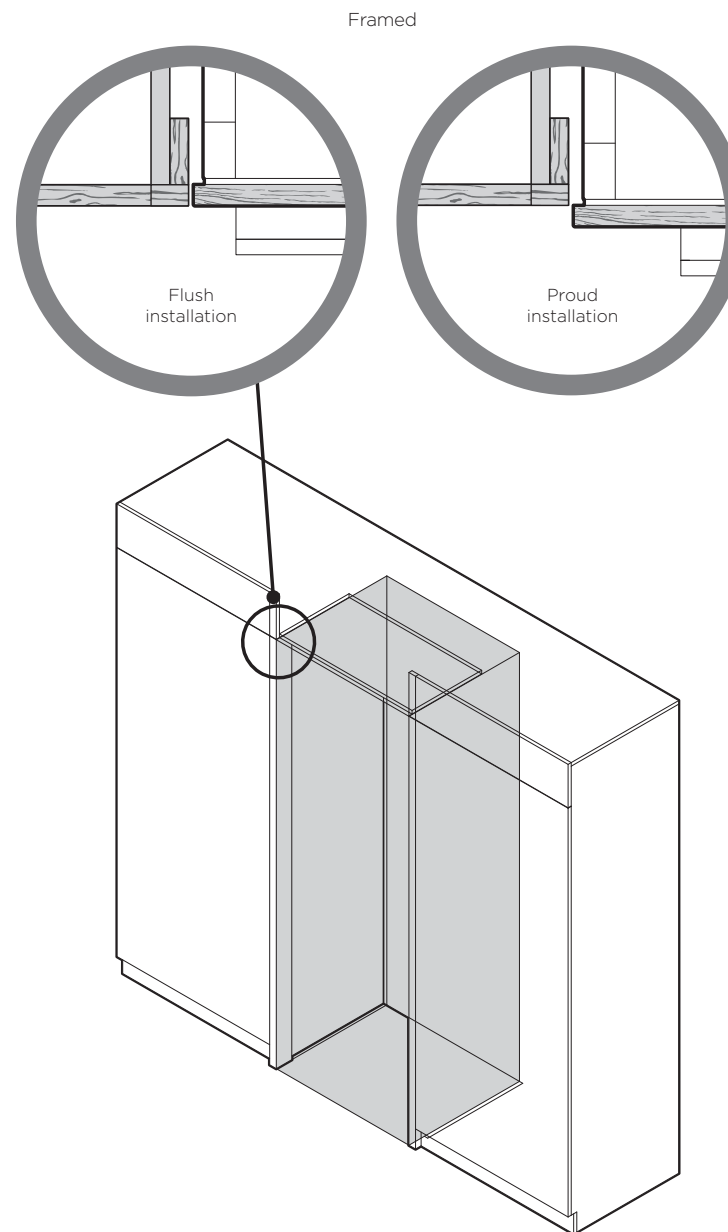


## ④ CABINETY OPTIONS

### FRAMELESS CABINETY (Frameless: Aligns the product with the cabinetry)

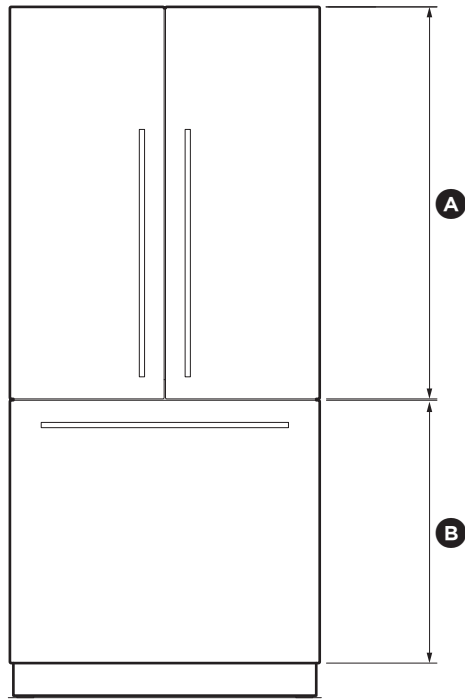


### FRAMED CABINETY (Framed: Aligns the product with the frame of the cabinetry)

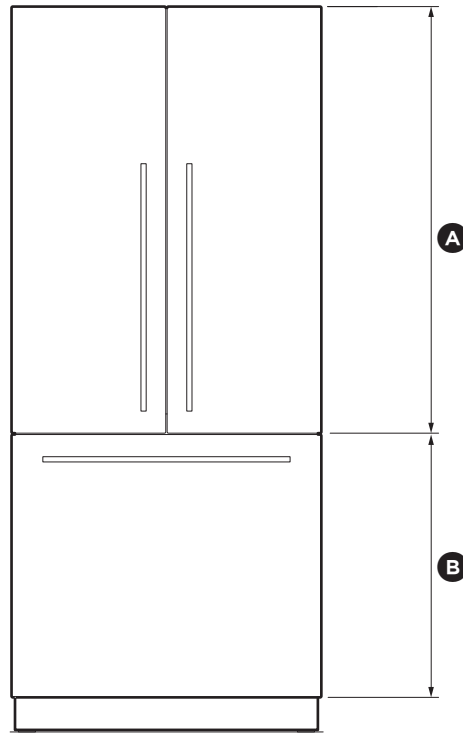


Note: Drawings are only for reference and not the actual cavity width of the cabinetry.

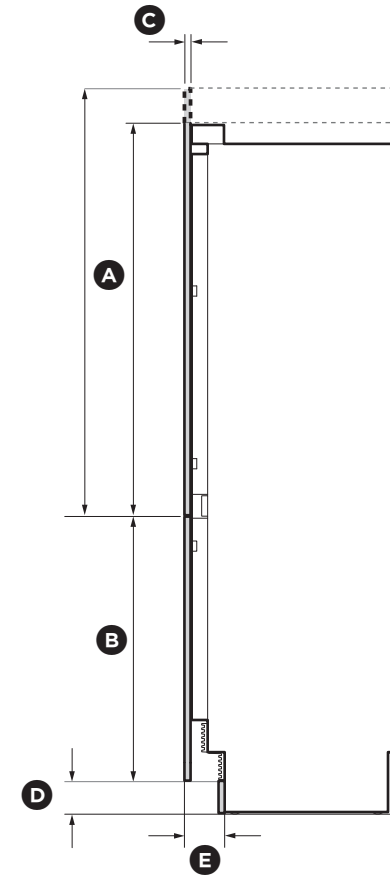
## ⑤ STAINLESS STEEL DOOR PANEL AND TOE KICK DIMENSIONS



**RD3680 DOOR PANEL SET**



**RD3684 DOOR PANEL SET**



DOOR PANEL SETS DIMENSIONS	RD3680 inches (mm)	RD3684 inches (mm)
Ⓐ Height of top door panels	45 1/4" (1150)	49 5/16" (1252)
Ⓑ Height of bottom drawer panel	30 3/8" (772)	30 3/8" (772)
Ⓒ Depth of product front panels (excluding handles)	3/4" (19)	3/4" (19)

Note:

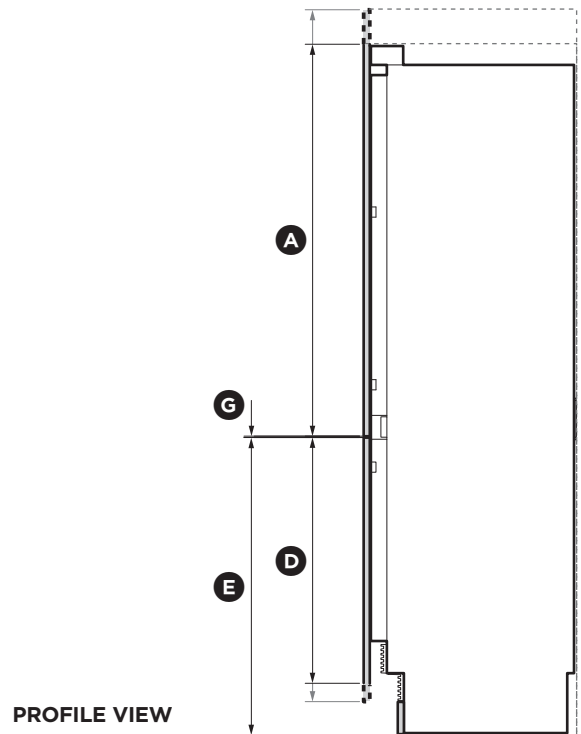
- Optional Fisher & Paykel Stainless steel front panels. Model no. RD3684 (non-Water dispensing model) and model no. RD3684U (Ice & Water model).

TOE KICK PANEL DIMENSIONS	inches (mm)
Ⓓ Height of toe kick panel	4" (102)
Ⓔ Depth of toe kick (measured from front of door panels)	4 3/4" (120)

Note:

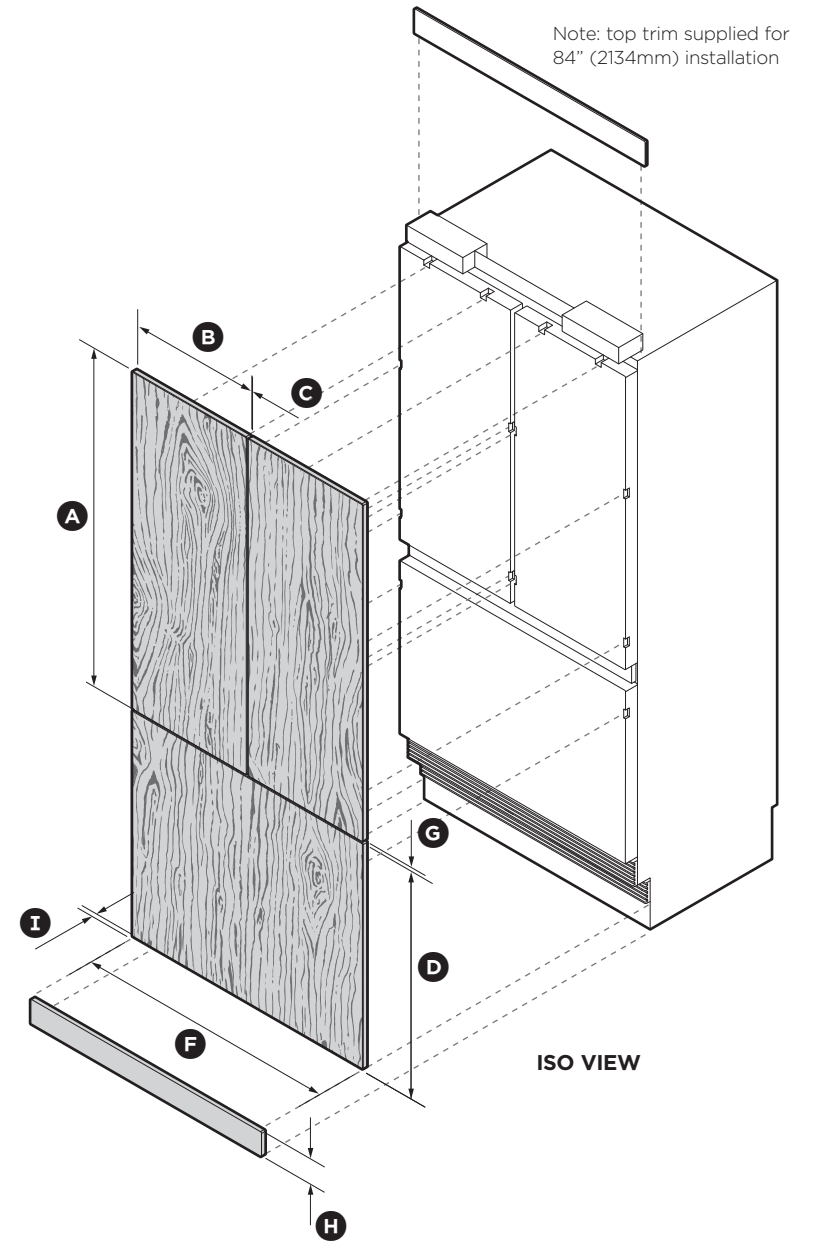
- Stainless steel toe kick, height 4" (102mm) is supplied with the refrigerator. For integrated installation, customers can supply their own toe kick, height 4 - 6" (102 - 152mm).
- The bottom grille can be reduced to allow for a higher toe kick (eg 6" (152mm)). Adjust the height of the bottom drawer panel accordingly.

## 6 CUSTOM DOOR PANEL AND TOE KICK DIMENSIONS



DIMENSIONS	inches (mm)
Ⓐ Height of top door panel	45 1/4 - 49 5/16" (1150 - 1252)
Ⓑ Width of top door panel	17 3/4" (451)
Ⓒ Gap between top door panels	3/16" (4)
Ⓓ Height of bottom drawer panel	28 7/16 - 30 3/8" (722 - 772)
Ⓔ Height from bottom of product to top of bottom drawer panel	34 7/16" (874)
Ⓕ Width of bottom drawer panel	35 11/16" (906)
Ⓖ Gap between top door panels and bottom drawer panel	3/16" (4)
Ⓗ Height of toe kick panel	4 - 6" (102 - 152)
Ⓘ Depth of custom door panels	min. 3/16" - max. 3/4" (min. 16 - max. 19)
Maximum weight of each top door panel (with handle)	22 pounds (10kg)
Maximum weight of bottom drawer panel (with handle)	24 1/4 pounds (11kg)

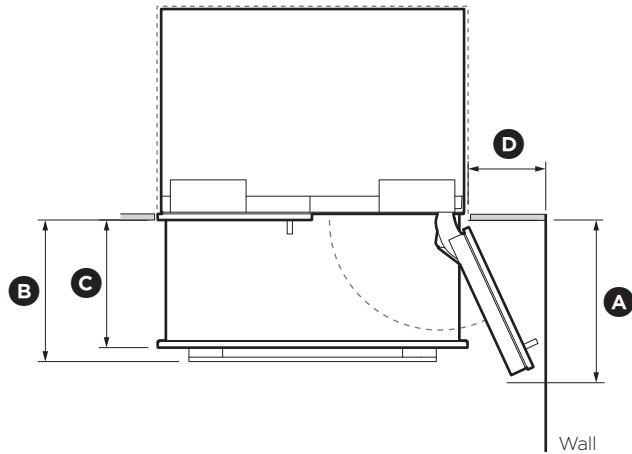
- Note:
- Custom door panels to be manufactured and fitted by cabinetmaker.
  - Custom toe kick should be designed at 4 - 6" (102 - 152mm) relative to door/drawer panel height.
  - The bottom grille can be reduced to allow for a higher (eg 6" (152mm)) toe kick. Adjust the height of the bottom drawer panel accordingly.



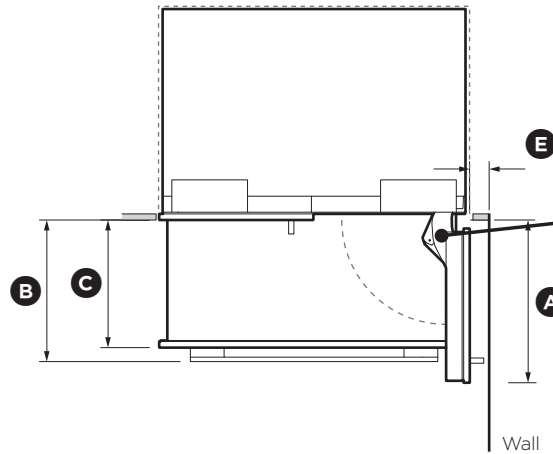
Custom door panels can be only be used for non-Water dispensing models.



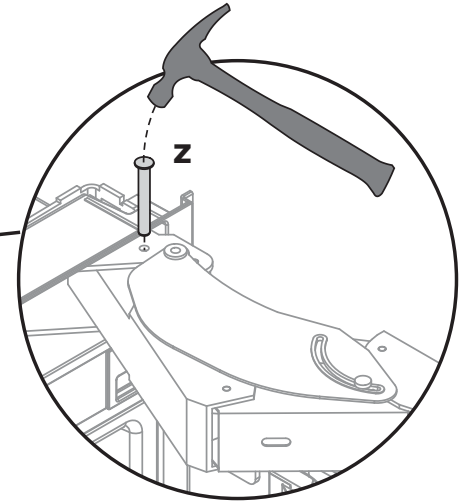
## 8 DOOR OPENING ROTATION



**115° DOOR OPENING  
(FULL ROTATION)**



**90° DOOR OPENING**



<b>DOOR CLEARANCE DIMENSIONS</b>		<b>RS3680/RS3684</b>
		<b>inches (mm)</b>
A	Depth of door (widest opening) measured from front of door	18 7/8" (480)
B	Depth of drawer (open) measured from front of drawer, including handle	15 3/4" (400)
C	Depth of drawer (open) measured from front of drawer, excluding handle	14 3/16" (360)
D	Minimum door clearance* to adjacent wall (115° - full internal access)	12 3/8" (315)
E	Minimum door clearance* to adjacent wall (90° - reduced internal access)	4 5/16" (110)

\* Measured from front cabinetry edge. An additional 3/4" (20mm) is required when using RD3680C and RD3684C door panel sets.

For 90° door swing a hinge limiting pin is supplied with your refrigerator. This pin fits in the boreholes of the top hinge (refer to **Z**).

### **WARNING!**

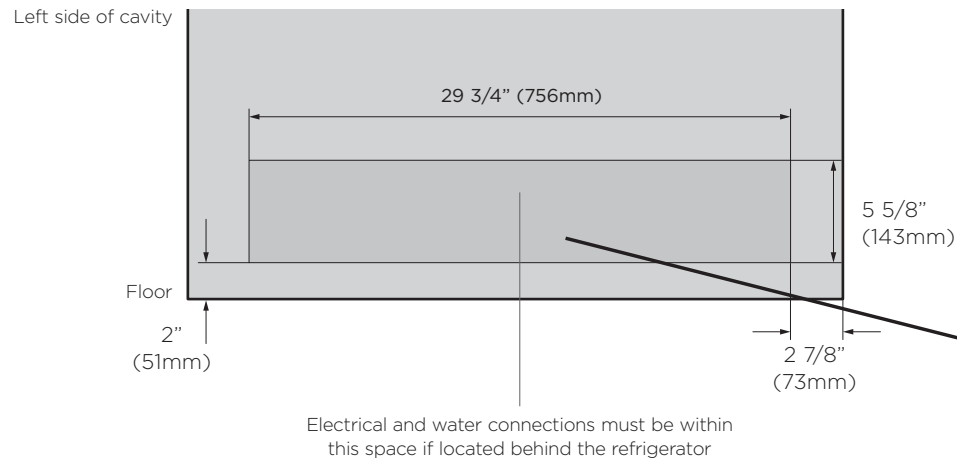
**Before opening doors to the product, ensure the product is on its base packer and the polystyrene stability blocks are still in place. Failure to follow these instructions could lead to serious injury or death.**

- ① Open door to 90°.
- ② Align the hinge limiting pin vertically with the bore hole.
- ③ Use a hammer to drive the pin through the bore hole.

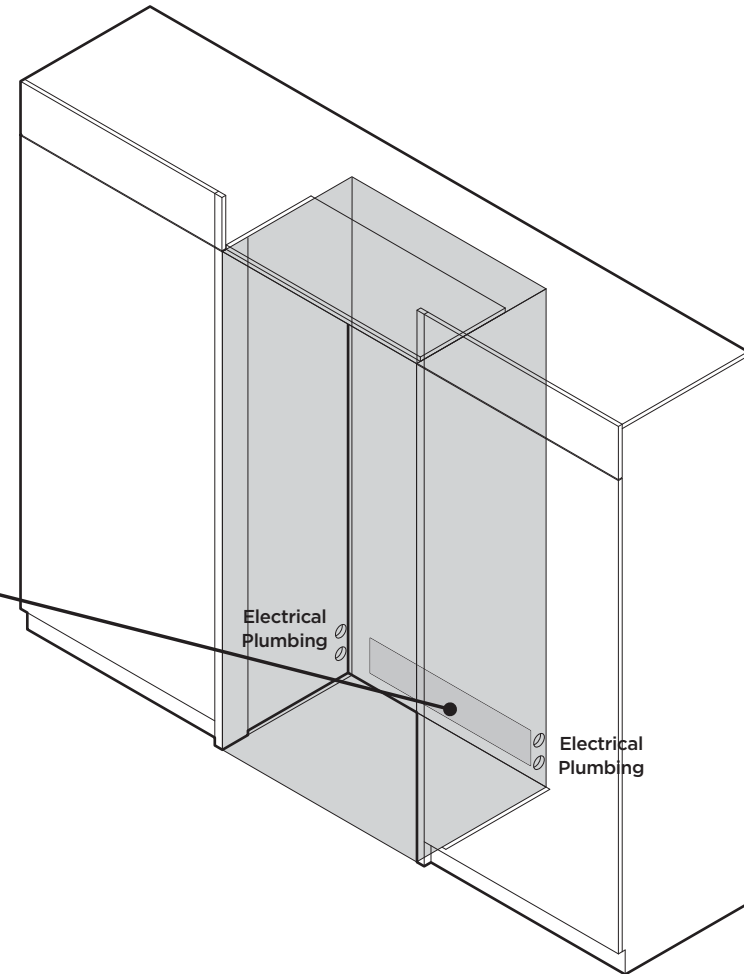
## 9 ELECTRICAL AND PLUMBING

### WARNING!

Electrical shock hazard. Assume all parts are live.  
Disconnect supply before servicing and installation.



### REAR OF CAVITY



**Note: We recommend to use an isolating switch that is easily accessible to the user after the refrigerator is installed.**

#### ELECTRICAL SPECIFICATIONS

Supply	115VAC, 60Hz
Service	10 amp circuit

#### PLUMBING SPECIFICATIONS

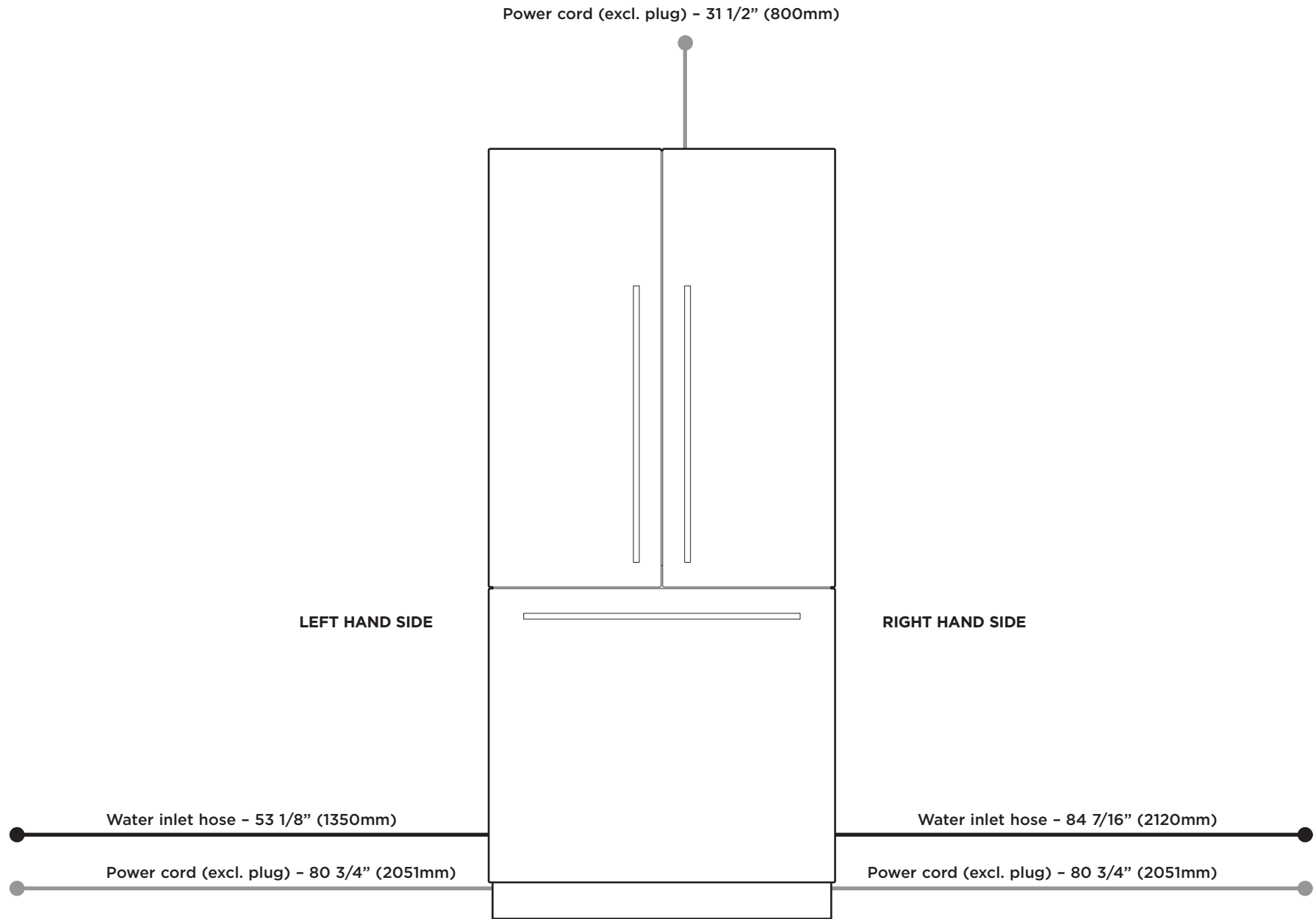
Supply	1/4" (6mm) comp. Stainless steel braided hose
Pressure	min. 22psi (150kPa) max. 120psi (827kPa) @ 68°F (20°C)

Note:

- Electrical connection can be located in an adjacent cabinet to either side of the fridge or above the fridge cavity.

9 ELECTRICAL AND PLUMBING

Maximum distance of hose and power cord



**IMPORTANT!**

- Ensure your refrigerator is not exposed to any heat generating appliance eg cooktop, oven or dishwasher.
- The refrigerator has front and rear rollers for moving the refrigerator forward and backward. Do not move the refrigerator sideways to avoid damaging the rollers or the floor covering/surface.
- The refrigerator must be installed by a qualified installer, or Fisher & Paykel trained and supported service technician to avoid faulty electrical connection and water leaks.
- All connections for water, electrical power and grounding must comply with local codes and ordinances and be made by licensed personnel when required.
- Avoid installation of the refrigerator/s under a ground fault circuit interrupter (GFCI).
- Ensure the refrigerator is installed properly. Improper installation that results in refrigerator failure is not covered under the refrigerator warranty.

**Check the installation location**

**Check the cabinetry**

- Check the dimensions of the cabinetry (width, depth, height, floor level, finished alcove returns).
- Ensure that the ventilation openings in the cabinetry are clear of obstruction.
- For integrated installation, a finished return of solid material is required across the top and sides of the new or existing alcove.
- It is recommended that the return should be at least 3 1/2" (90mm) deep across the sides. Refer to 'Cavity Dimensions' prior to installation of the refrigerator.

**Check the power supply connection**

- Ensure that there is a separate power outlet for each refrigerator.
- Avoid sharing the power point with other appliances to prevent the refrigerator from accidentally switching off.
- For power requirements, refer to the information on the serial plate. This is located at the front right-hand side of the drawer when open.
- Ensure your refrigerator is properly grounded (earthed).
- Connect the refrigerator to the electrical supply (115VAC, 60Hz) with fitted plug and lead.
- We recommend to use an isolating switch that is easily accessible to the user after the refrigerator is installed.
- Follow the National Electrical Code and all local codes and ordinances when installing this refrigerator.

**Check the water supply connection (for Ice & Water models only)**

- Your product must be installed by a qualified refrigerator installer as incorrect plumbing can lead to water leaks.
- Fisher & Paykel is not liable for damage (including water damage) caused by faulty installation or plumbing.

**Check your refrigerator**

- Ensure that your refrigerator is the correct model as per your order.
- Ensure that the packaging is not damaged upon delivery.
- Check that the components and install kits are complete.

**Prepare the door panel set**

- The refrigerator does not include a door panel set.
- Custom door panels are designed only for non-Water dispensing models.
- To complete the integrated refrigerator for non-Water dispensing models, the customer should supply their own custom door panel set.
  - All the hardware required to mount the door panel sets to the refrigerator doors is supplied with the refrigerator.
- Door panel sets are available through your Fisher & Paykel dealer.
  - Fisher & Paykel door panel sets are available (Stainless steel door panels)
  - Model numbers: RD3680, RD3680U, RD3684 and RD3684U.
- Handle sets are optional for custom door panels and can also be purchased through your Fisher & Paykel dealer.



## 11 ATTACH ANTI-TIP BRACKET

### IMPORTANT!

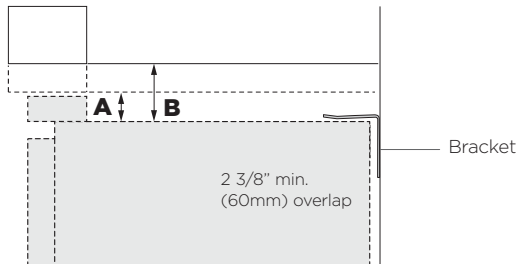
- Ensure the refrigerator door is closed when rolling into cabinetry.
- **DO NOT** attempt to open the door until refrigerator is fully installed.
- The anti-tip bracket and fittings supplied must be fitted to the wall of finished enclosure to withstand 220 lbs (100kg) load.
- Ensure that anti-tip bracket is installed correctly to prevent the refrigerator tipping forward when door is open.

### WARNING!

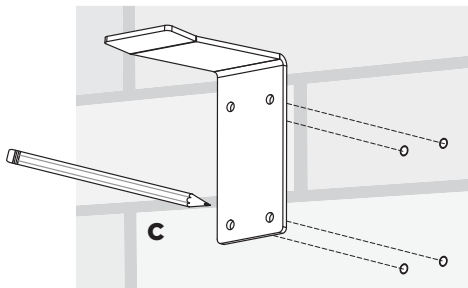
- Read the following reminders before fastening with masonry plugs and/or screws:
- Ensure the screws avoid electrical, gas and water conduits.
  - Ensure the surface of the bracket is fastened to withstands a 220.5 pound (100kg) load.
  - Ensure light-weight masonry material such as cinder block and new concrete (no curing time) are not used in installation.
  - Do not use metallic materials that may corrode, stain and/or damage the enclosure.

- ① Project the end of above finished enclosure to the center of back wall and measure vertically from projection line.  
**(A)** 2 7/16" (62mm) for 80" (2032mm) cavity installation  
**(B)** 6 7/16" (164mm) for 84" (2134mm) cavity installation

This will locate the contact surface between bracket and top surface at the back end of refrigerator. Ensure a structural beam/wall stud closest to the center of wall enclosure is located.



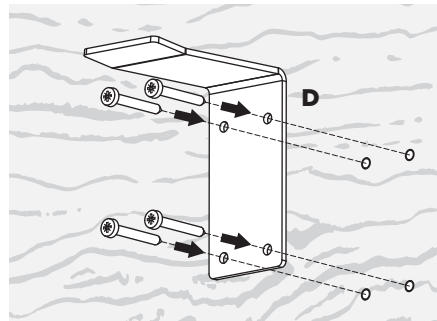
- ② Mark the screw locations of the anti-tip bracket on the wall based on the most central wall stud **(C)**.
- If there are no wall studs, install the bracket to solid brick walls with masonry plugs. (Not recommended to be used on perforated brick or hollow concrete bricks.)



- ③ Drill  $\varnothing 1/4"$  x 1 3/8" ( $\varnothing 6\text{mm}$  x 35mm) deep screw holes to the marked locations.

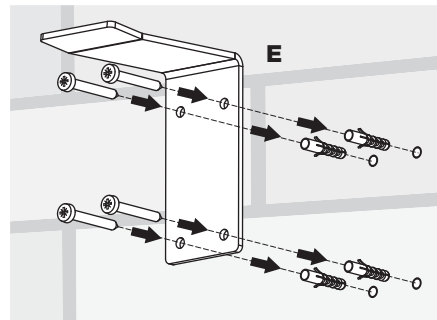
- ④ For wooden/plaster board wall installation:

- Fix the bracket to the wall #10x40 pan head Phillips screws (4x), and screw tightly **(D)**.



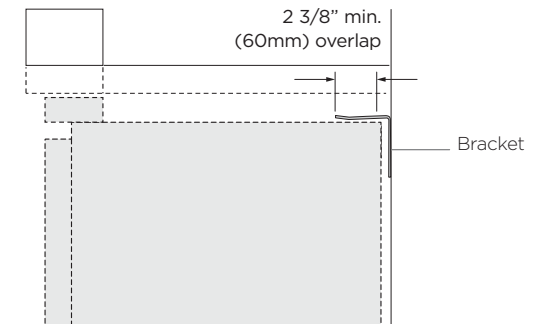
- ⑤ For solid wall installation:

- Hammer masonry plugs (4x) into the wall until flush.
- Fix the bracket to the wall with #10x40 pan head Phillips screws (4x), and screw tightly **(E)**.

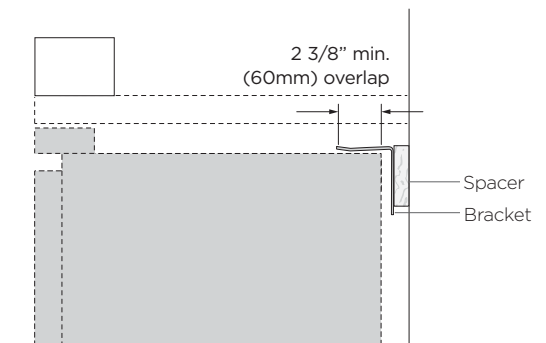


### IMPORTANT!

When positioning the refrigerator in the cabinetry, ensure that the bracket overlaps the refrigerator by a minimum 2 3/8" (60mm) for a secure hold.



If the minimum 2 3/8" (60mm) overlap cannot be achieved, install a solid spacer to the wall stud behind the bracket.



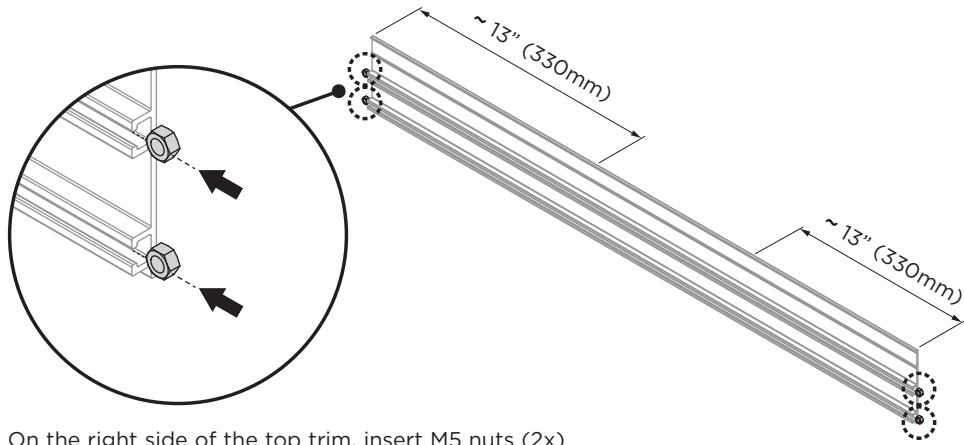
Ensure the length of the spacer corresponds to the enclosure's width. Always secure the spacer to existing studs on the enclosure wall.

## 12 ATTACH TOP TRIM - FOR 84" (2134mm) CAVITY

### WARNING!

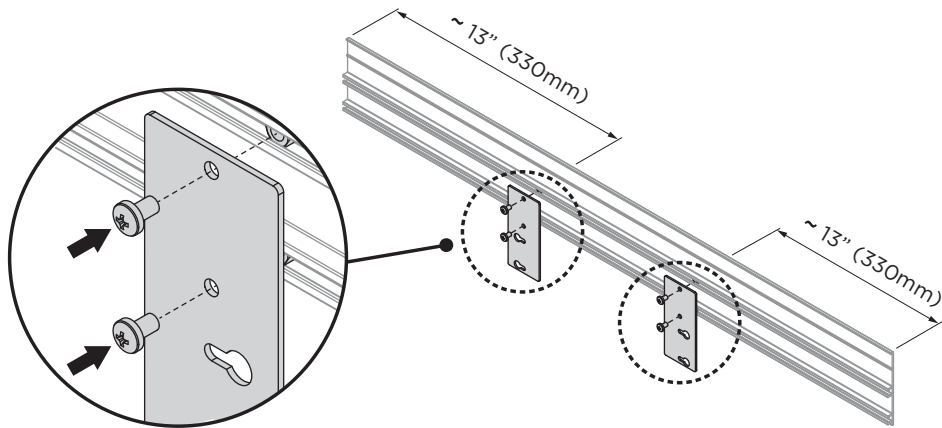
Be careful when working with the refrigerator outside of the finished enclosure. Ensure that the refrigerator is secured to prevent tipping forward. Tipping of refrigerator can lead to serious injury or death.

- ① Ensure all external packaging material is removed from the refrigerator before installation.



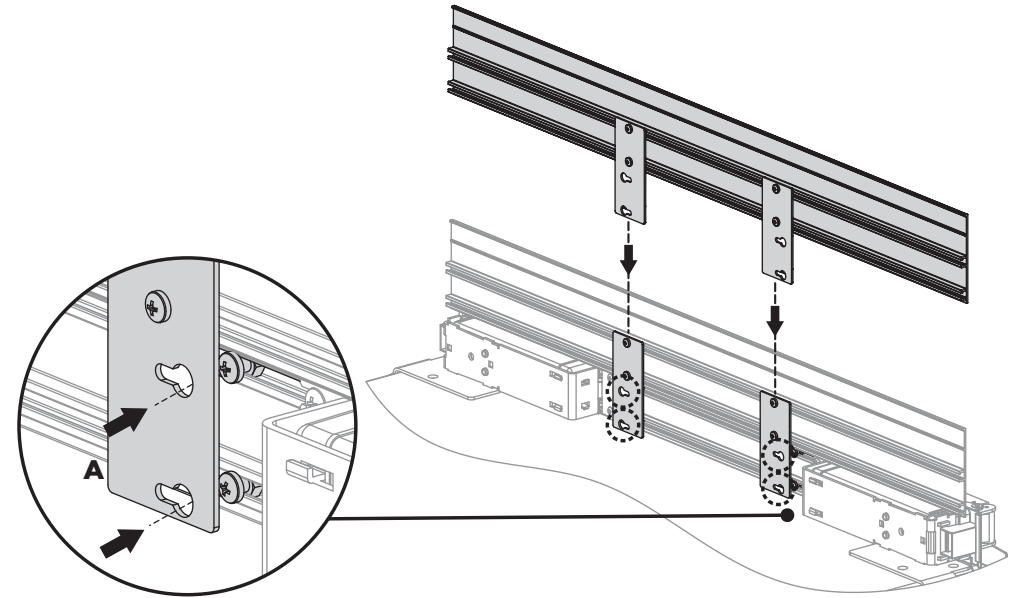
- ② On the right side of the top trim, insert M5 nuts (2x) into the top and bottom side. Slide the nuts towards the center of the trim, ~ 13" (330mm).

Repeat this process on the opposite side.

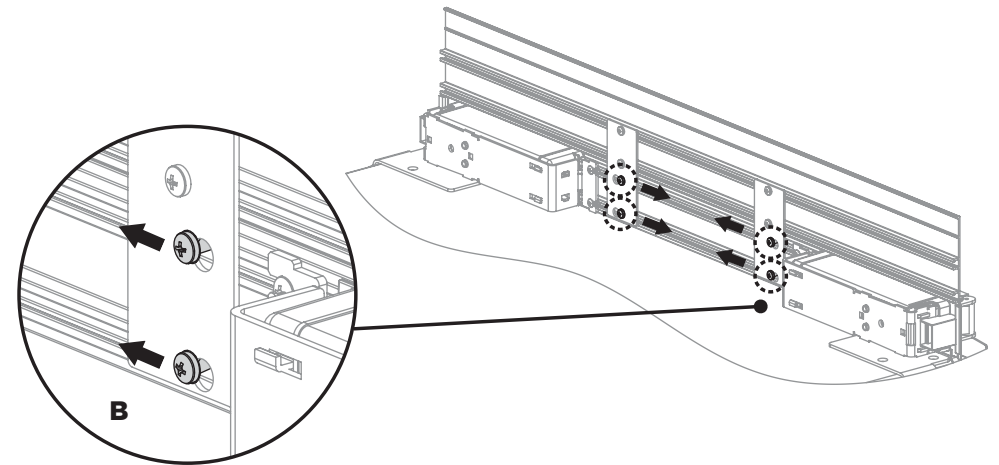


- ③ Position joining brackets over the M5 nuts. Thread M5x8 pan head Phillips screws (2x) through bracket hole and secure.

Repeat this process on the opposite side.

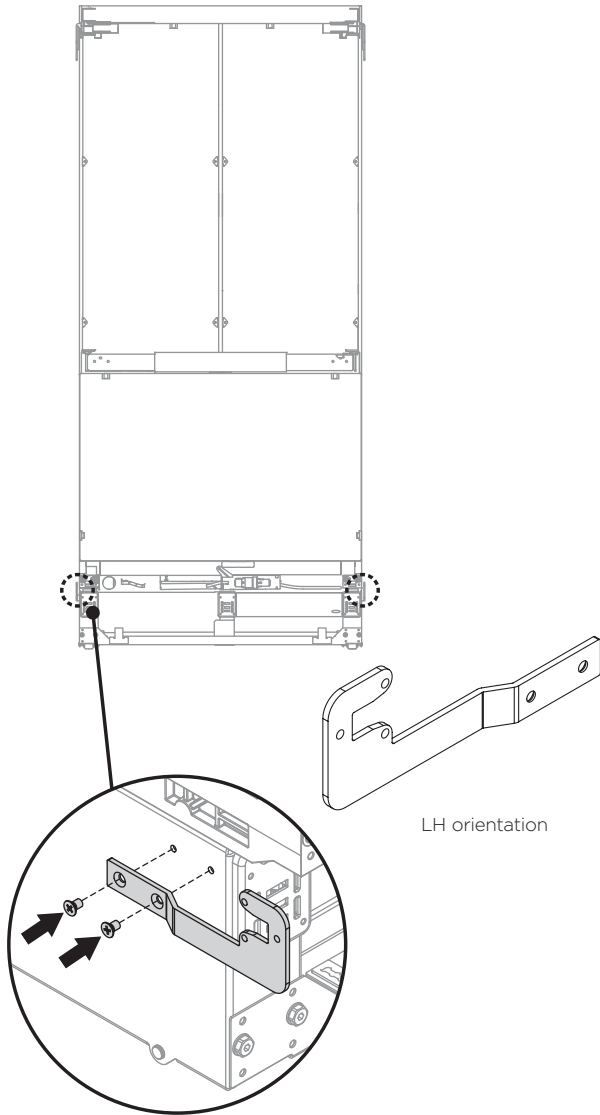


- ④ At the top of the refrigerator, place the assembled top trim behind the existing refrigerator trim. Bring the top trim forward and insert screw heads through the key holes of the joining brackets (A).



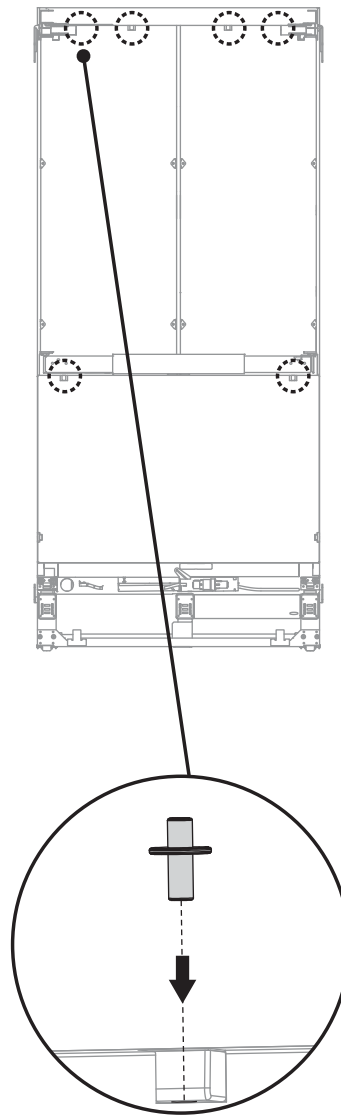
- ⑤ Slide the screws located on the refrigerator sideways towards the narrow side of the key holes on the joining bracket, and tighten screws to lock top trim in position (B).

### 13 ATTACH SIDE BASE BRACKETS AND DOOR STUDS



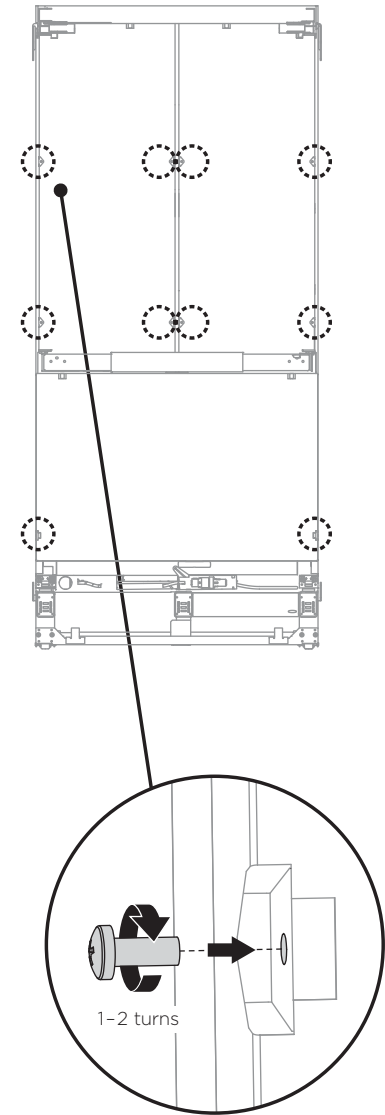
- 1 Ensure all external packaging materials are removed from the refrigerator before installation.
- 2 Fix the LH side bracket to the base LH side of the refrigerator with two M5x8 countersunk Phillips screws.

Repeat this process on the RH side of the refrigerator.



- 3 Secure M8 studs into the refrigerator doors. Ensure the open end faces the top and the studs go all the way in.

Repeat this process for all refrigerator doors.



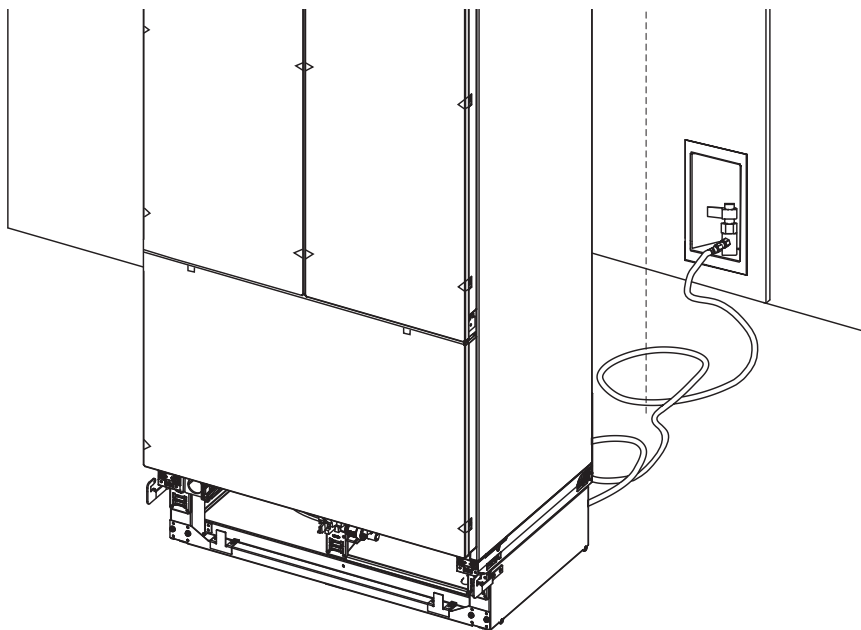
- 4 Loosely screw (1-2 turns) M5x10 pan head Phillips screws into doors.

Repeat this process for all refrigerator doors.

## 14 CONNECT TO WATER AND ELECTRICAL SUPPLY

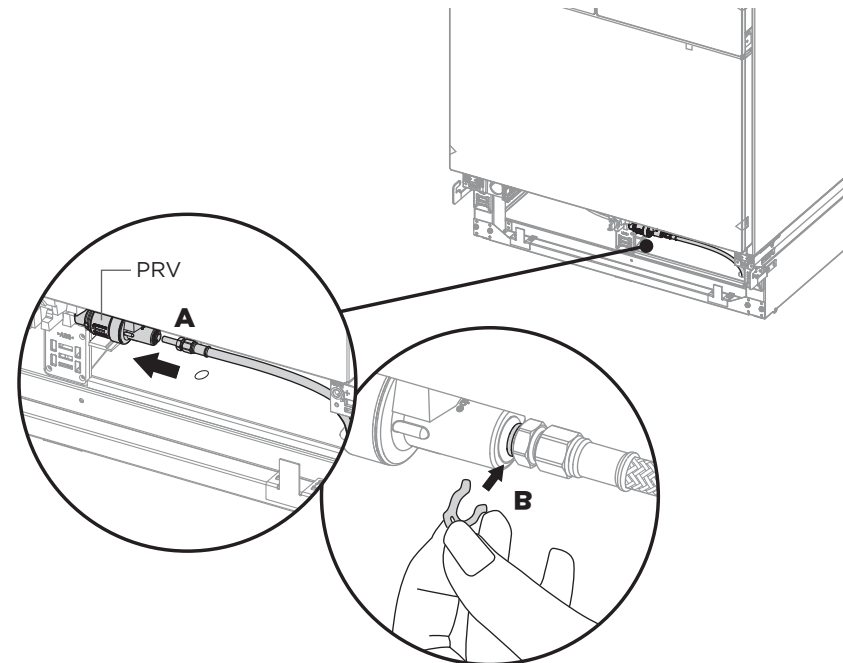
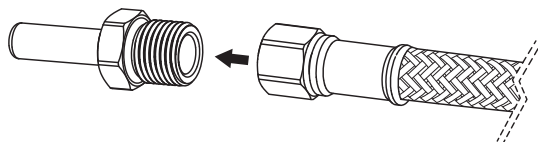
### IMPORTANT!

- The water connection instructions below are intended only for the professional installer.
- The standard refrigerator includes a braided water line hose compatible with a brass adaptor.
- Ensure the refrigerator is NOT plugged into a power supply.
- Ensure there is enough tubing for the water connection and to pull the refrigerator out for service, if required.



- 1 Flush water through the hose prior to connection to the refrigerator to remove any debris in the hose.
- 2 Move the refrigerator in front of the cabinetry close enough to allow access behind for power and water connections.
- 3 At the front of the refrigerator, connect an adaptor to one end of the braided water line hose.

Note: The adaptor is not required for installation, if 1/4" PEX plastic tubing is used.



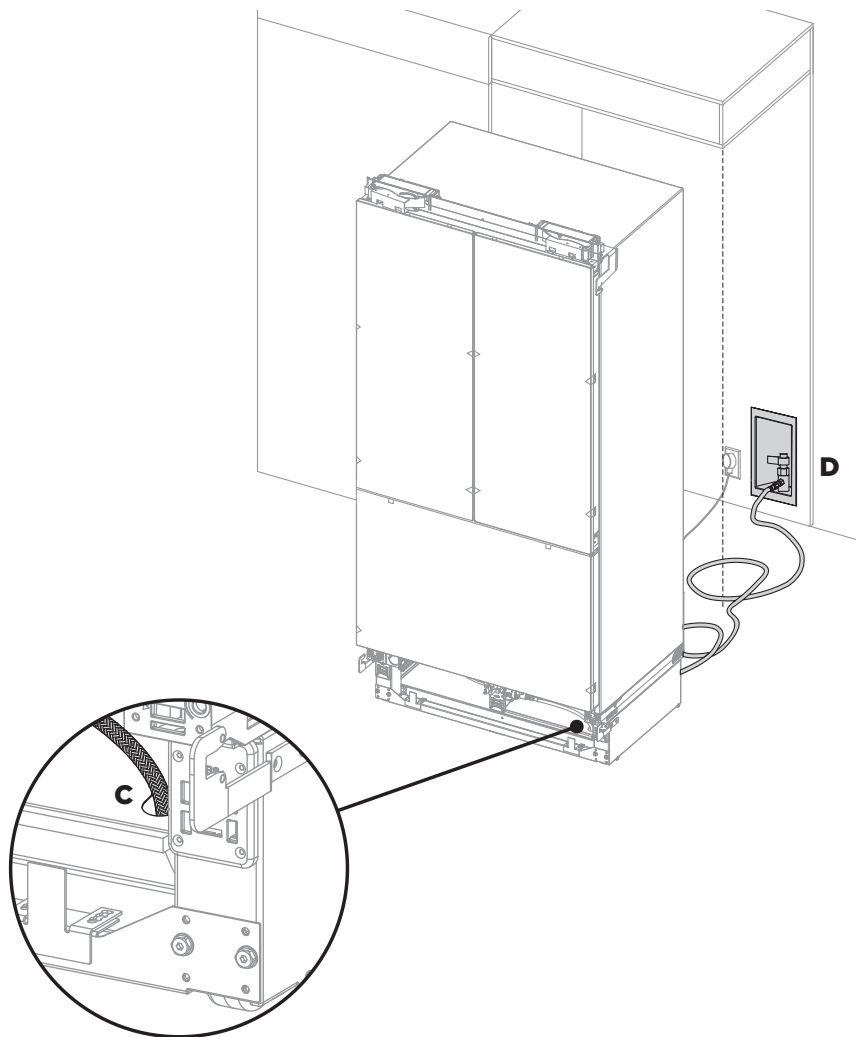
- 4 Insert the tube end of the adaptor fully into the PRV. Once inserted, pull gently on tubing to ensure it is locked in (A).

Note: Dislodge the PRV from the clips, if required.

- 5 Secure the connection by attaching the locking key in between the PRV and tube end of the adaptor (B).

Note: If the PRV is dislodged for installation (3), mount the PRV back into the clip.

## 14 CONNECT TO WATER AND ELECTRICAL SUPPLY

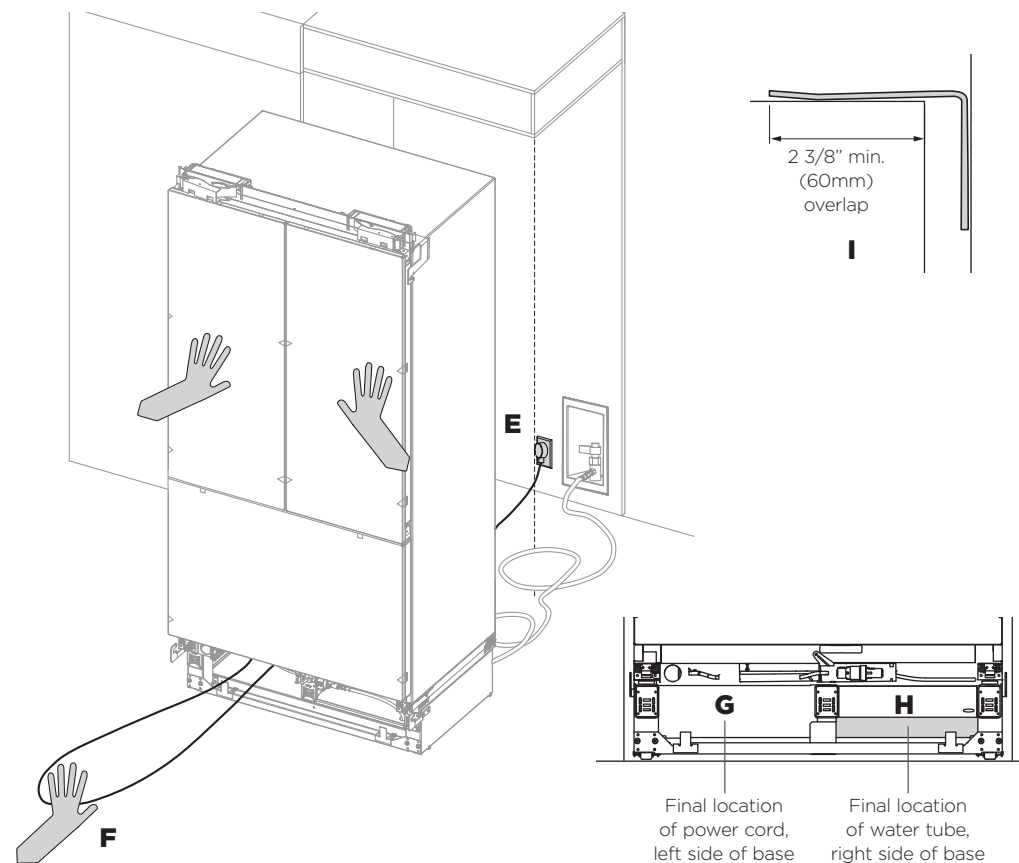


- ⑤ Thread the free end of the water line hose into the hole located at the base of the refrigerator (C), and through the back of the refrigerator.

- ⑥ At the back of the refrigerator, loosely coil the water line hose (~2-3 times) and fasten the end of the hose to the cold water supply (D).

Note: Do not over-tighten the connection. Turn the isolating faucet on and check that all connections are dry and free of drips.

- ⑦ At the back of your refrigerator, connect the refrigerator to the electrical supply (115VAC, 60Hz) with the fitted plug and lead, and turn on. Ensure the refrigerator is connected to its own isolating switch. (E)



### IMPORTANT!

Ensure the hose is not run over by the refrigerator when pushing into the cabinetry to prevent damage and possible water leaks.

### WARNING!

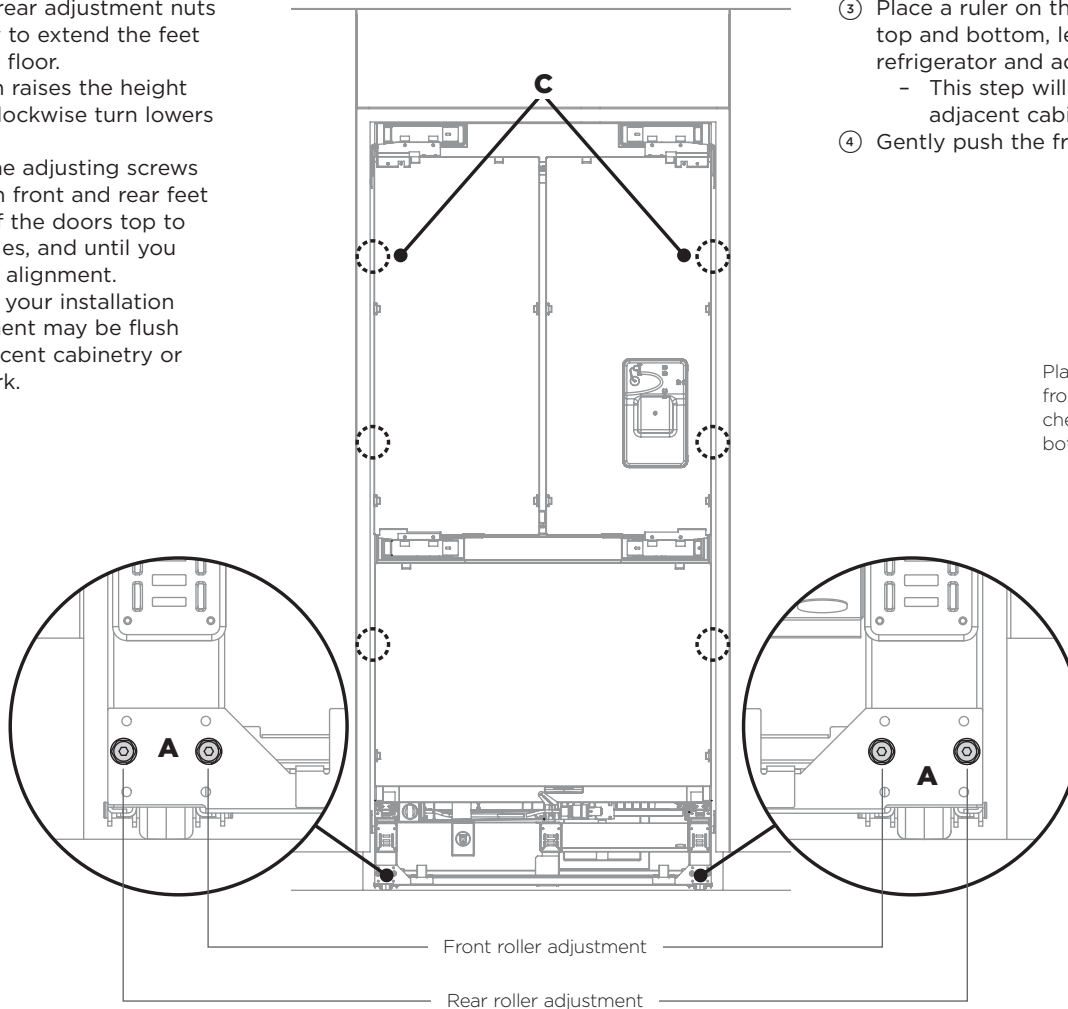
Failure to follow this instruction can lead to serious injury or death.

- ⑧ **Pushing the refrigerator into the correct position:**
- Stop midway, reach through base to locate power cord. Pull power cord through the front left side of the refrigerator (F), tucking it neatly in the left side of the base (G).
  - Reach through base to locate the water line hose coil. Tuck the coil neatly into the front right side of the base (H).
  - Push the refrigerator until the doors are in line with the frame. Ensure the refrigerator is centered.
  - Ensure there is firm contact between the refrigerator and anti-tip bracket with a 2 3/8" min. (60mm) overlap (I).

**IMPORTANT!**

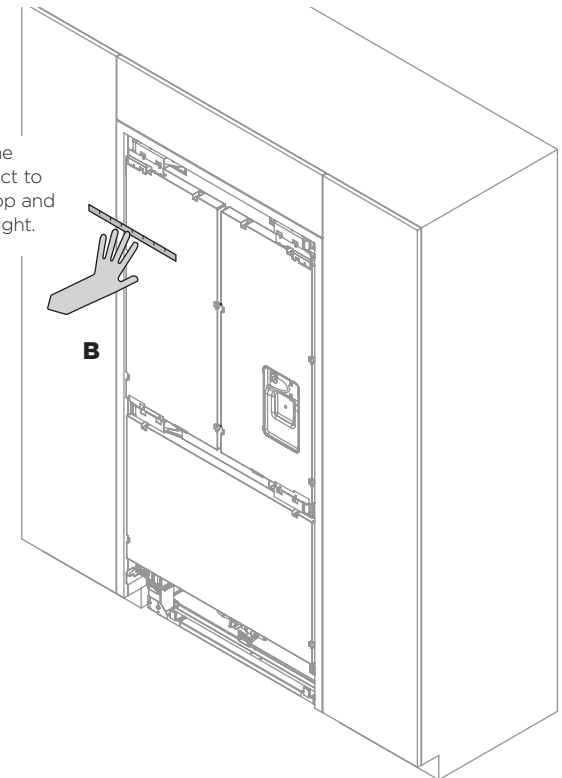
- It is important that the doors are in line with the frame and the refrigerator is centered before following these steps.
- It is important that all four corners of the refrigerator are supported firmly onto the floor to eliminate any movement.
- Installing the refrigerator on a soft, uneven, or not level floor may result in twisting of the product and poor door sealing.
- Raise the refrigerator using a 7/16" (11mm) hex socket or 3/16" (4mm) hex key. One turn of height adjusting nuts is equivalent to 1/16" (1mm) height travel.  
Note: maximum travel is 13/16" (20mm).
- Use low torque setting to avoid damage to height adjustment system.
- Failure to achieve flushness top to bottom and/or uneven gaps left to right greater than 1/16" (1.5mm) can lead to difficulties achieving final alignment.  
Final alignment will be achieved once door panels have been installed and the refrigerator is pushed back to sit flush with cabinetry.

- 1 Turn the front and rear adjustment nuts (A) using a hex key to extend the feet until it engages the floor.
  - Clockwise turn raises the height and counter-clockwise turn lowers the height.
- 2 Continue turning the adjusting screws alternately between front and rear feet to align the front of the doors top to bottom on both sides, and until you achieve the correct alignment.
  - Depending on your installation design, alignment may be flush with your adjacent cabinetry or your framework.



- 3 Place a ruler on the front of the product (B) to check flushness top and bottom, left and right. Check the gaps between refrigerator and adjacent cabinetry are even on both sides (C).
  - This step will help ensure the refrigerator is level with the adjacent cabinetry.
- 4 Gently push the front of the product to check the stability.

Place a ruler on the front of the product to check flushness top and bottom, left and right.

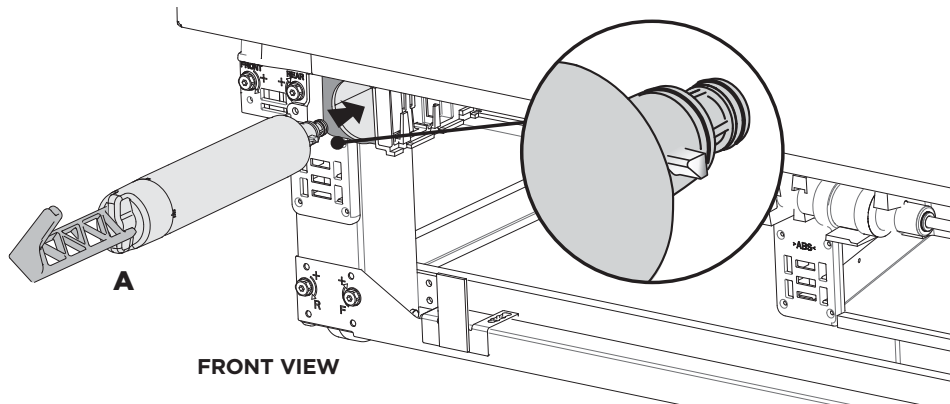


**IMPORTANT!**

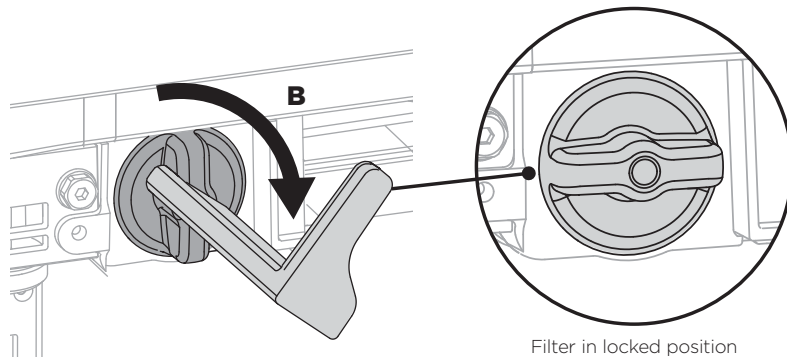
- The water filter head must be firmly pushed into the product and secured. incorrect installation can lead to water leaks.

**Installing the water filter**

- 1 Remove the plastic wrapping of the new filter.
- 2 Pull the freezer drawer out slightly and insert the filter into the casing at the bottom left corner of the refrigerator. Ensure the filter handle is positioned vertically (**A**).
- 3 Push the cartridge firmly inside the casing all the way into the filter head.



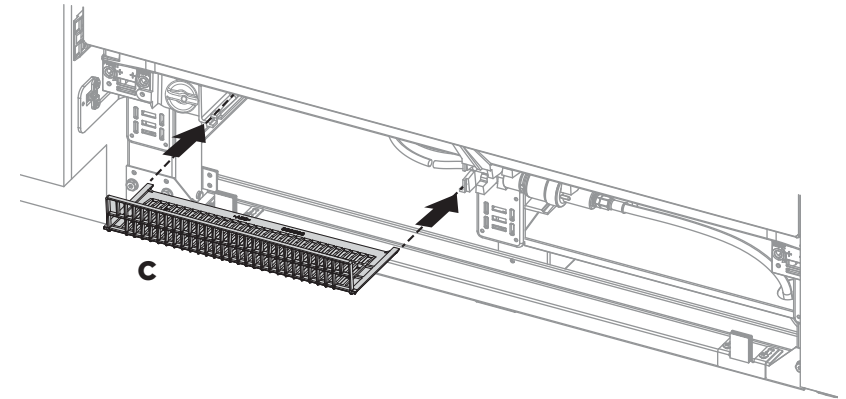
- 4 Align the filter removal tool over the filter handle and turn 90° clockwise to tighten (**B**). Remove filter removal tool and close the freezer drawer.

**Flushing the water filter**

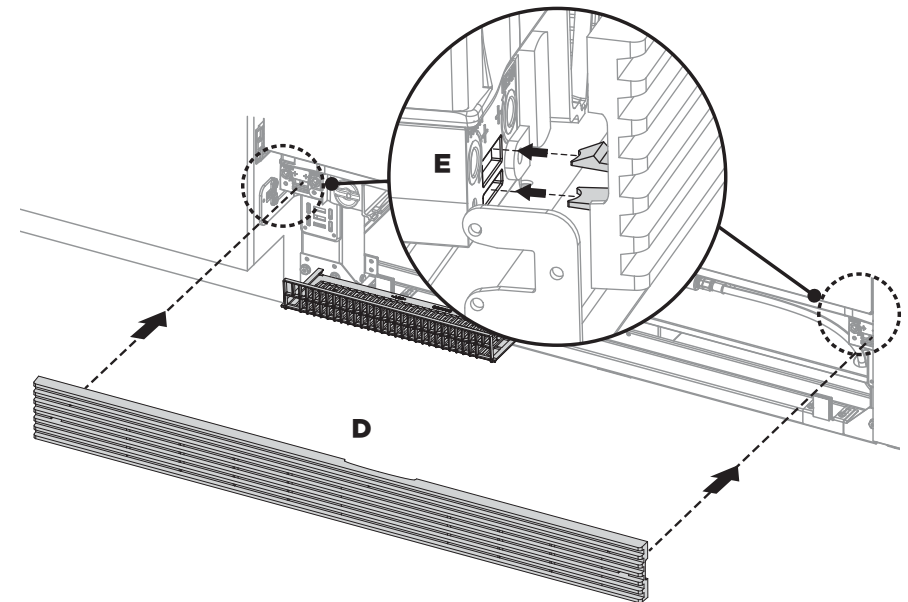
- 5 Before turning on your automatic ice maker, the water filter must be flushed to remove any impurities or trapped air in the water tank and filter system. Refer to the user guide 'Operating instructions – Automatic ice maker' for more information.

**Installing the toe kick filter and grille**

- 6 Remove filter from inside the product. Fit the filter onto the rails and push to the rear until it clips securely (**C**).



- 7 Ensure the top grille is inserted in the correct orientation (**D**). Align the top grille clips to the top plinth slots then firmly push grille onto refrigerator until the clips engage (**E**).



## 17 ASSEMBLE DOOR PANEL SET

The assembly of Fisher & Paykel (Stainless steel) door panels and custom door panels are outlined below. To protect the finish of the Fisher & Paykel Stainless steel door panels, leave protective film on the panels when hanging and remove film only when installation is complete.

If using custom door panels, ensure they are prepared as per 'Custom door panel installation dimensions' section.

### French door panels

#### 1 Mounting handle (A)

For Fisher & Paykel door panel sets, remove the plastic plugs from the handle holes (4x). Align the handle to the holes and secure with M5x25 pan head socket screws (4x).

For custom panels, ensure the handle is secured 2 9/16" (65mm) from the inner edge of the panel to the center. This will avoid interference with the bracket installation.

#### 2 Hanging bracket (B)

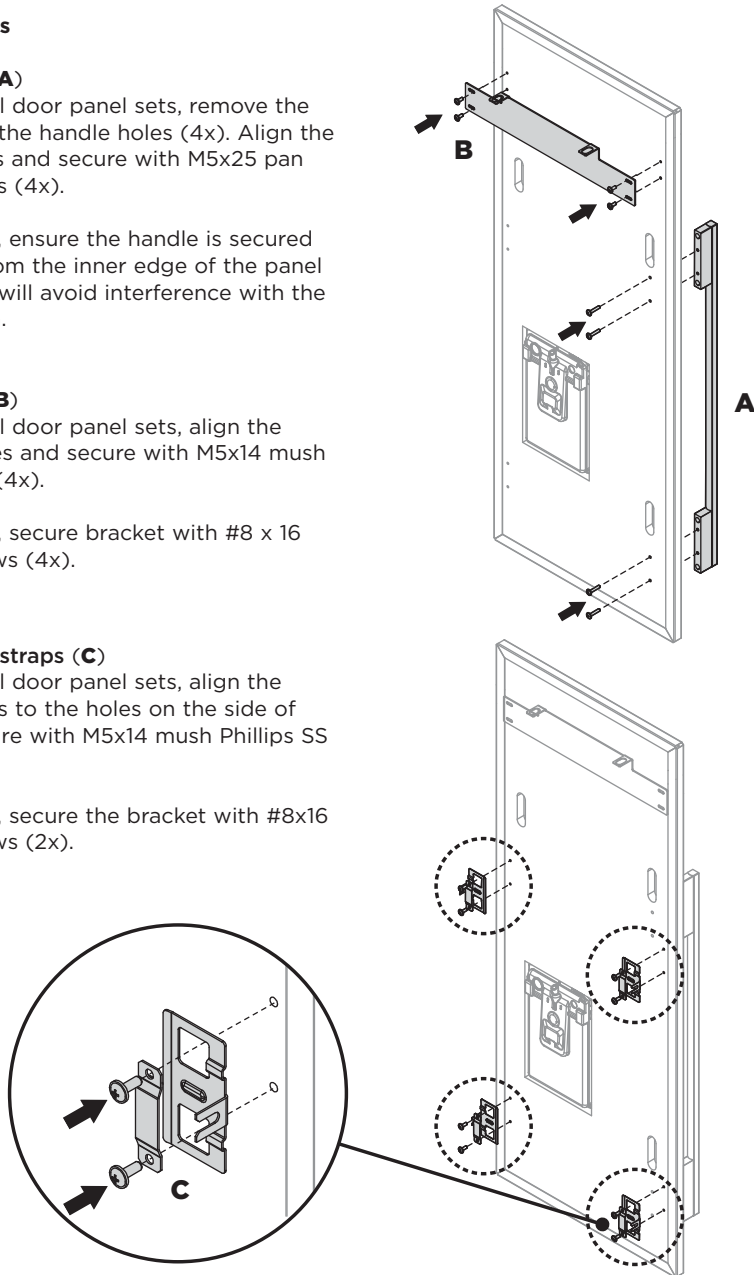
For Fisher & Paykel door panel sets, align the bracket to the holes and secure with M5x14 mush Phillips SS screws (4x).

For custom panels, secure bracket with #8 x 16 mush washer screws (4x).

#### 3 Side brackets and straps (C)

For Fisher & Paykel door panel sets, align the brackets and straps to the holes on the side of the panel and secure with M5x14 mush Phillips SS screws (2x).

For custom panels, secure the bracket with #8x16 mush washer screws (2x).



### Drawer door panel

#### 4 Mounting handle (D)

For Fisher & Paykel door panel sets, remove the plastic plugs from the handle holes (4x). Align the handle to the holes and secure with M5x25 pan head socket screws (4x).

For custom panels, ensure handle screw heads are counter sunk into the back of the panel to avoid interference with hanging bracket.

#### 5 Hanging bracket (E)

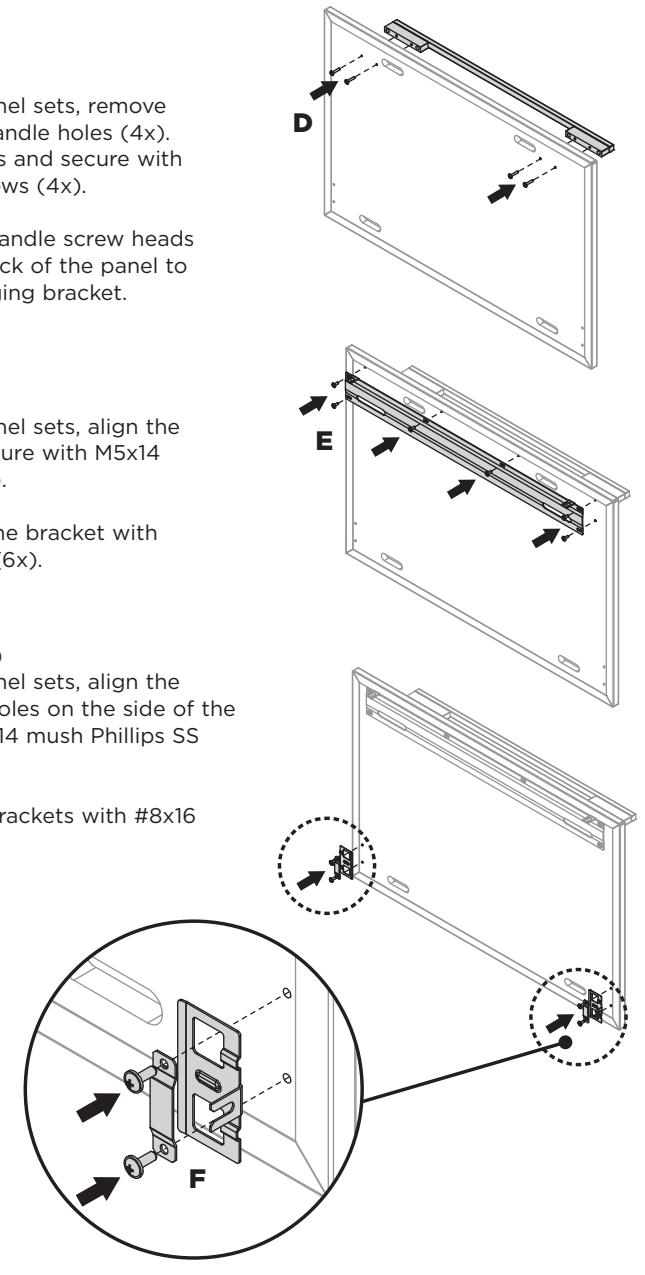
For Fisher & Paykel door panel sets, align the bracket to the holes and secure with M5x14 mush Phillips SS screws (6x).

For custom panels, secure the bracket with #8x16 mush washer screws (6x).

#### 6 Side brackets and straps (F)

For Fisher & Paykel door panel sets, align the brackets and straps to the holes on the side of the panel and secure with M5 x 14 mush Phillips SS screws (2x).

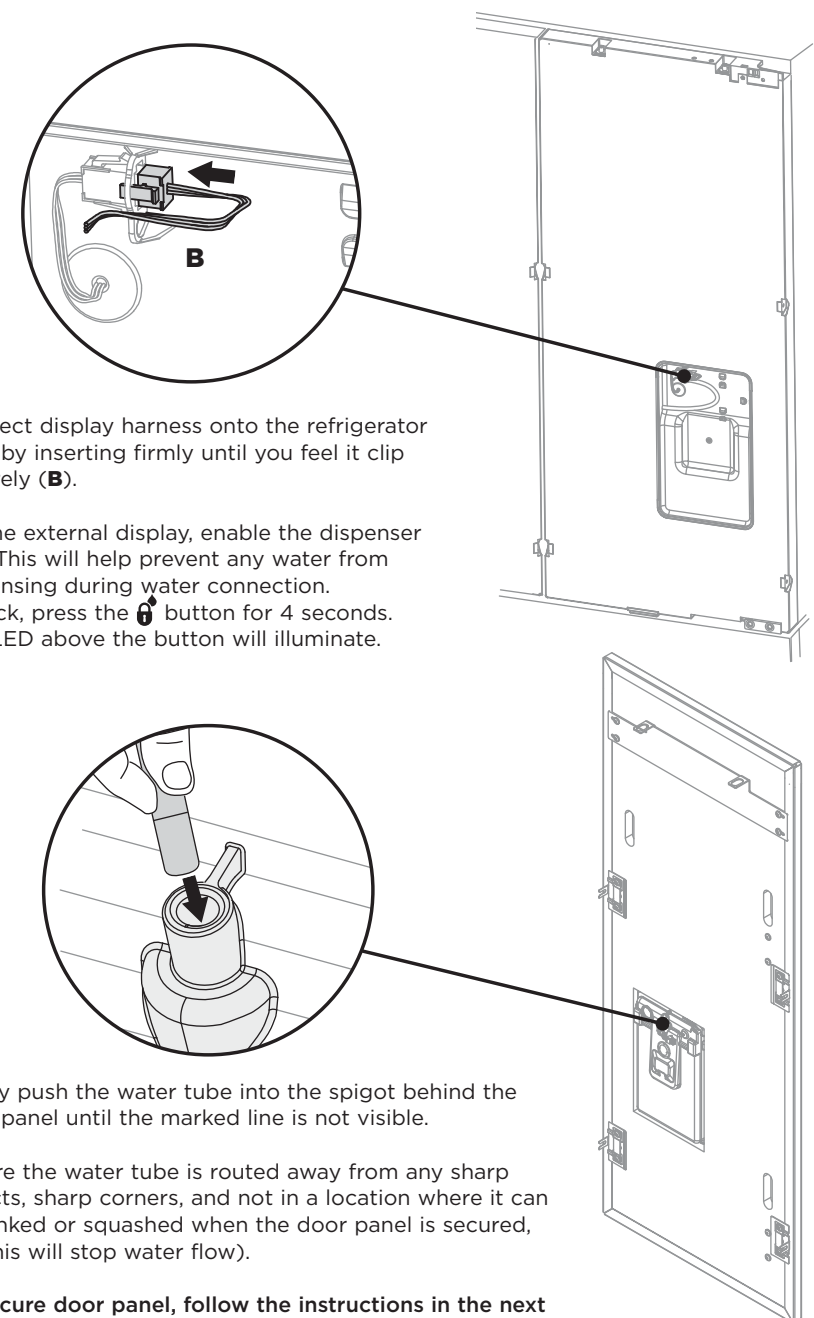
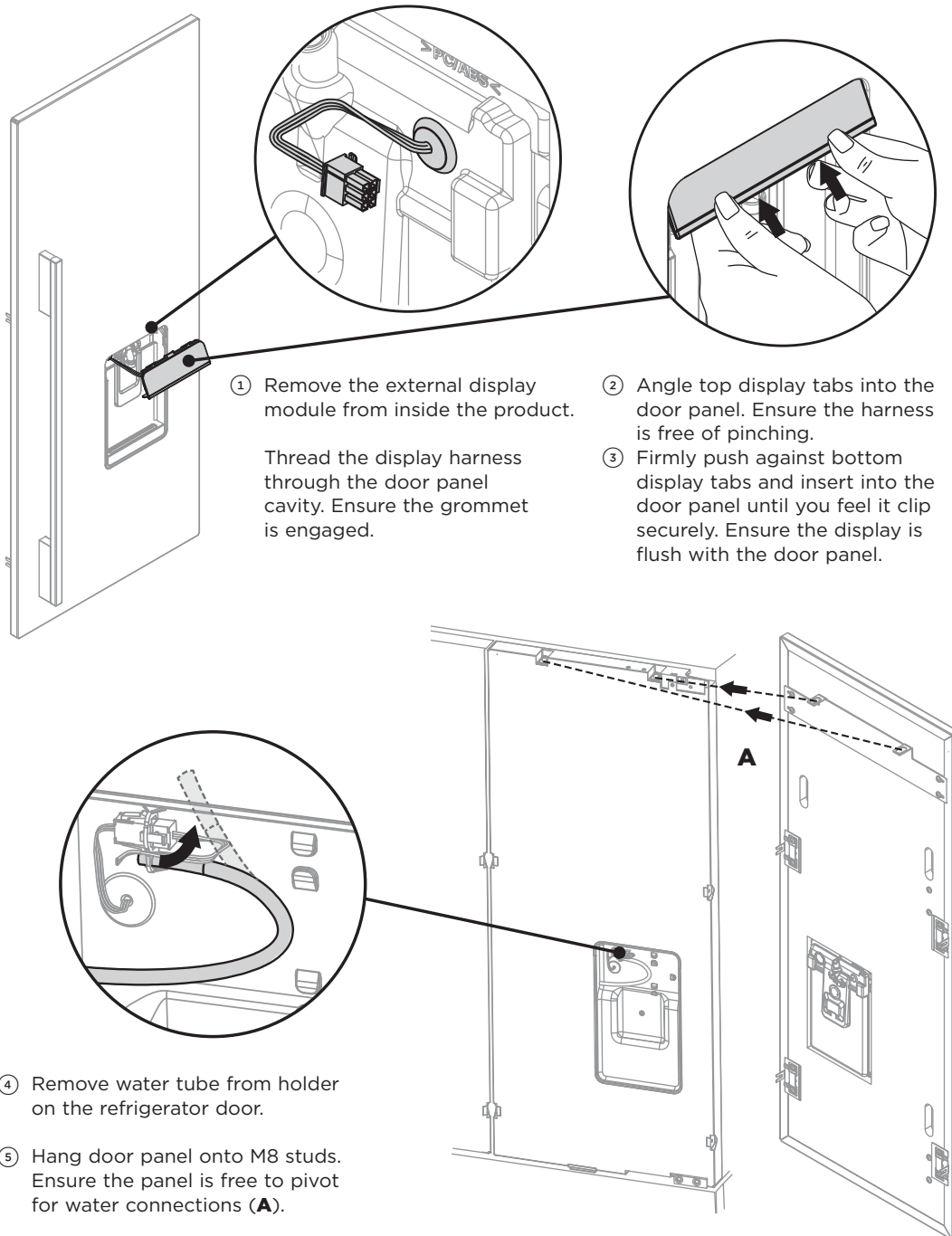
For custom panels, secure brackets with #8x16 mush washer screws (2x).





## 18 HANG ICE & WATER DOOR PANEL

For Fisher & Paykel Stainless steel door panels only.



To secure door panel, follow the instructions in the next section: 'Hang non-Water dispensing door panels'.

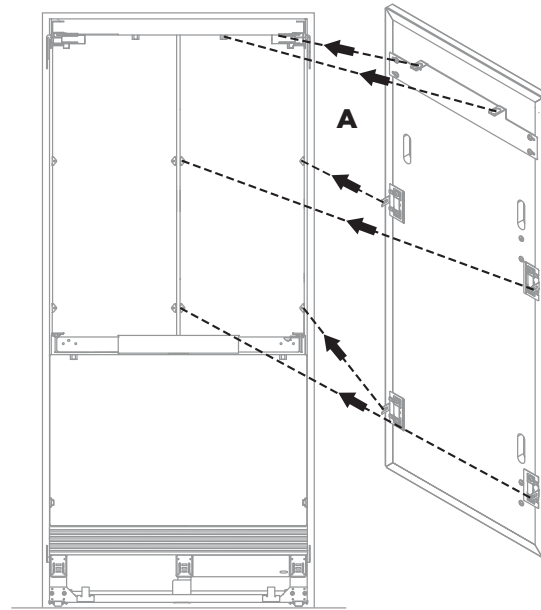
## 19 HANG NON-WATER DISPENSING DOOR PANELS

For Fisher & Paykel Stainless steel door panels only.

### IMPORTANT!

Remove protective film from white product doors before hanging door panels.

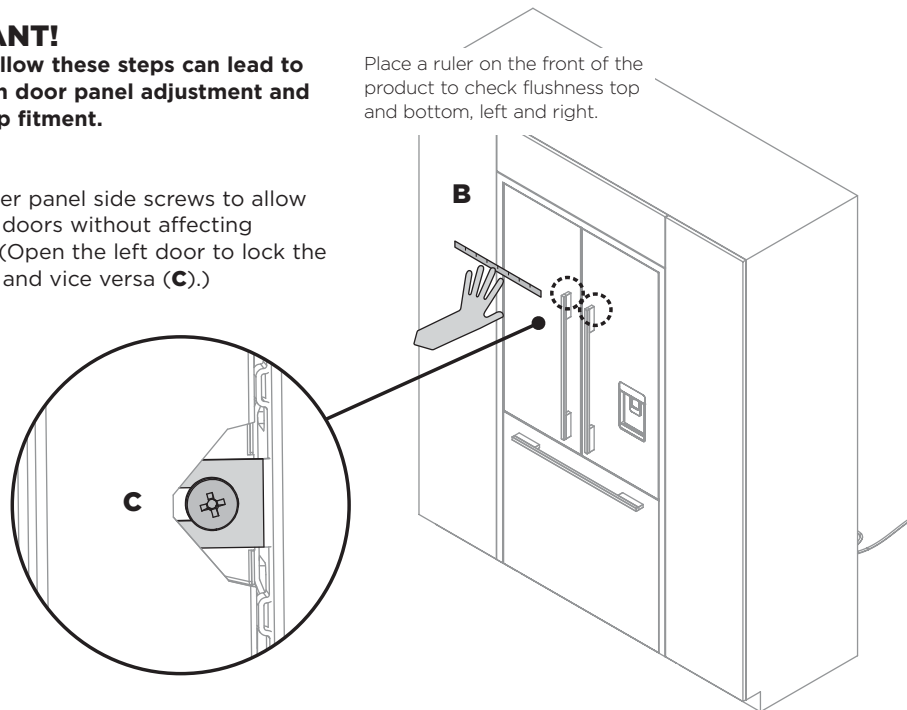
- ① Hang all door panels onto M8 studs and align the side bracket forks onto the refrigerator door (A).
  - Ensure the forks are positioned around the body of the side screws (M5x10 pan head Phillips screw).
- ② Push the product until the door panels are flush.
  - Depending on your installation design this will be flush with your adjacent cabinetry or your framework.
- ③ Place a ruler on the front of the product to check flushness top and bottom, left and right (B).
- ④ Ensure the gap between the top of the door panel and the top cabinetry is no greater than 1/4" (7mm).
  - To reduce this gap, raise the product by turning all four adjustment nuts the same number of turns.



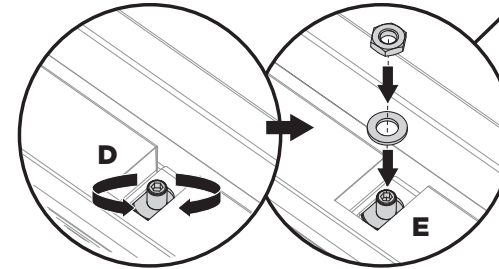
### IMPORTANT!

Failure to follow these steps can lead to difficulties in door panel adjustment and cosmetic cap fitment.

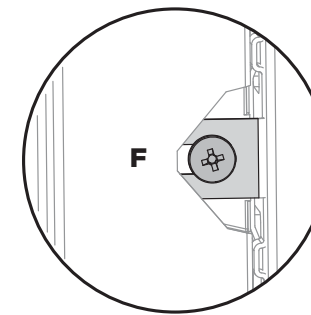
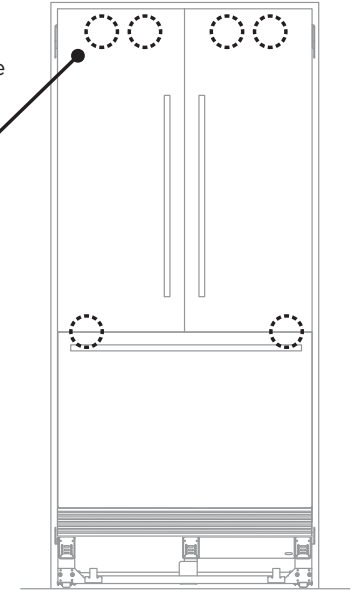
- ⑤ Lock top inner panel side screws to allow opening the doors without affecting adjustment. (Open the left door to lock the right screws and vice versa (C).)



- ⑥ All door panels have full axis adjustment to ensure they are flush with adjacent walls. To adjust the height of each panel, turn the stud clockwise to raise or counter-clockwise to lower the door panel (D).



- ⑦ Once satisfied with the alignment, secure M8 studs with M8 washer and M8 nut (E). The top of the stud must remain below the top face of the door panel.

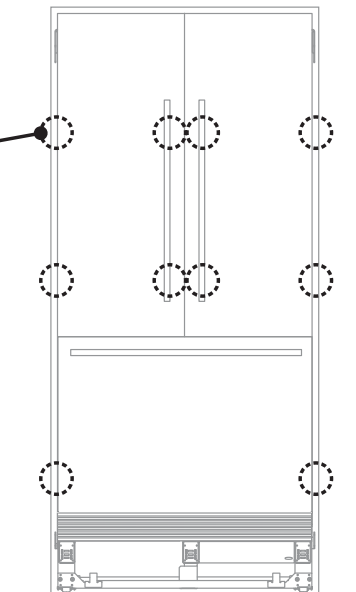


- ⑧ Secure side bracket forks by tightening side screws (F).

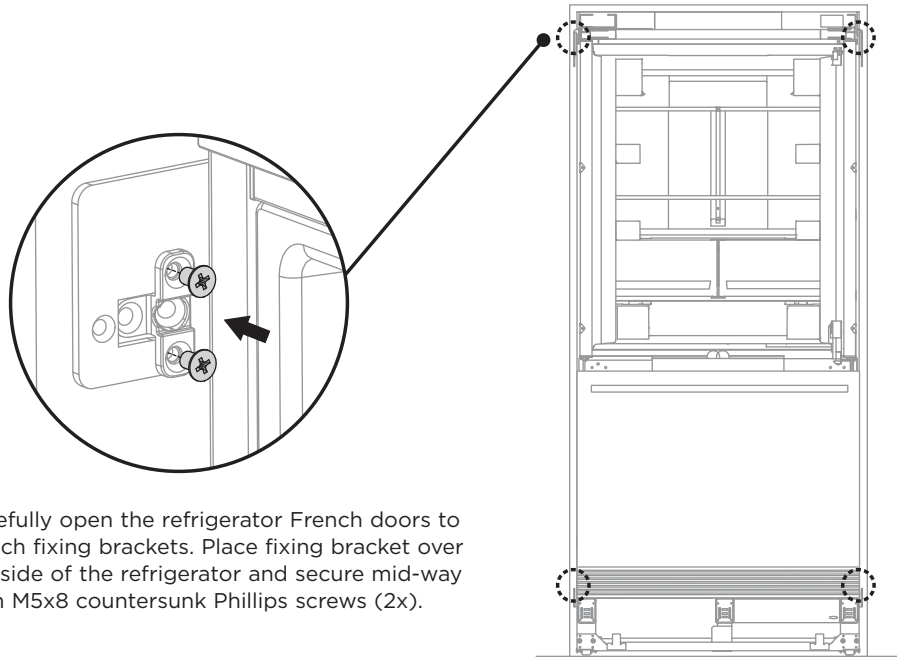
Repeat this process for all door panels.

Note:

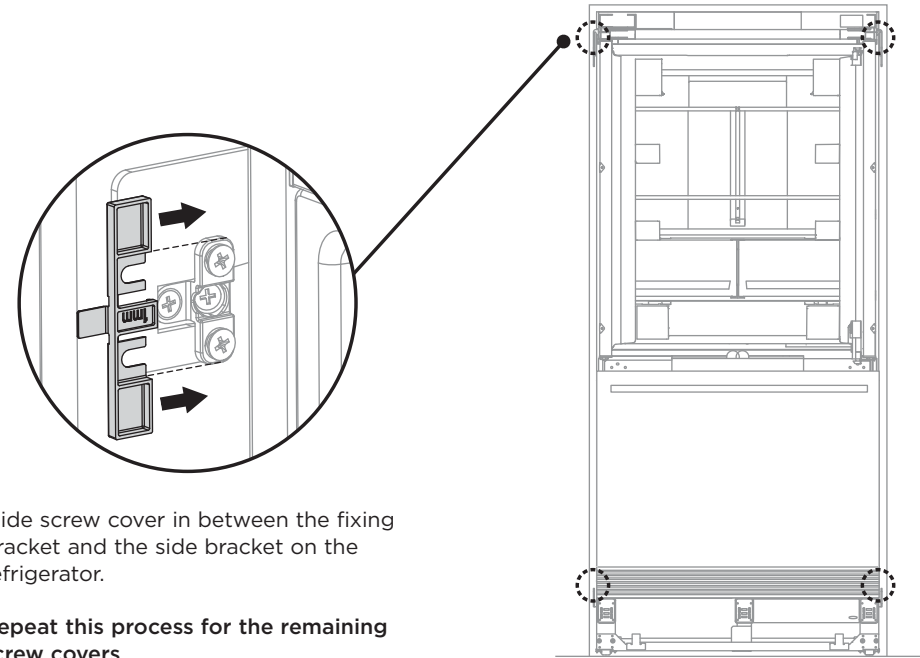
- For depth adjustment loosen side screws (4x), adjust panels and then retighten once satisfied.
- Further adjustment of door panels can be achieved by removing door panels then loosening the fixing screws for the hanging bracket and moving the bracket sideways to suit.



## 20 ATTACH FIXING BRACKETS

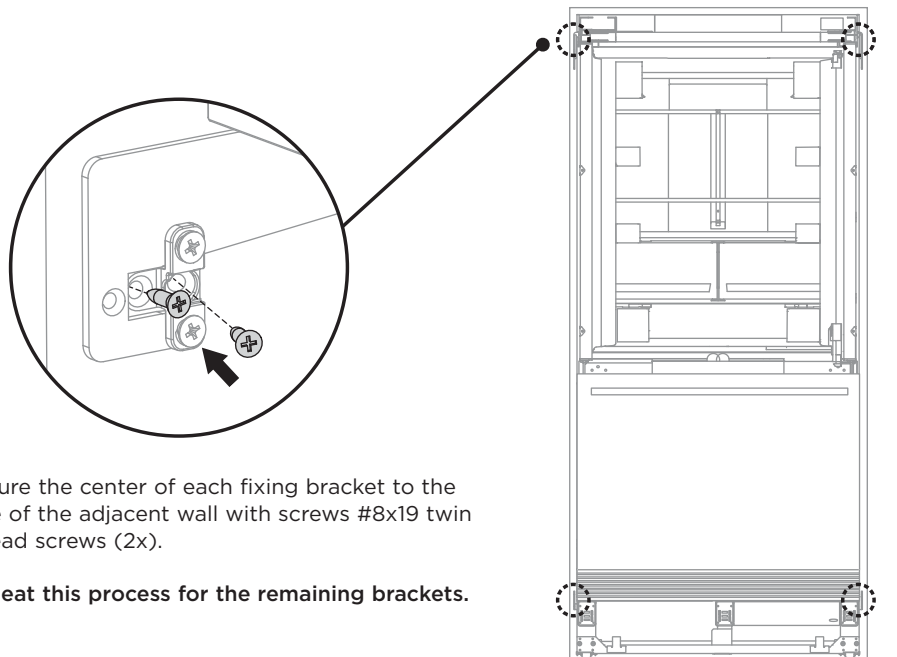


- ① Carefully open the refrigerator French doors to attach fixing brackets. Place fixing bracket over the side of the refrigerator and secure mid-way with M5x8 countersunk Phillips screws (2x).



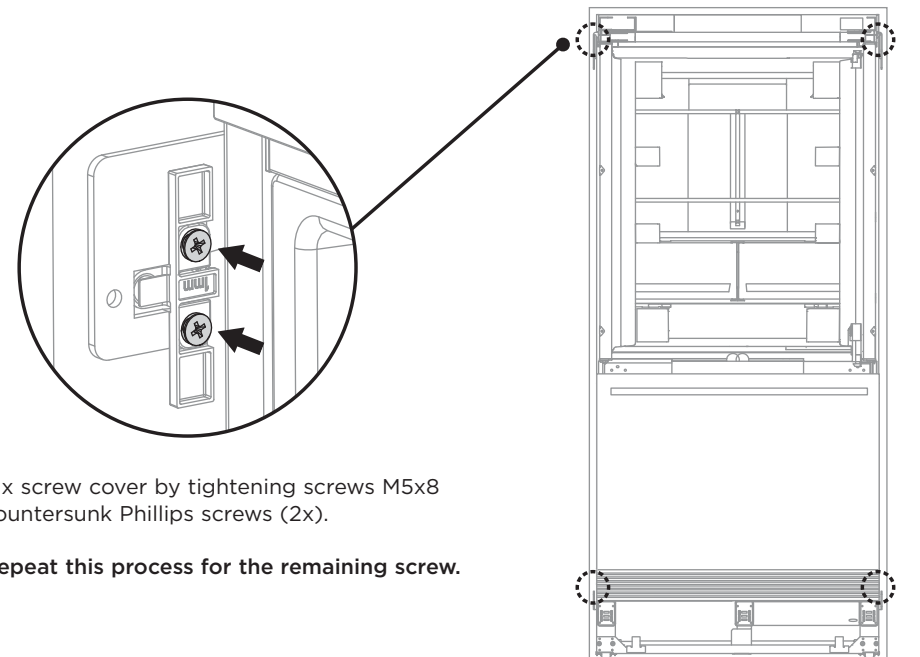
- ③ Slide screw cover in between the fixing bracket and the side bracket on the refrigerator.

Repeat this process for the remaining screw covers.



- ② Secure the center of each fixing bracket to the side of the adjacent wall with screws #8x19 twin thread screws (2x).

Repeat this process for the remaining brackets.



- ④ Fix screw cover by tightening screws M5x8 countersunk Phillips screws (2x).

Repeat this process for the remaining screw.

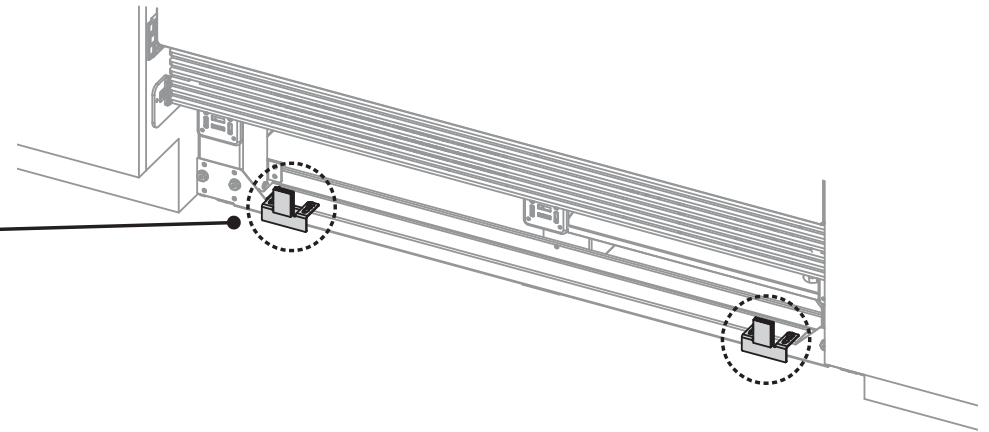
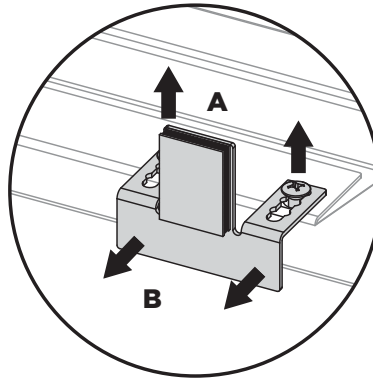
## 21 ATTACH TOE KICK

The standard refrigerator includes a stainless steel toe kick 4" (102mm) and the hardware required to mount the toe kick 4" (102mm). Alternatively the customer can supply their own custom toe kick 4-6" (102-152mm) for complete integration of the refrigerator.

### 1 Installing toe kick

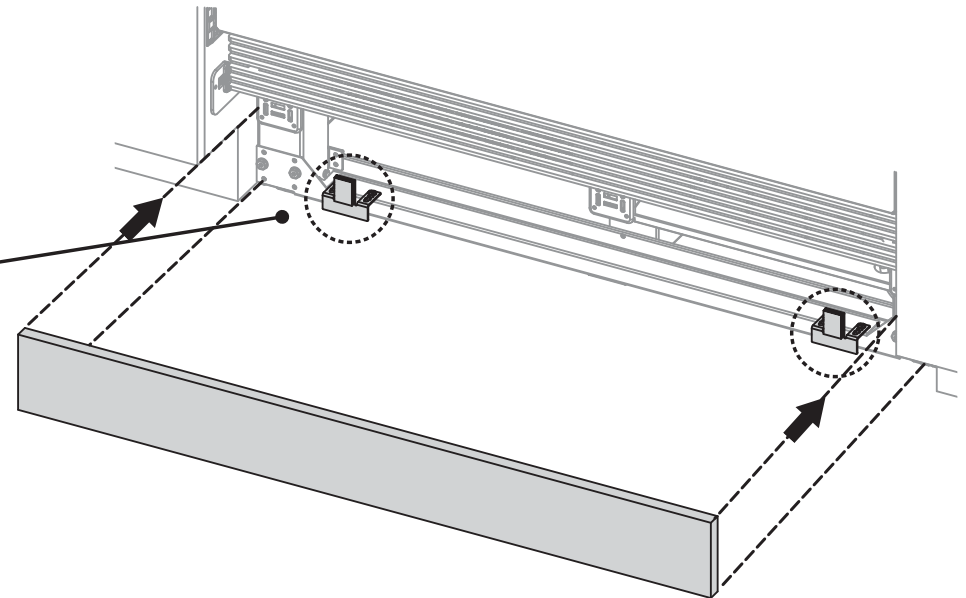
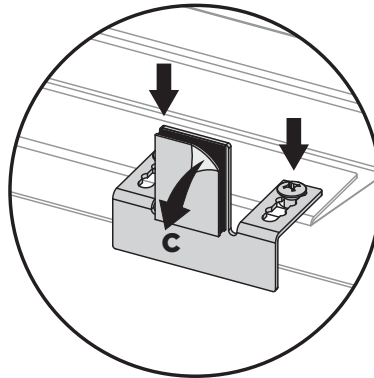
Unscrew the toe kick bracket screws mid-way, and bring forward (**A** and **B**).

Repeat this process on the opposite side.



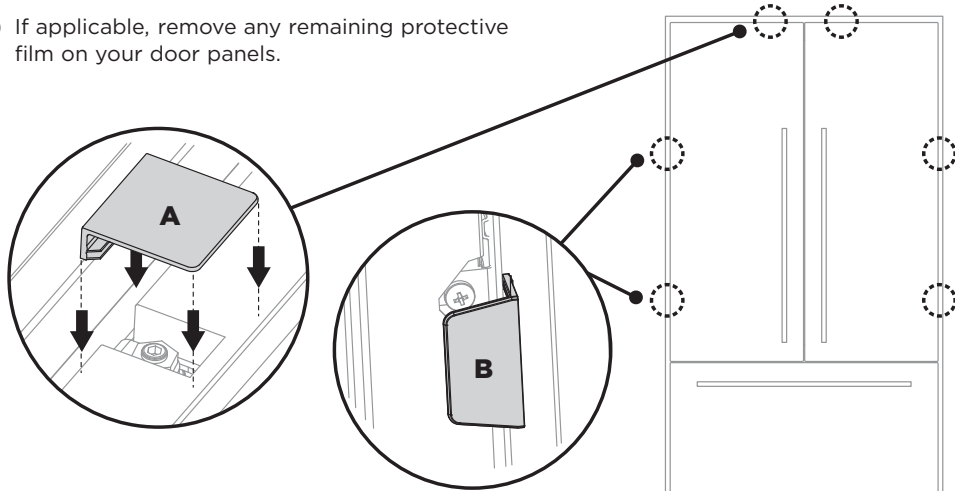
2 Place toe kick in front of the brackets and gently push towards the refrigerator until flush with surrounding cabinetry. Once satisfied, remove the toe kick.

3 Tighten the toe kick bracket screws to lock brackets into position and remove the backing from the Velcro strip (**C**). Attach toe kick to the adhesive surface.



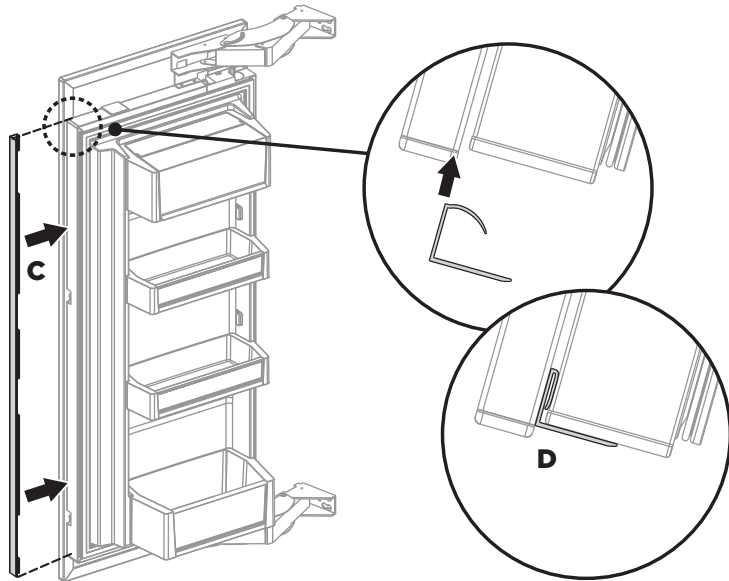
## 22 ATTACH COVERS AND DOOR/DRAWER TRIMS

- ① If applicable, remove any remaining protective film on your door panels.



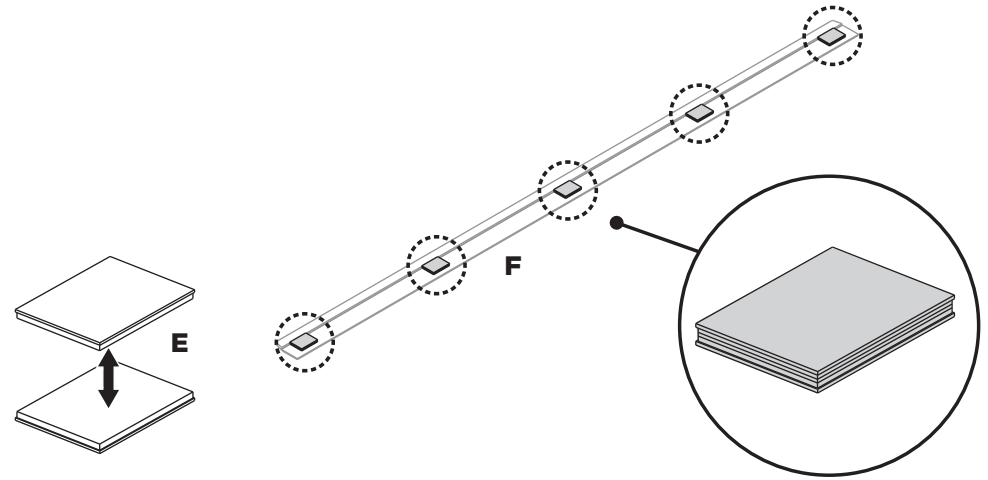
- ② Open the refrigerator French doors, firmly push top cover (A) over the top studs.

Open the refrigerator French doors, firmly push side cover (B) over the side studs.



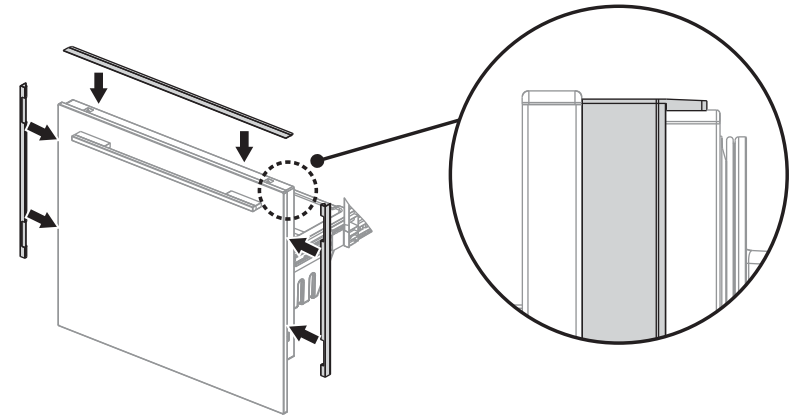
### ③ Door side trims

Install the side trims by inserting into the panel gaps on each side of the door(s) (C). Align the trim to the top of the door and press evenly into the panel gap until fully seated (D).



- ④ Press the dual adhesive tabs together to form pairs (E) and remove the adhesive backing on one side only.

Press firmly to install on the underside of the drawer top trim in the indicated locations (F).



### ⑤ Drawer side trims

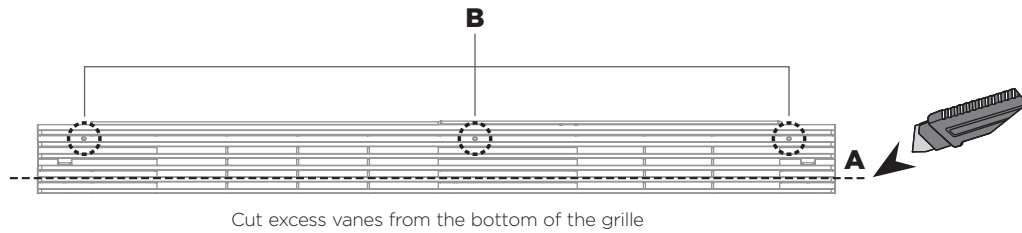
Install the side trims in the same manner (refer to step ③).

### ⑥ Drawer top trim

Remove the remaining adhesive backing from the dual adhesive tabs. Locate the trim against the back surface of the panel and press down firmly. Ensure the trim is fully seated against the drawer surface.

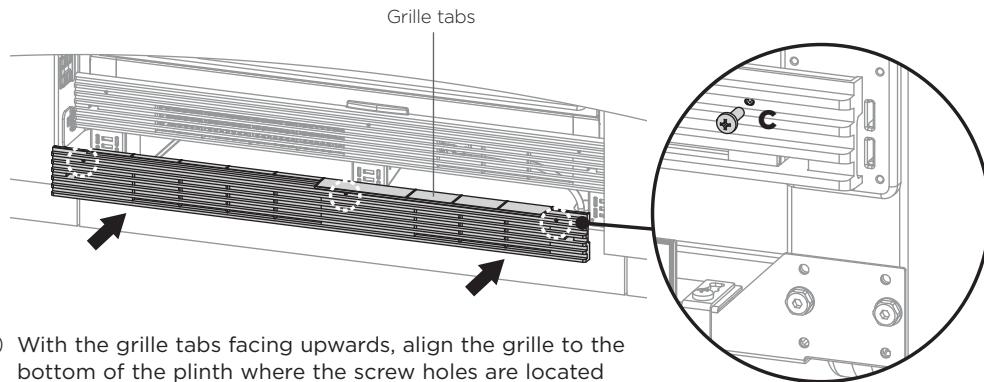
23 ATTACH BOTTOM TOE KICK

For custom toe kick greater than 4" (102mm)

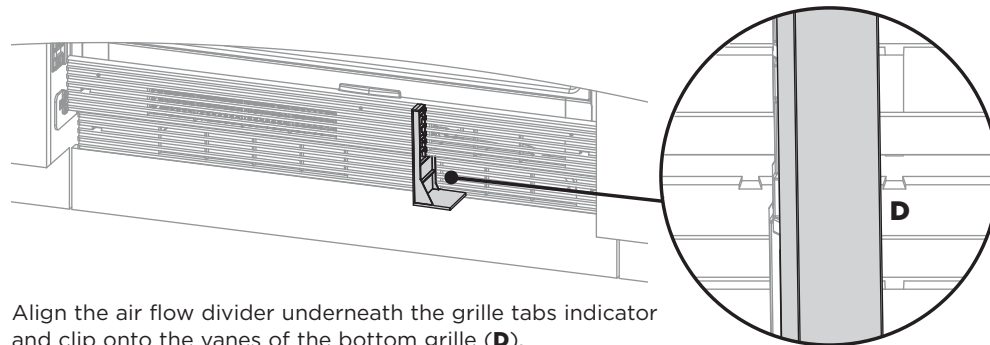


- ① Measure the required height for the bottom grille. On a board, carefully score/cut the excess vanes from the bottom of the toe kick grille and discard (A).
- ② Drill  $\varnothing 5/32"$  (4mm) holes into the dimples of the grille (B).

Repeat this process for all dimples.

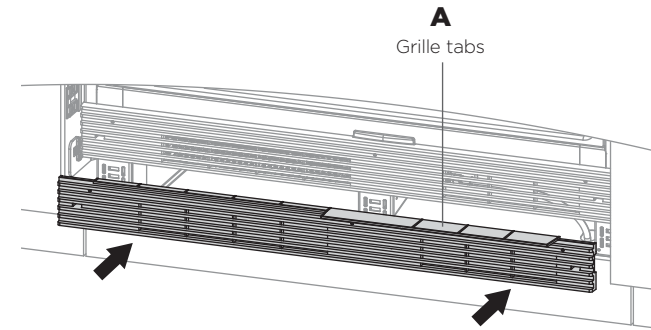


- ③ With the grille tabs facing upwards, align the grille to the bottom of the plinth where the screw holes are located and secure with #8x5/8" pan head screws (3x) (C).

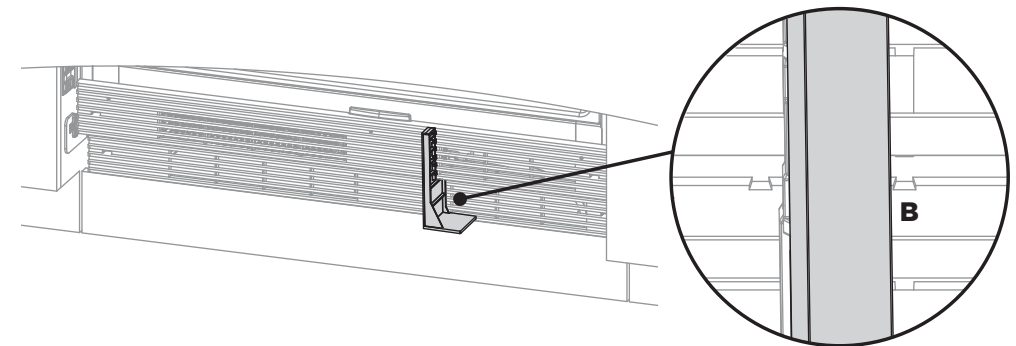


- ④ Align the air flow divider underneath the grille tabs indicator and clip onto the vanes of the bottom grille (D).

For toe kick installation at 4" (102mm)



- ① With the grille tabs facing upwards, align the grille clips to the bottom of the plinth's slots, then firmly push grille onto the plinth (A).



- ② Align the air flow divider underneath the grille tabs indicator and clip onto the vanes of the bottom grille (B).

## TWO METHODS ARE AVAILABLE FOR ATTACHING CABINET SIDE TRIMS:

- [A] FLEXIBLE SPRING CLIP METHOD - RECOMMENDED METHOD
- [B] FIXED SCREW METHOD - METHOD TO USE IF CABINET IS NOT TO SPECIFICATION

(Attempt method [A]. If method [A] results in poor fitment of side trims due to cabinetry that is uneven or out of specification, use method [B]).

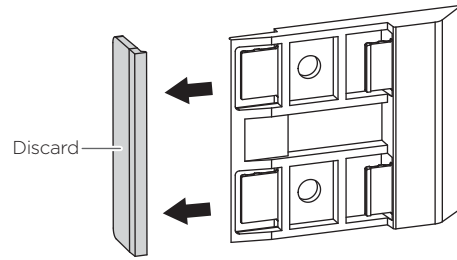
### 24 ATTACH CABINET SIDE TRIMS - [A] FLEXIBLE SPRING CLIP METHOD

#### IMPORTANT!

Before installing your refrigerator, ensure the dimensions of the finished enclosure are correct for your refrigerator following the 'Product and cavity dimensions' sections.

- 1 Break off the datum lip to each side trim bracket and discard.

Repeat for all side trim brackets.

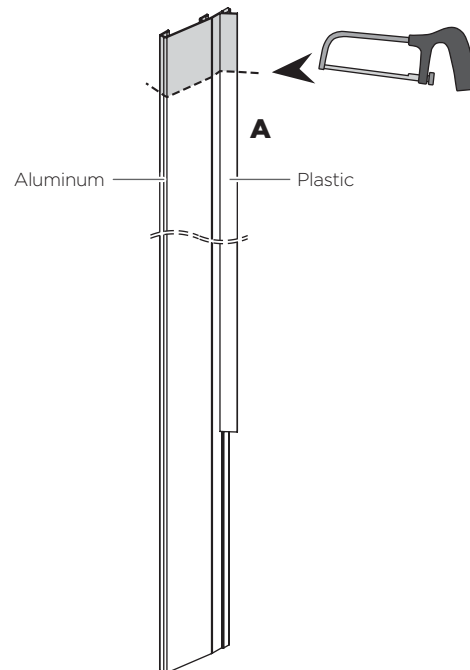


#### For 80" (2032mm) cavity installation only

- 2 Measure 4" (102mm) from the top, shorter side trim and carefully cut using a fine tooth hacksaw to a length of 76" (1930mm). Refer to (A) for orientation of side trim.

Note: Ensure cut is straight and square as this is an exposed surface. Also ensure the plastic part does not bend as this can cause visual stress marks.

Repeat this process for the remaining side trim.



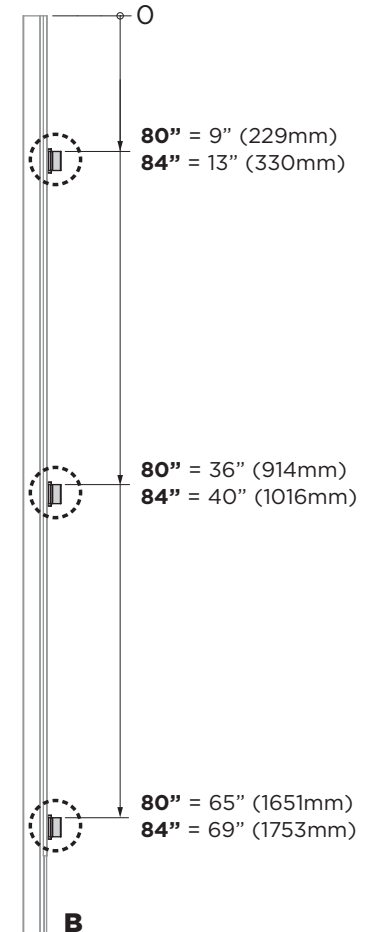
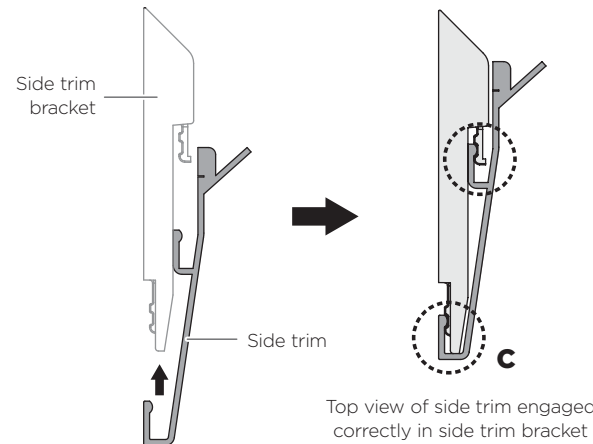
- 3 Position 3 side trim brackets onto each side trim.

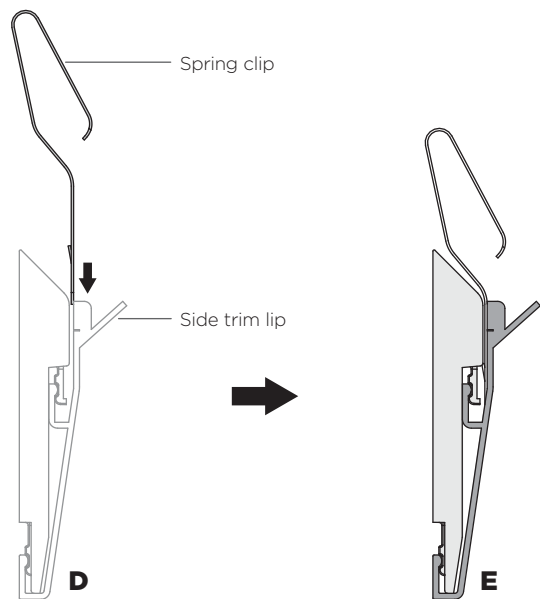
Note: Measure from the top of the trim, with the shorter lip at the bottom. (Refer to (B) for 80" and 84" bracket locations and trim orientation.)

#### IMPORTANT!

Each bracket has two engagement points for the side trim to locate. Ensure the trim is engaged in both points (C).

Repeat this process for the remaining side trim.





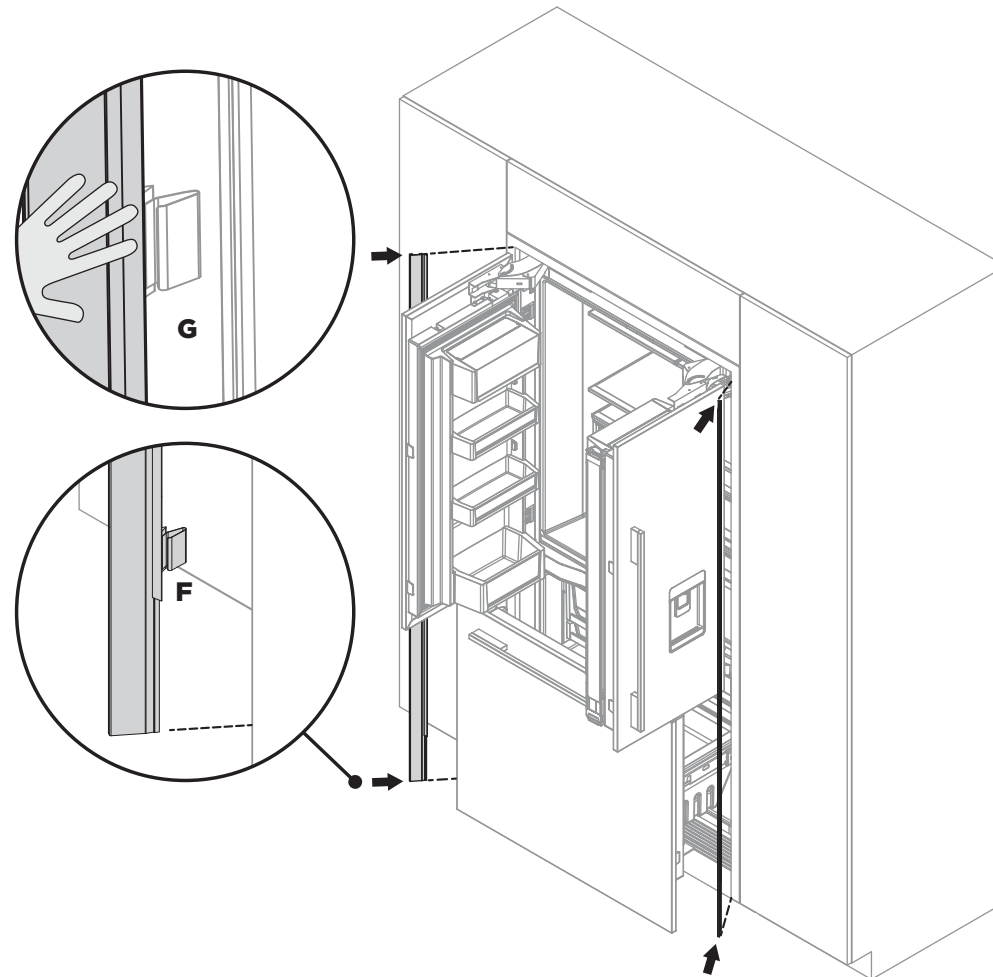
Top view of spring clip correctly inserted between side trim and side trim bracket

- ④ Insert the spring clip into the gap between the side trim and side trim bracket, orientation as shown in figures (**D**) and (**E**).

**IMPORTANT!**

Ensure spring clip is correctly oriented with the open loop facing the side trim lip.

Repeat this process for the remaining side trim.



- ⑤ Open refrigerator doors. Place the assembled side trim with brackets and spring clips against the alcove side wall with the shorter lip facing the bottom (**F**).

**IMPORTANT!**

Ensure the side trim is positioned as high as it will go.

Push the side trim at each bracket location until there are no visible gaps between the trim and cabinetry (**G**).

Repeat this process for the remaining side trim.



25 ATTACH CABINET SIDE TRIMS - [B] FIXED SCREW METHOD

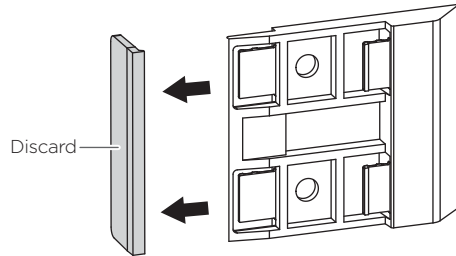
If method [A] has resulted in poor fitment of side trims due to cabinet being out of spec, use method [B].

**IMPORTANT!**

Before installing your refrigerator, ensure the dimensions of the finished enclosure are correct for your refrigerator following the 'Product and cavity dimensions' sections.

- 1 Break off the datum lip to each side trim bracket and discard.

Repeat for all side trim brackets.

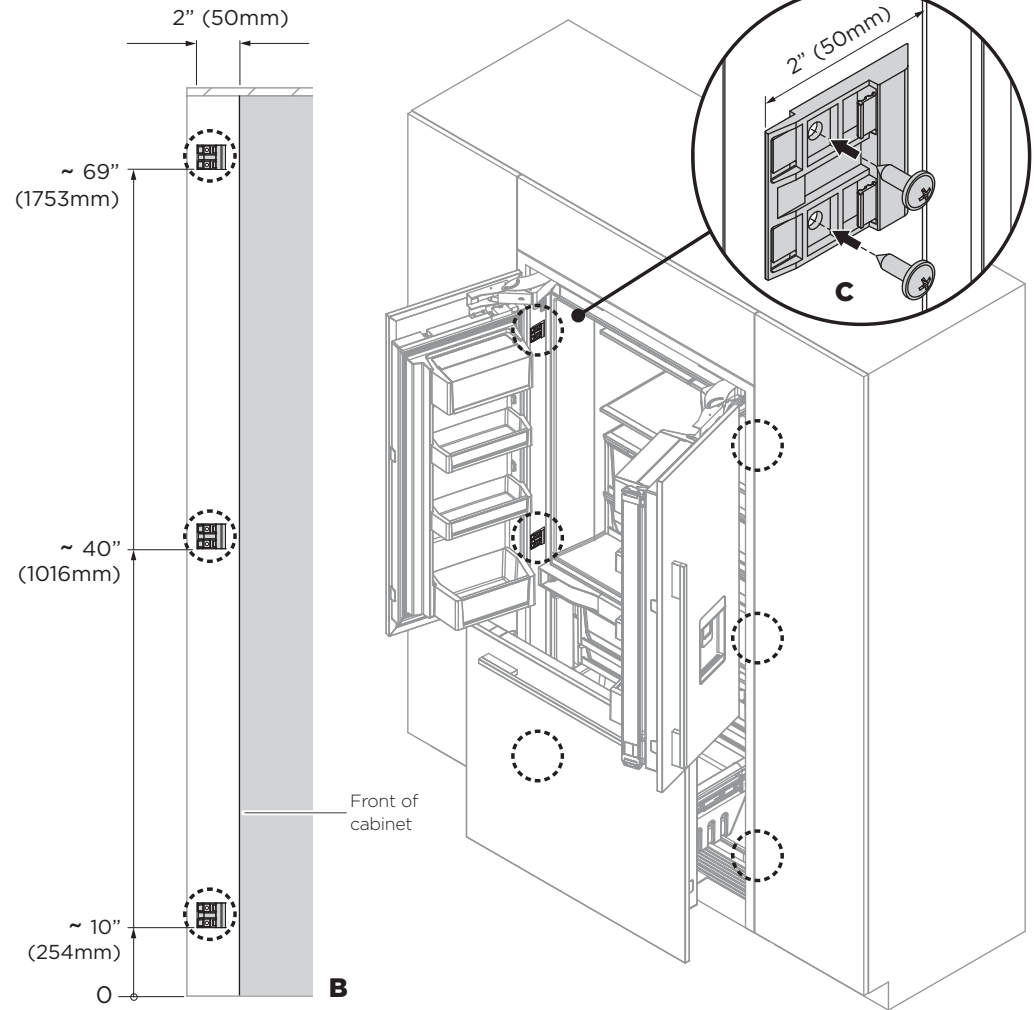
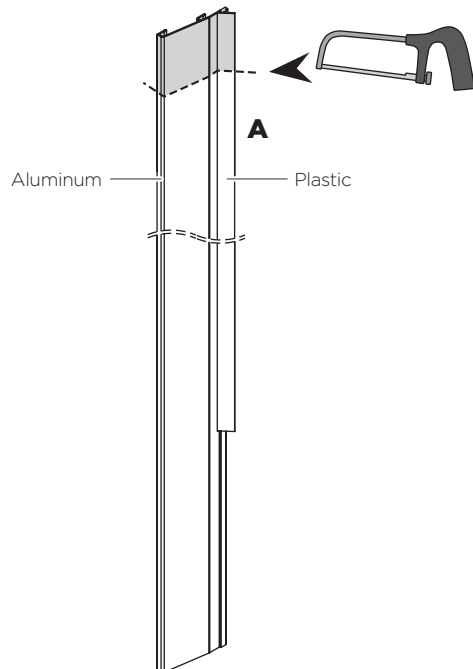


**For 80" (2032mm) cavity installation only**

- 2 Measure 4" (102mm) from the top, shorter side trim and carefully cut using a fine tooth hacksaw to a length of 76" (1930mm). Refer to (A) for orientation of side trim.

Note: ensure cut is straight and square as this is an exposed surface. Also ensure the plastic part does not bend as this can cause visual stress marks.

Repeat this process for the remaining side trim.



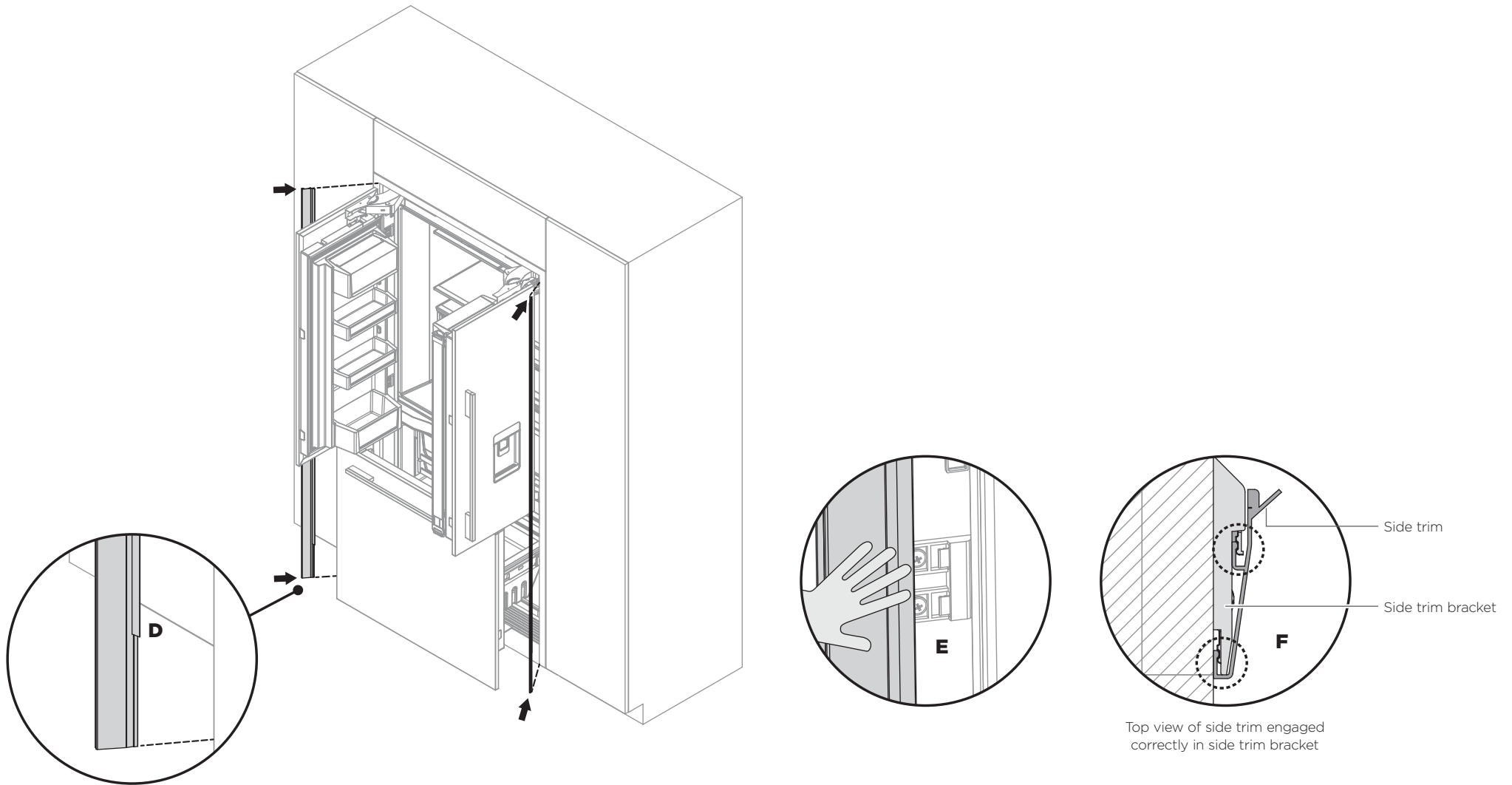
- 3 Position three side trim brackets on each side (refer to (B) for bracket locations). Open the refrigerator doors. Measure 2" (50mm) from the front of cabinet (from behind the doors), to the front of the alcove and accurately mark a vertical line (C).

Align the bracket edge with the marked line and using #8x16 mush washer screws (2x) to fix the bracket to the cabinetry (3x).

Repeat on the opposite side.

**IMPORTANT!**

Inaccurate positioning of bracket can result in inability to fit side trim or gaps between side trim and refrigerator.



④ Place the side trim against the alcove side wall with the shorter lip facing the bottom (D). Ensure the side trim is positioned as high as it will go.

⑤ Engage the side trim with the brackets by pushing the trim inwards at the locations of the top and middle side trim brackets. Once the trim has engaged with top and middle brackets, then push and engage the side trim at the location of the bottom bracket (E).

Top view of side trim engaged correctly in side trim bracket

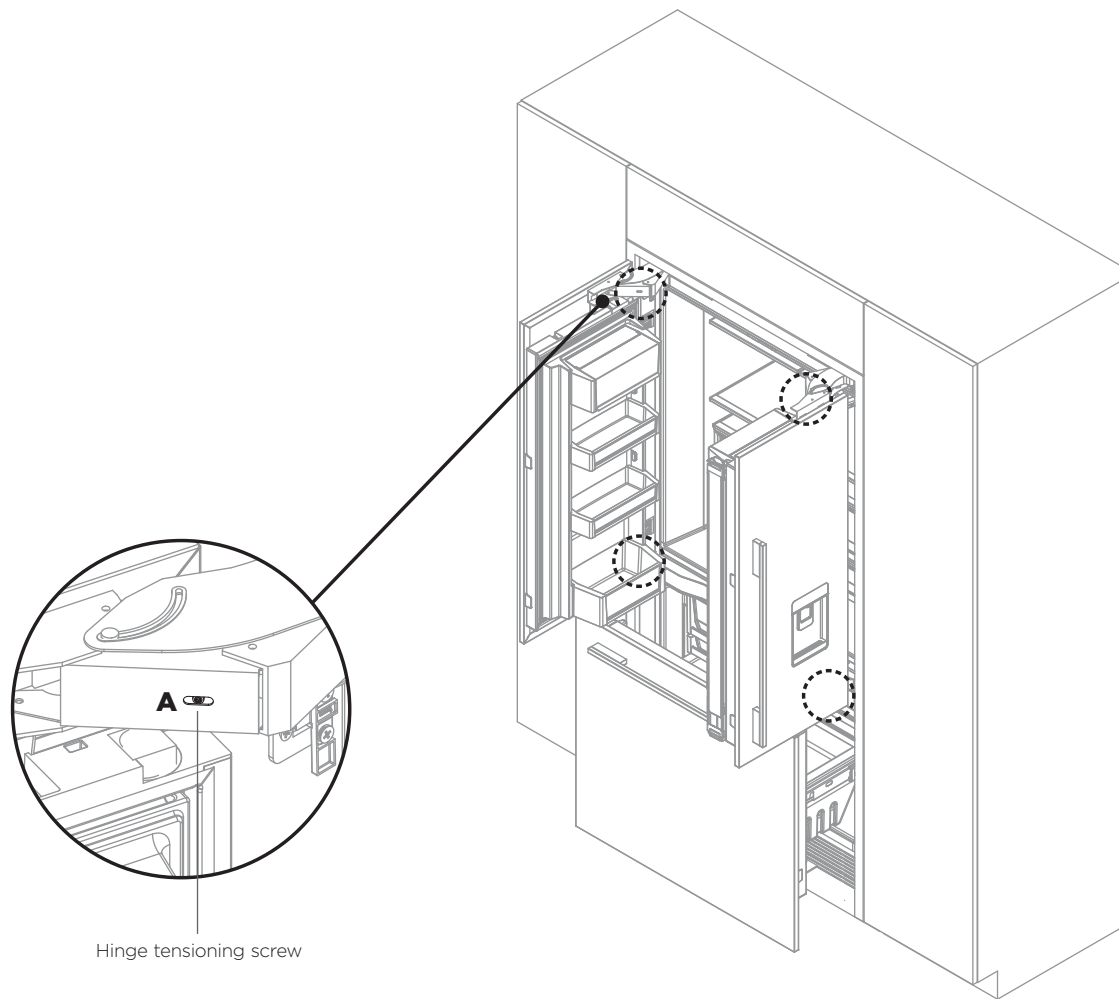
**IMPORTANT!**

- Ensure there are no visual gaps between the product and side trims.
- Each bracket has two engagement points for the trim to locate. Ensure the trim is engaged at both points (F).

Repeat this process for the remaining side trim.

Correct visual gaps by loosening side trim screws and moving trim within clearance. If further adjustment is required, relocate brackets to desired position.

## 26 ADJUST HINGE TENSIONING SCREWS



Hinge tensioning screw

Hinge tensioning screws can be tightened if increased door closing force is required.

- ① To tighten the top hinge tensioning screw for each door, hold the door open at 90 degrees, and rotate the screw clockwise until it has moved sideways from position 0 to position 1, and then continue tightening until the screw has fully bottomed out (**A**).

Repeat this process to the bottom hinge tensioning screws.

**TO BE COMPLETED BY THE INSTALLER****All models**

- Check all parts are installed.
- Ensure the refrigerator is level.
- Ensure the refrigerator is securely fastened to the cabinetry with the supplied anti-tip bracket and fittings.
- Ensure the doors/drawer can open and close freely with no resistance from surrounding cabinetry.
- Ensure hinge limiting pin is fitted for 90° door swing.
- Ensure all internal and external packaging is removed from the refrigerator before use.
- Ensure a manual ice maker cycle has been forced.

**Ice & Water models only**

- Ensure the water filtration system has been flushed.

Complete and keep for safe reference:

Model \_\_\_\_\_

Serial No. \_\_\_\_\_

Purchase Date \_\_\_\_\_

Purchaser \_\_\_\_\_

Dealer Address \_\_\_\_\_

Installer's Name \_\_\_\_\_

Installer's Signature \_\_\_\_\_

Installation Company \_\_\_\_\_

Installation Date \_\_\_\_\_

**FISHERPAYKEL.COM**

© Fisher & Paykel Appliances 2018. All rights reserved.  
The product specifications in this booklet apply to the specific products and models described at the date of issue. Under our policy of continuous product improvement, these specifications may change at any time. You should therefore check with your Dealer to ensure this booklet correctly describes the product currently available.