

**INSTALLATION INSTRUCTIONS  
USER GUIDE**

**INSTRUCTIONS D'INSTALLATION  
GUIDE D'UTILISATION**

**Chimney Box Ventilation Hood  
Hotte de Ventilation Murale Décorative**

HC24DTXB2, HC30DTXB2, and HC36DTXB2 models  
Modèles HC24DTXB2, HC30DTXB2 et HC36DTXB2

US CA

**FISHER & PAYKEL**

---

**English**

---

**Page 1 - 24**

---

**Français**

---

**Page 27 - 50**

---

---

Introduction	3
Safety and warnings	4
Installation instructions	6
Operating instructions	18
Cleaning and maintenance	19
Parts and accessories	21
Limited Warranty	22

---

## **IMPORTANT!**

### **SAVE THESE INSTRUCTIONS**

The models shown in this user guide may not be available in all markets and are subject to change at any time. For current details about model and specification availability in your country, please go to our website [www.fisherpaykel.com](http://www.fisherpaykel.com) or contact your local Fisher & Paykel dealer.

### **Registration**

Register your product with us so we can provide you with the best service possible.

To register your product visit our website: [www.fisherpaykel.com](http://www.fisherpaykel.com)

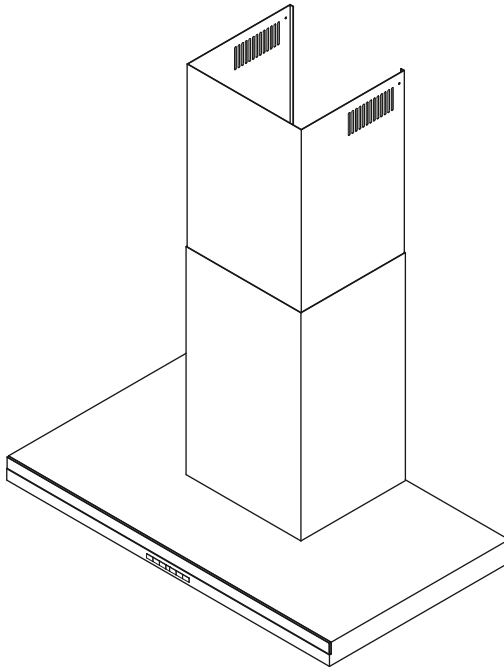


Thank you for purchasing a Fisher & Paykel product.

Thousands of hours go into the design, engineering, testing and perfecting of each Fisher & Paykel appliance. The care and attention given to creating these beautiful products doesn't stop once it has found its home with you.

This use and care manual will answer most of your questions about the set-up, use and on-going maintenance of your Fisher & Paykel product; however if you require further information about your product and its use please consult our website for solutions and further contact information to discuss with a service representative.

To ensure you receive all relevant product updates and the best service possible, please register your Fisher & Paykel products through our website.



## SAFETY AND WARNINGS

### **WARNING!**



**33 lb (15 kg)**  
(HC24)

**35 lb (16 kg)**  
(HC30)

**37 lb (17 kg)**  
(HC36)

#### Weight Hazard

The ventilation hood is heavy. Please ensure adequate care is taken when installing the ventilation hood to prevent personal injury.

The ventilation hood must be installed onto a solid wall, stud, beam or truss.

Weight of the products are 33 lb (15 kg) HC24 / 35 lb (16 kg) HC30 / 37 lb (17 kg) HC36.

### **WARNING!**



#### Electric Shock Hazard

Always disconnect the appliance from the mains power supply before carrying out any maintenance or repairs.

Installation work and electrical wiring must be done by qualified person(s) in accordance with all applicable codes and standards, including fire-rated construction.

Failure to do so can result in death, electric shock, fire or injury to persons.

## IMPORTANT SAFETY INSTRUCTIONS

READ THE ENTIRE SET OF INSTRUCTIONS BEFORE INSTALLING OR USING THIS APPLIANCE. Manuals can also be found on our website [www.fisherpaykel.com](http://www.fisherpaykel.com).

- **CAUTION:** For general ventilating use only. Do not use to exhaust hazardous or explosive materials and vapors.
- **WARNING!** To reduce the risk of fire, electric shock, or injury to persons, observe the following:
  - Use this unit only in the manner intended by the manufacturer. If you have questions, contact the manufacturer. For residential use only.
  - Before servicing or cleaning unit, switch power off at service panel and lock the service disconnecting means to prevent power from being switched on accidentally. When the service disconnecting means cannot be locked, securely fasten a prominent warning device, such as a tag, to the service panel.
  - Installation work and electrical wiring must be done by qualified person(s) in accordance with all applicable codes and standards, including fire-rated construction.
  - Sufficient air is needed for proper combustion and exhausting of gases through the flue (chimney) of fuel burning equipment to prevent back drafting. Follow the heating equipment manufacturer's guideline and safety standards such as those published by the National Fire Protection Association (NFPA), and the American Society for Heating, Refrigeration and Air Conditioning Engineers (ASHRAE), and the local code authorities.

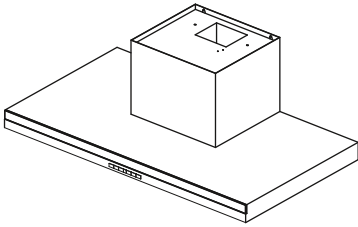
- When cutting or drilling into wall or ceiling, do not damage electrical wiring and other hidden utilities.
- Ducted fans must always be vented to the outdoors.
- This unit must be grounded.
- **CAUTION:** To reduce risk of fire and to properly exhaust air, be sure to duct air outside - Do not vent exhaust air into spaces within walls or ceilings or into attics, crawl spaces, or garages.
- **WARNING:** To reduce the risk of fire, use only metal ductwork.
- **WARNING:** To reduce the risk of fire or electric shock, do not use this fan with any solid-state speed control device.
- **WARNING:** To reduce the risk of a range top grease fire:
  - Never leave surface units unattended at high settings. Boilovers cause smoking and greasy spillovers that may ignite. Heat oils slowly on low or medium settings.
  - Always turn hood ON when cooking at high heat or when flambéing food (ie Crepes Suzette, Cherries Jubilee, Peppercorn Beef Flambé)
  - Clean ventilating fans frequently. Grease should not be allowed to accumulate on fan or filter.
  - Use proper pan size. Always use cookware appropriate for the size of the surface element.
- **WARNING:** To reduce the risk of injury to persons in the event of a range top grease fire, observe the following\*:
  - **SMOTHER FLAMES** with a close-fitting lid, cookie sheet, or metal tray, then turn off the burner. **BE CAREFUL TO PREVENT BURNS.** If the flames do not go out immediately, **EVACUATE AND CALL THE FIRE DEPARTMENT.**
  - **NEVER PICK UP A FLAMING PAN** - You may be burned.
  - **DO NOT USE WATER**, including wet dishcloths or towels - a violent steam explosion will result.
  - Use an extinguisher **ONLY** if:
    - You know you have a Class ABC extinguisher, and you already know how to operate it.
    - The fire is small and contained in the area where it started.
    - The fire department is being called.
    - You can fight the fire with your back to an exit.
- **WARNING:** Unplug or disconnect the appliance from the power supply before servicing or cleaning.

## READ AND SAVE THESE INSTRUCTIONS

\* Based on "Kitchen Firesafety Tips" published by NFPA.

# INSTALLATION INSTRUCTIONS

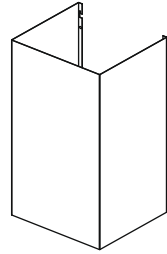
## Contents of packaging



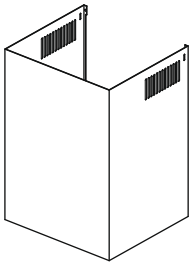
Ventilation hood  
(1)



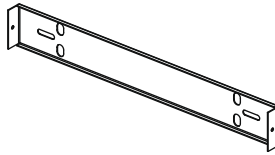
Installation instructions  
User guide manual  
(1)



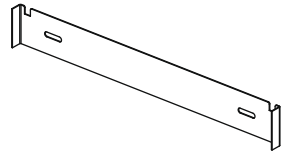
Chimney  
(1)



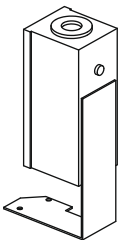
Upper chimney  
(1)



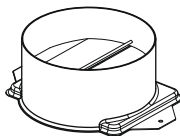
Upper chimney bracket  
(1)



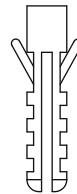
Chimney bracket  
(1)



Power connection box  
(1)



6" (152 mm) diameter  
Ducting adapter with  
back draft damper  
(1)



1 $\frac{3}{16}$ " (30 mm)  
Expansion plug  
(10)





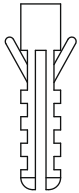
1  $\frac{3}{16}$ " (30 mm)  
Self tapping screw  
(10)



$\frac{3}{8}$ " (10 mm)  
Self tapping screw  
(4)



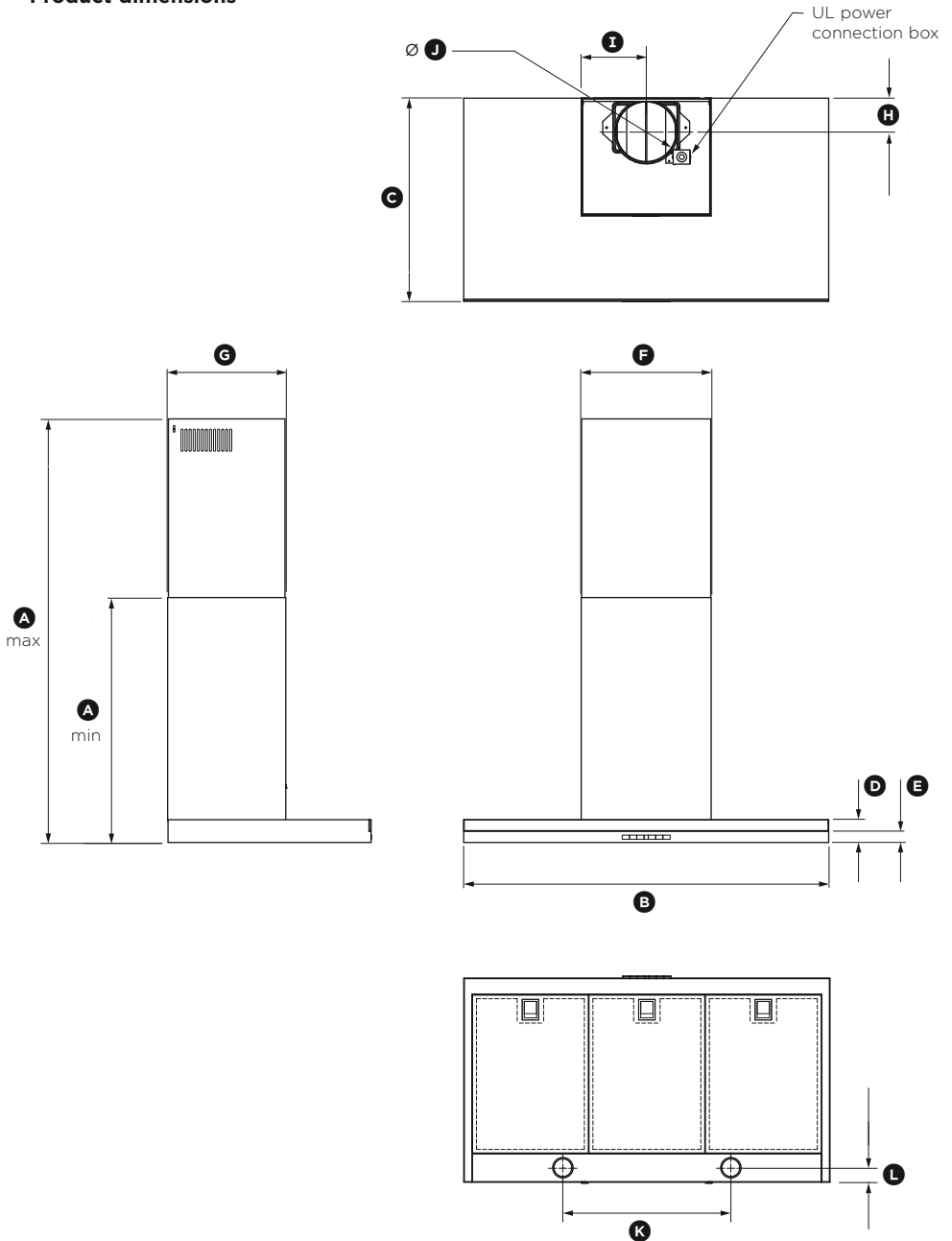
$\frac{3}{8}$ " (10 mm)  
Screw  
(2)



1  $\frac{3}{4}$ " (44 mm)  
Drywall expansion plug  
(8)

# INSTALLATION INSTRUCTIONS

## Product dimensions



Please read the entire instructions before installing the ventilation hood.

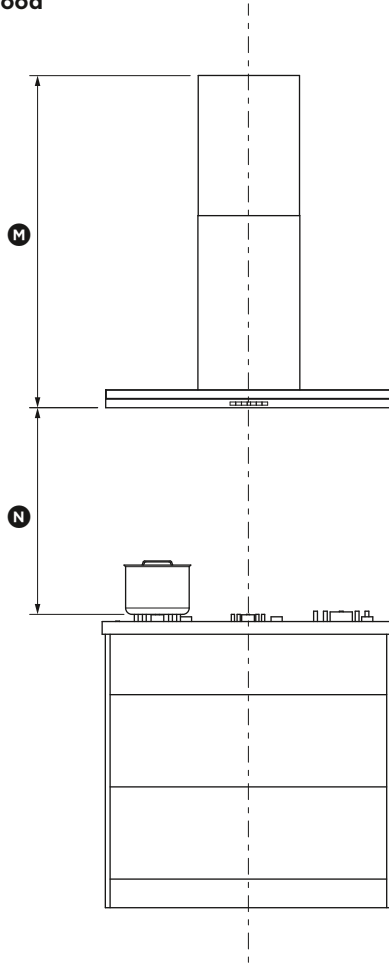
	HC24DTXB2	HC30DTXB2	HC36DTXB2
<b>PRODUCT DIMENSIONS</b>	<b>inches (mm)</b>	<b>inches (mm)</b>	<b>inches (mm)</b>
Ⓐ Min overall height of product	23 ¾" (603)	23 ¾" (603)	23 ¾" (603)
Ⓐ Max overall height of product	41 ½" (1043)	41 ½" (1043)	41 ½" (1043)
Ⓑ Overall width of product	23 ⅞" (598)	29 ¾" (755)	35 ⅜" (898)
Ⓒ Overall depth of product	19 11/16" (500)	19 11/16" (500)	19 11/16" (500)
Ⓓ Height of product	2 ⅞" (65)	2 ⅞" (65)	2 ⅞" (65)
Ⓔ Height of stainless steel face panel	1 ⅞" (36)	1 ⅞" (36)	1 ⅞" (36)
Ⓕ Width of chimney	12 ⅝" (320)	12 ⅝" (320)	12 ⅝" (320)
Ⓖ Depth of chimney	11 7/16" (290)	11 7/16" (290)	11 7/16" (290)
Ⓗ Distance from center of ducting outlet to back of product	3 ⅜" (85)	3 ⅜" (85)	3 ⅜" (85)
Ⓘ Distance from center of ducting outlet to side of chimney	6 ⅝" (160)	6 ⅝" (160)	6 ⅝" (160)
Ⓙ Diameter of ducting outlet	6" (152)	6" (152)	6" (152)
Ⓚ Distance between center of lights	9 ⅝" (244)	9 ⅝" (244)	9 ⅝" (244)
Ⓛ Distance between center of lights and back of product	1 ⅜" (35)	1 ⅜" (35)	1 ⅜" (35)

## **IMPORTANT!**

**Actual product dimensions may vary by ± 1/16" (2 mm).**

# INSTALLATION INSTRUCTIONS

## Height of ventilation hood



### INSTALLATION DIMENSIONS

inches (mm)

Ⓜ Installation height	Ducted	min. 24 1/16" (627) - max. 43 1/16" (1034)
	Recirculation	min. 26 7/8" (682) - max. 43 1/16" (1034)
Ⓝ Height top of cooking surface to base of product		min. 26" (660) - max. recommended 36" (915)

This ventilation hood must be installed no lower than the minimum height indicated in the table above. Minimum installation height may be greater if required by the cooktop manufacturer or safety and warning section of this user guide. Installation at the minimum height will improve the efficiency of capturing cooking odors, grease and smoke. Installation at the maximum height improves user ergonomics by offering increased head room.

**WARNING!**

To reduce the risk of fire, use only metal ductwork. Do not use flexible plastic ducting

**CAUTION!**

To reduce risk of fire and to properly exhaust air, be sure to duct air outside – do not vent exhaust air into spaces within walls or ceilings or into attics, crawl spaces, or garages.

**Venting options**

Attention should be given to ensure that any applicable regulations concerning the discharge of exhaust air are fulfilled.

The ventilation hood can be installed to operate with the exhaust air ducted externally from the kitchen, or installed to operate with the exhaust air recirculating within the kitchen.

**Ducted**

For ducted installation it is recommended that 6" (152 mm) diameter, rigid or semi-rigid ducting is used. This will require a 6 <sup>5</sup>/<sub>16</sub>" (160 mm) (min) round hole in the ceiling or wall. Care should be taken to position the hole correctly.

For optimal efficiency use the shortest and straightest duct route possible and use rigid or semi-rigid ducting for reduced noise and increased airflow. Flexible metal ducting should only be used as a last resort (ie in difficult installations) and if used ensure that it is straight and smooth and extended as much as possible.

**Recirculating**

To enable the product to operate with the air recirculating, please purchase a recirculation diverter and carbon filters or recirculation kit (refer to the 'Parts and accessories' section). This recirculation diverter is required to channel the air out the side vents at the top of the chimney and the carbon filters are required to remove odors.

Note: a ducting hole is not required in the wall or ceiling if the ventilation hood is installed to operate with exhaust air recirculating.

# INSTALLATION INSTRUCTIONS

## WARNING!

- This product is heavy and requires two persons for installation.
- Installation work and electrical wiring must be done by qualified person(s) in accordance with all applicable codes and standards.

## IMPORTANT!

Wear gloves to protect against sharp edges.

The manufacturer is not liable for any damage caused by not following these instructions.

### Installation

#### ① Preparing for installation:

Before installing your ventilation hood:

- Please read the instructions carefully.
- Unpack the ventilation hood.
- Ensure the voltage (V) and the frequency (Hz) indicated on the serial plate match the voltage and frequency of the installation site.
- Check that the area behind the installation surface to be drilled is clear of any electrical cables or pipes etc
- The ventilation hood surfaces can be damaged during installation if grazed or knocked by tools. Please take care to protect the surfaces during installation.
- Protect the cooktop surface with cardboard, or the like, to prevent damage occurring whilst the ventilation hood is being installed above.
- Temporarily mark the height of the bottom of the ventilation hood and the center of the cooktop on the wall according to the information given in the 'Installation instructions – Height of ventilation hood' section.
- The wall used for mounting the ventilation hood should have sufficient strength and a flat surface.

#### ② Attach chimney brackets and ventilation hood mounting screws to the wall

- Attach the chimney bracket and upper chimney bracket (if using the upper chimney) in the locations shown in Fig.2 (refer to page 13) and Fig.3 (refer to page 14). Use the 1 $\frac{3}{16}$ " (30 mm) screws (and expansion plugs if attaching to masonry).
- Attach the upper ventilation hood mounting screws in the locations shown in Fig.2 (refer to page 13) and Fig.3 (refer to page 14). Using the 1 $\frac{3}{16}$ " (30 mm) screws (and expansion plugs if attaching to masonry). Ensure that there is a  $\frac{1}{16}$ " (2 mm) gap between the screw head and the wall (Fig.1).

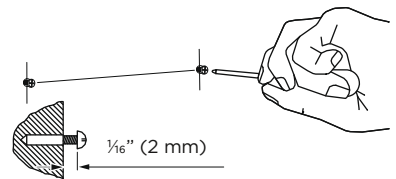


Fig.1

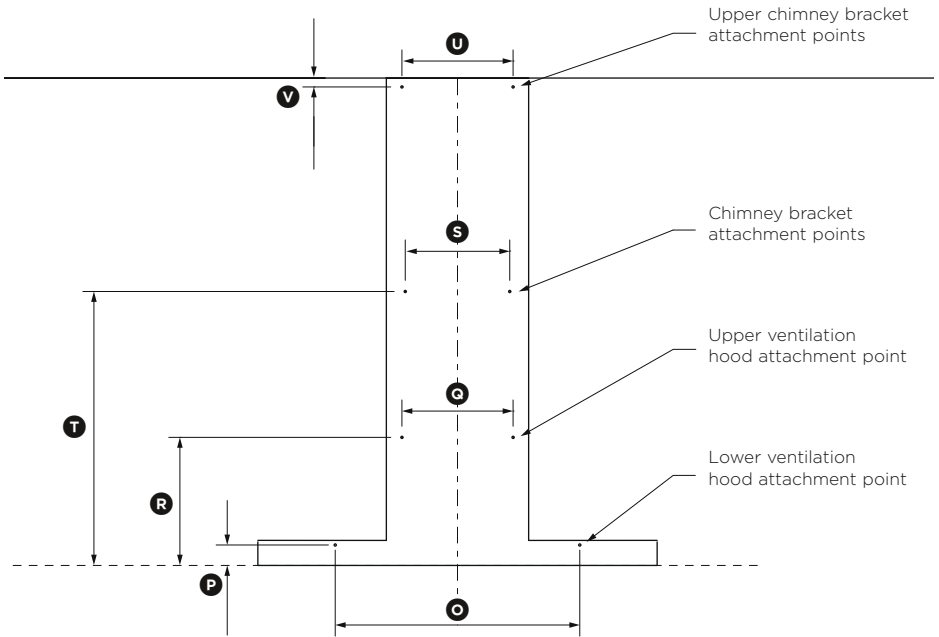


Fig.2

PRODUCT DIMENSIONS		inches (mm)
⊙	Lower ventilation hood attachment point width	20" (508)
Ⓟ	Lower ventilation hood attachment point height	1 1/16" (43)
Ⓠ	Upper ventilation hood attachment point width	9 7/8" (250)
Ⓡ	Upper ventilation hood attachment point height	11 5/16" (288)
Ⓢ	Chimney bracket attachment point width	9 1/4" (235)
Ⓣ	Chimney bracket attachment point height	22 1/4" (566)
Ⓤ	Upper chimney bracket attachment point width	9 7/8" (250)
Ⓥ	Upper chimney bracket attachment point height	1" (25)

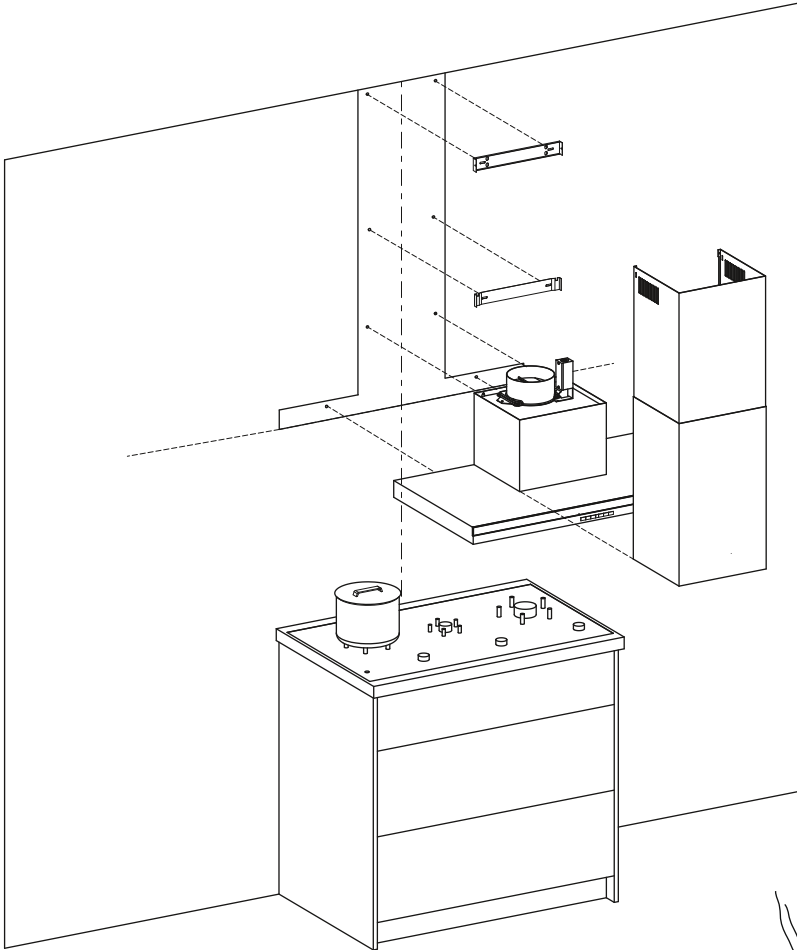
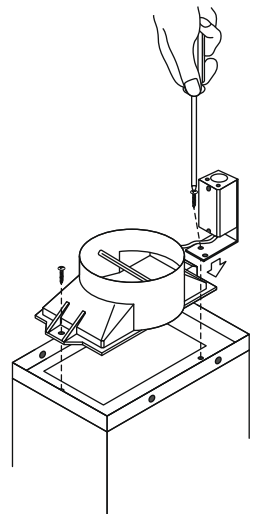


Fig.3

③ **Attach ducting adapter and power connection box to the ventilation hood**

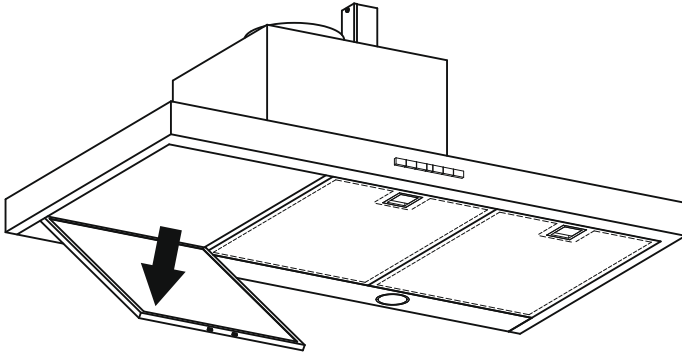
- Place the ducting adapter onto the ventilation hood and screw it in place using  $\frac{3}{8}$ " (10 mm) screws.
- Place the power connection box onto the ventilation hood and screw it in place using  $\frac{3}{8}$ " (10 mm) screws.
- Follow wiring instructions described in the 'Electrical connection' section page 16.



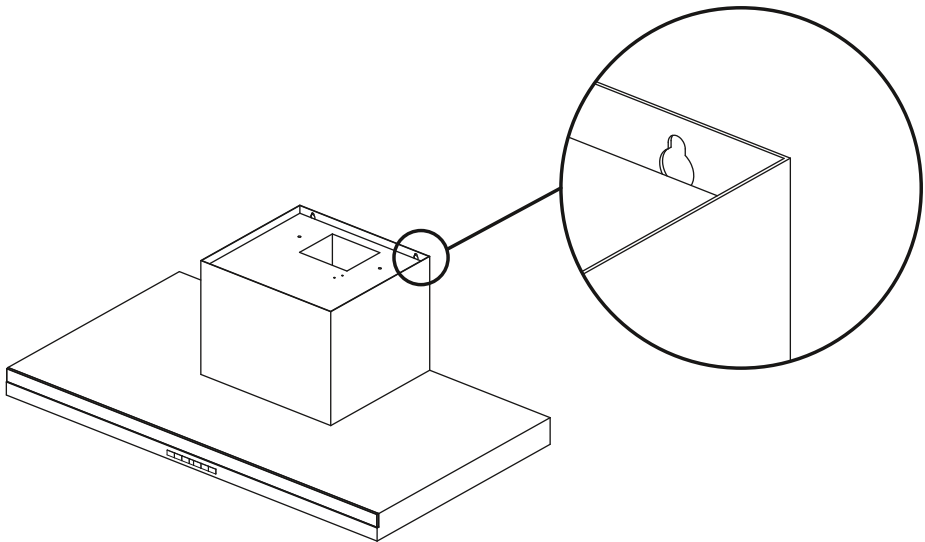


## ④ Wall mounting

- Remove the filters – pull the relative catch and tilt the filter downwards until it disengages from the supports.



- Hang the ventilation hood off the upper ventilation hood mounting screws with  $\frac{1}{16}$ " (2 mm) gap. Hang off the keyhole attachment points on the back of the ventilation hood then tighten the screws.



- Attach the lower ventilation hood mounting screws to fix the ventilation hood to the wall.
- Refit the filters.

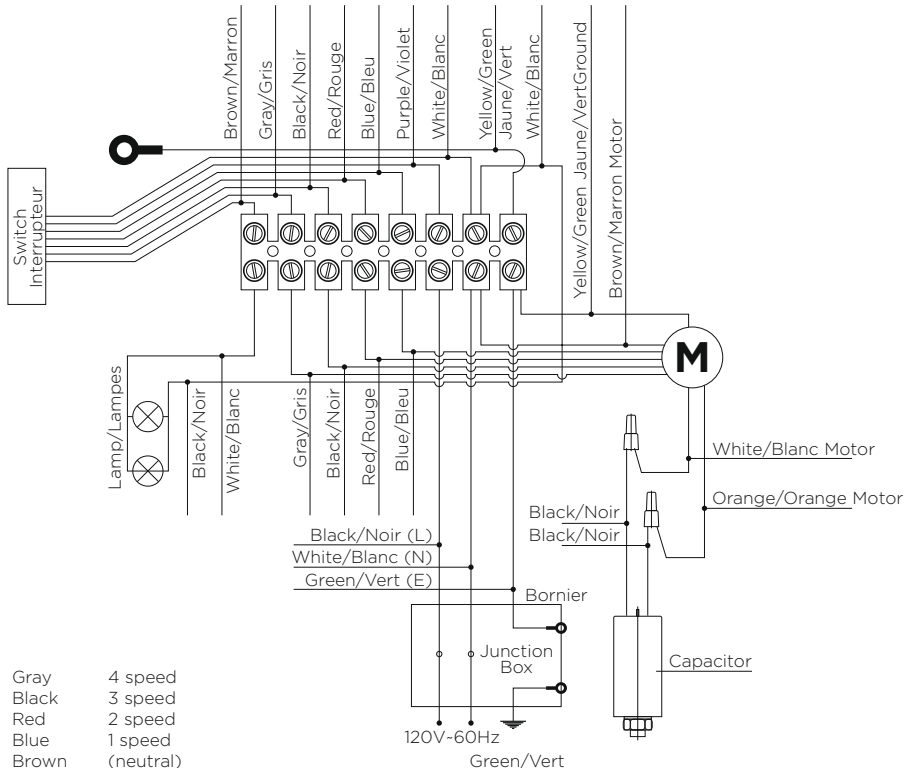
# INSTALLATION INSTRUCTIONS

## WARNING!

Electrical wiring must be done by qualified person(s) in accordance with all applicable codes and standards and the unit must be grounded.

### ⑤ Electrical connection

- Run three wires, two for the power supply and one for the ground wire, from the power connection box on the ventilation hood to a power connection point near the installation.
- Open the power connection box on the ventilation hood and secure the power conductor with a cULus listed strain relief (not included).
- Connect the power conductors to the conductors for the ventilation hood, black to black and white to white.
- Connect the grounding wire (green or bare) to the ground conductor (green) of the ventilation hood power connection box.
- Secure all the connections with cULus listed wire nuts.
- Replace the power connection box cover.

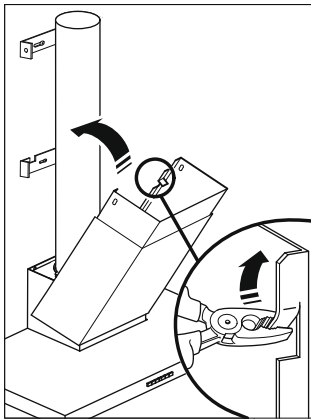


⑥ **Attach the ducting**

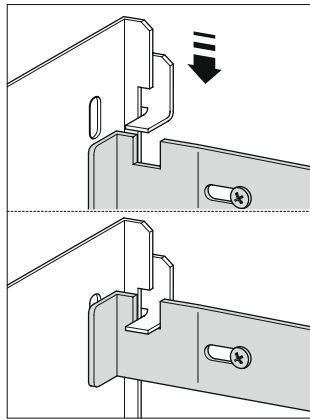
- Attach ducting to the ducting adapter using aluminum duct tape and vent outside.

⑦ **Attach chimney**

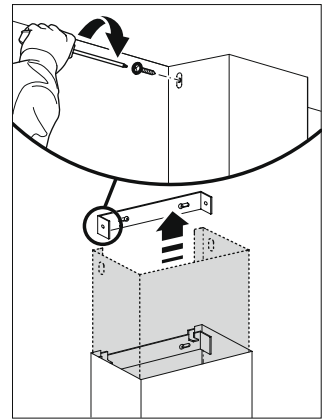
- Bend the tabs on the chimney (**A**).
- Place chimney around the ventilation hood chassis and hang off the chimney bracket (**B**).
- Extend the upper chimney and attach to the upper chimney bracket with  $\frac{1}{16}$ " (10 mm) screws (**C**).



**A**



**B**



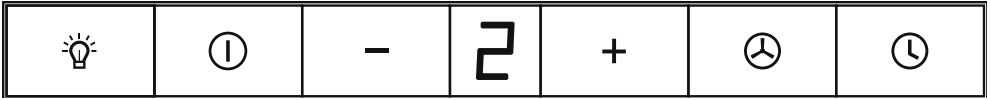
**C**

⑧ **Remove packaging**








- Remove all packaging and protective wrappings.

# OPERATING INSTRUCTIONS

## Touch control panel



### CONTROL PANEL FEATURES

	<b>Light</b>	Turn the lights on or off.
	<b>Power ON/OFF</b>	Turn the ventilation hood on or off. The fan automatically turns on to operate at level 1.
	<b>Reduce fan speed</b>	Adjust the fan speed levels from 1 - 4 with 1 being the lowest.
	<b>Fan speed indicator</b>	The fan speed level icon illuminates red with the current fan speed.
	<b>Increase fan speed</b>	Adjust the fan speed levels from 1 - 4 with 4 being the highest.
	<b>Max</b>	Turn the fan on directly onto maximum fan speed.
	<b>Timer</b>	Turn the timer on. The fan speed light blinks and the fan will operate for 5 minutes at the current speed and each decreasing speed before turning off (the fan will stop and the light will go out). To cancel the timer press the timer button once.

Note: for optimal performance it is recommended that the ventilation hood is turned on before cooking is started.

### **IMPORTANT!**

**The ventilation hood may stop working during an electrostatic discharge (eg lightning). Switch off the electricity supply to the ventilation hood and reconnect after one minute.**

**WARNING!**

Unplug or disconnect the appliance from the power supply before servicing or cleaning.

**IMPORTANT!**

- Never use abrasive or oil based cleaners.
- Wear gloves to protect against sharp edges.

**Maintenance**

The ventilation hood should be cleaned regularly using a mild, liquid detergent and a clean soft cloth to avoid a build-up of grease occurring. Avoid the use of corrosive chemicals, abrasive cleaning products, hard brushes and steel wool pads. Grease deposits are corrosive which can cause damage to your ventilation hood.

Note: in areas of high humidity or coastal environments, cleaning should be carried out more frequently.

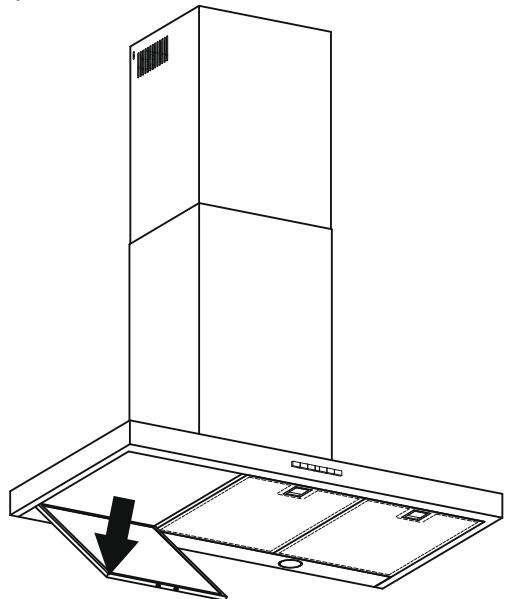
**Aluminum filters**

- Depending on use, and at least once a month, the aluminum filters should be removed and cleaned with hot soapy water or in a dishwasher.
- If washed in a dishwasher, the filter should be placed in an upright position to prevent food from falling on them.
- After rinsing and drying, refit the filters.

Note: some discoloration of the frames may occur.

**Removing the aluminum filters:**

- ① Pull the relative catch, tilting the filter downwards until it disengages from the supports.
- ② Reverse these instructions when refitting the filters.



### **WARNING!**

**When replacing the bulb, let the bulb cool, and assure that power to the ventilation hood has been turned off. Use new bulbs according to that indicated on the ventilation hood nameplate.**

### **Carbon filters - for use in recirculation mode**

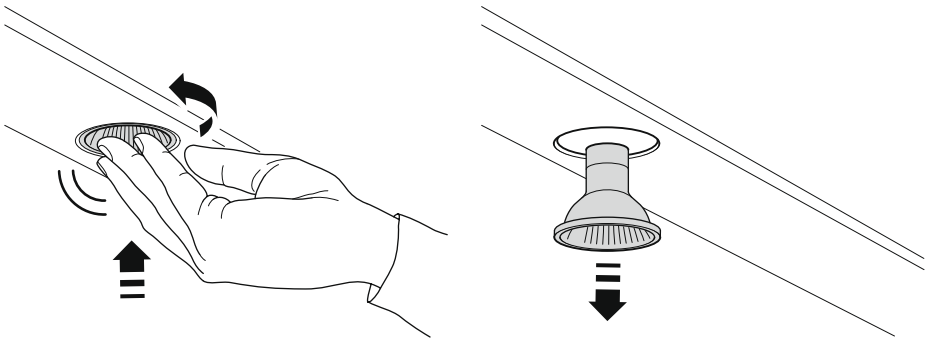
Active carbon filters are disposable items designed to remove grease and odors from cooking vapors before the air is channeled back into the kitchen. The active carbon filters must be replaced periodically to work properly, at least once every three months, depending on the frequency with which the ventilation hood is used.

Note: fully saturated carbon filters can become a barrier to air movement therefore limiting ventilation hood performance. In the event of fire, grease laden filters could be flammable and therefore regular replacement is recommended.

### **Replacing the light bulb**

Note: replacement bulbs are not covered by warranty.

- ① Remove the aluminum filters.
- ② Lightly push the light bulb up and rotate anti-clockwise to remove.
- ③ Replace light bulb with a light bulb no more powerful than that specified.
- ④ Refit the aluminum filters.



---

<b>ITEM</b>	<b>REFERENCE NUMBER</b>
LED bulb	792579
Aluminum filter	792558
Recirculation carbon filter x2	791772
Recirculation diverter	792580

---

## LIMITED WARRANTY

---

When you purchase any new Fisher & Paykel ventilation hood for personal or consumer use you automatically receive a two year limited warranty covering parts and labor for servicing within the 48 mainland United States, Hawaii, Washington DC and Canada. In Alaska the limited warranty is the same except that you must pay to ship the product to the service shop or the service technician's travel to your home. Products for use in Canada must be purchased through the Canadian distribution channel to ensure regulatory compliance.

If the product is installed in a motor vehicle, boat or similar mobile facility, you receive the same two year limited warranty, but you must bring the vehicle, boat or mobile facility containing the product to the service shop at your expense or pay the service technician's travel to the location of the product.

There is no warranty for commercial purchase or use.

### **Fisher & Paykel undertakes to:**

Repair without cost, with limited exceptions described herein, to the owner either for material or labor any part of the product, the serial number of which appears on the product, which is found to be defective. In Alaska, you must pay to ship the product to the service shop or for the service technician's travel to your home. If the product is installed in a motor vehicle, boat or similar mobile facility, you must bring it to the service shop at your expense or pay for the service technician's travel to the location of the product. If we are unable to repair a defective part of the product after a reasonable number of attempts, at our option we may replace the part or the product, or we may provide you a full refund of the purchase price of the product (not including installation or other charges).

This warranty extends to the original purchaser and any succeeding owner of the product during the term of the warranty for products purchased for ordinary single-family home use.

All service under this limited warranty shall be provided by Fisher & Paykel or its Authorized Service Agent during normal business hours.

### **How long does this limited warranty last?**

Our liability under this limited warranty expires TWO YEARS from the date of purchase of the product by the first consumer.

Our liability under any implied warranties, including the implied warranty of merchantability (an unwritten warranty that the product is fit for ordinary use) expires TWO YEARS (or such longer period as required by applicable law) from the date of purchase of the product by the first consumer. Some States do not allow limitations on how long an implied warranty lasts, so this limit on implied warranties may not apply to you. Fisher & Paykel will honor any warranty required by the law of the particular country or state in which the product is sold.



**This limited warranty does not cover:**

- (A) Service calls that are not related to any defect in the product. The cost of a service call will be charged if the problem is not found to be a defect of the product. For example:
  - ① Correcting faulty installation of the product.
  - ② Instructing you how to use the product.
  - ③ Replacing house fuses, resetting circuit breakers, correcting house wiring or plumbing, or replacing light bulbs.
  - ④ Correcting fault(s) caused by the user.
  - ⑤ Changing the set-up of the product.
  - ⑥ Unauthorized modifications of the product.
  - ⑦ Noise or vibration that is considered normal, for example, fan sounds/noises or user warning beeps.
  - ⑧ Correcting damage caused by pests, for example, rats, cockroaches, etc
  - ⑨ Replacement light bulbs.
- (B) Defects caused by factors other than:
  - ① Normal domestic use; or
  - ② Use in accordance with the product's user guide.
- (C) Defects to the product caused by accident, neglect, misuse, fire, flood or 'act of God'.
- (D) The cost of repairs carried out by non-authorized repairers or the cost of correcting such unauthorized repairs.
- (E) Travel fees and associated charges incurred when the product is installed in a location with limited or restricted access (eg airplane flights, ferry charges, isolated geographic areas).
- (F) Normal recommended maintenance as set out in the product's user guide.
- (G) Filter replacement except in the case of faulty parts or materials within the filter cartridge.
- (H) Damage (including water damage) caused by faulty installation, plumbing or wiring.

This product has been designed for use in a normal domestic (residential) environment. This product is not designed for commercial use (whatsoever). Any commercial use by a customer will terminate this product's limited warranty.

If you have an installation problem contact your dealer or installer. You are responsible for providing adequate electrical, exhausting and other connection facilities.

Fisher & Paykel will not be responsible for consequential or incidental damages (including, without limitation, the cost of repairing or replacing other property damaged if the product is defective or any of your expenses caused if the product is defective). Some States do not allow the exclusion or limitation of incidental or consequential damages, so the above limitation or exclusion may not apply to you.

# LIMITED WARRANTY

---

## How to get service

Please read your user guide. If you then have any questions about operating the product, need the name of your local Fisher & Paykel Authorized Service Agent, or believe the product is defective and wish service under this limited warranty, please contact your dealer or call us at:

### USA and Canada

TOLL FREE **1.888.9.FNP.USA (1.888.936.7872)**

or use the link at: **[www.fisherpaykel.com/locator/servicer/](http://www.fisherpaykel.com/locator/servicer/)**

You may be required to provide reasonable proof of the date of purchase of the product before the product will be serviced under this limited warranty.

## No other warranties

This limited warranty is the complete and exclusive agreement between you and Fisher & Paykel regarding any defect in the product and no other express warranty has been made or will be made on behalf of Fisher & Paykel. None of our employees (or our Authorized Service Agents) are authorized to make any addition or modification to this limited warranty.

Warrantor: Fisher & Paykel Appliances, Inc.

If you need further help concerning this limited warranty, or need to make a claim under this warranty, please call us at the above number, or write to:

Fisher & Paykel Appliances, Inc.  
695 Town Center Drive, Suite 180  
Costa Mesa  
CA 92626

This limited warranty gives you specific legal rights, and you may also have other rights which vary from country to country and from state to state.

Complete and keep for safe reference:

Model \_\_\_\_\_

Serial No. \_\_\_\_\_

Purchase Date \_\_\_\_\_

Purchaser \_\_\_\_\_

Dealer \_\_\_\_\_

Suburb \_\_\_\_\_

Town \_\_\_\_\_

Country \_\_\_\_\_





---

Introduction	29
Consignes de sécurité et mises en garde	30
Instructions d'installation	32
Instructions d'utilisation	44
Nettoyage et entretien	45
Pièces et accessoires	47
Garantie limitée	48

---

## **IMPORTANT!**

### **CONSERVEZ CES INSTRUCTIONS**

Les modèles illustrés dans ce guide d'utilisation peuvent ne pas être disponibles dans tous les pays et sont sujets à modifications sans préavis. Pour les plus récentes informations sur la disponibilité des modèles et des caractéristiques dans votre pays, veuillez visiter notre site Web [www.fisherpaykel.com](http://www.fisherpaykel.com) ou contacter votre détaillant Fisher & Paykel local.

### **Enregistrement**

Enregistrez votre produit afin que nous puissions vous offrir un service de la meilleure qualité possible.

Pour enregistrer votre produit, visitez notre site Web : [www.fisherpaykel.com](http://www.fisherpaykel.com)

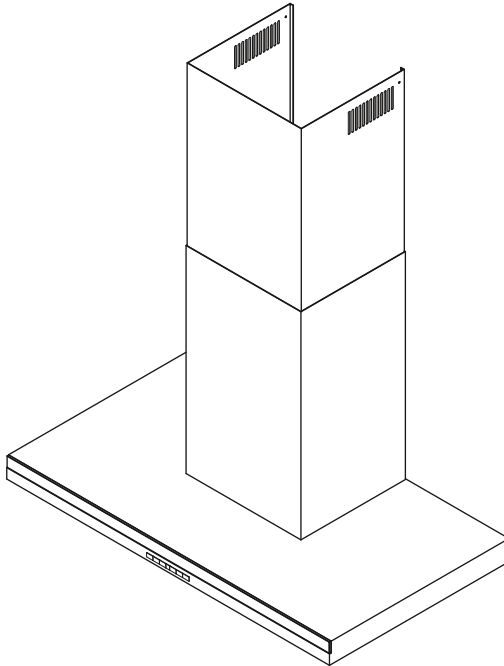


Nous vous remercions d'avoir acheté ce produit Fisher & Paykel.

Plusieurs milliers d'heures sont consacrées à la conception, l'ingénierie, la mise à l'essai et le perfectionnement de chaque appareil Fisher & Paykel. L'attention et le soin portés à la création de ces superbes produits se poursuivent même après leur livraison à votre domicile.

Ce manuel d'utilisation et d'entretien répond à la plupart des questions concernant l'installation, l'utilisation et l'entretien de routine de votre produit Fisher & Paykel; toutefois, si vous avez besoin d'informations supplémentaires au sujet de votre produit et de son fonctionnement, veuillez visiter notre site Web pour obtenir des solutions et des coordonnées permettant de communiquer avec un représentant de service.

Pour vous assurer de recevoir toutes les mises à jour sur nos produits et un service de la meilleure qualité possible, veuillez enregistrer vos produits Fisher & Paykel sur notre site Web.



### ⚠ MISE EN GARDE!



**33 lb (15 kg)**  
(HC24)

**35 lb (16 kg)**  
(HC30)

**37 lb (17 kg)**  
(HC36)

Risque de poids excessif

La hotte de ventilation est lourde. Lors de l'installation de la hotte de ventilation, veuillez vous assurer de porter une attention appropriée afin d'éviter toute blessure.

La hotte de ventilation doit être installée sur un mur, un montant, une poutre ou une ferme de charpente solide.

Le poids du produit est de 33 lb (15 kg) HC24 / 35 lb (16 kg) HC30 / 37 lb (17 kg) HC36.

### ⚠ MISE EN GARDE!



Risque de choc électrique

Déconnectez toujours l'appareil de l'alimentation électrique avant de procéder à l'entretien ou à des réparations.

L'installation et le câblage électrique doivent être réalisés par une ou plusieurs personne(s) qualifiée(s), en conformité avec tous les codes et toutes les normes applicables, notamment en ce qui concerne les constructions ignifuges.

Le fait de ne pas respecter ces consignes peut causer la mort, un choc électrique, un incendie ou des blessures.

## CONSIGNES DE SÉCURITÉ IMPORTANTES

VEUILLEZ LIRE TOUTES CES CONSIGNES AVANT D'INSTALLER OU UTILISER CET APPAREIL. Les manuels sont également disponibles sur notre site Web [www.fisherpaykel.com](http://www.fisherpaykel.com).

- **ATTENTION :** Utiliser uniquement pour la ventilation générale. Ne pas utiliser pour l'évacuation de matières ou de vapeurs dangereuses ou explosives.
- **MISE EN GARDE!** Pour réduire les risques d'incendie, de choc électrique ou de blessures, respectez ces consignes :
  - Utilisez cet appareil uniquement de la manière prévue par le fabricant. Pour toute question, communiquez avec le fabricant. Pour une utilisation résidentielle uniquement.
  - Avant de procéder à l'entretien ou au nettoyage de l'appareil, interrompez l'alimentation au panneau électrique et verrouillez le dispositif d'interruption de courant pour éviter que l'alimentation puisse être rétablie accidentellement. S'il n'est pas possible de verrouiller le dispositif d'interruption de courant, apposez un avertissement bien visible sur le panneau électrique, par exemple à l'aide d'une étiquette.
  - L'installation et le câblage électrique doivent être réalisés par une ou plusieurs personne(s) qualifiée(s), en conformité avec tous les codes et toutes les normes applicables, notamment en ce qui concerne les constructions ignifuges.



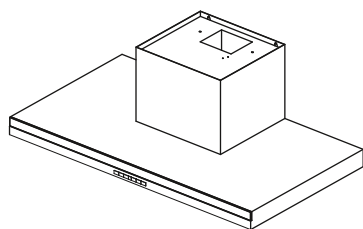
- Pour éviter le refoulement d'air, une quantité d'air suffisante est nécessaire pour assurer une bonne combustion et l'évacuation des gaz à travers le carneau (cheminée) de l'appareil. Suivez les consignes du fabricant de l'appareil de cuisson ainsi que les normes de sécurité comme celles publiées par la National Fire Protection Association (NFPA) et la American Society for Heating, Refrigeration and Air Conditioning Engineers (ASHRAE), ainsi que les normes locales.
- Au moment de couper ou percer le mur ou le plafond, veillez à ne pas endommager le câblage électrique ou les conduites qui y sont dissimulés.
- Les ventilateurs avec conduits doivent toujours évacuer l'air vers l'extérieur.
- Cet appareil doit être mis à la terre.
- **ATTENTION** : Pour réduire les risques d'incendie et évacuer l'air adéquatement, assurez-vous d'évacuer l'air vers l'extérieur - N'évacuez pas l'air dans les murs, plafonds, greniers, vides sanitaires ou garages.
- **MISE EN GARDE** : Pour réduire les risques d'incendie, utilisez uniquement des conduits en métal.
- **MISE EN GARDE** : Pour réduire les risques d'incendie ou de choc électrique, n'utilisez pas ce ventilateur avec un dispositif de contrôle de vitesse à semi-conducteurs.
- **MISE EN GARDE** : Pour réduire les risques de feu de graisse sur la cuisinière :
  - Ne laissez jamais les éléments de surface sans surveillance lors de l'utilisation de réglages élevés. Les débordements produisent de la fumée et des déversements de matières grasses qui peuvent s'enflammer. Chauffez les huiles lentement, à feu doux ou moyen.
  - Allumez toujours la hotte lorsque vous cuisinez à feu vif ou faites flamber des aliments (par ex. : crêpes Suzette, cerise jubilé, steak au poivre flambé).
  - Nettoyez fréquemment les ventilateurs. Ne laissez jamais la graisse s'accumuler sur le ventilateur ou le filtre.
  - Utilisez des récipients de taille appropriée. Utilisez toujours des plats de cuisson adaptés à la taille de l'élément de surface.
- **MISE EN GARDE** : Pour réduire les risques de blessures en cas de feu de graisse sur la cuisinière, respectez ces consignes\* :
  - **ÉTOUFFEZ LES FLAMMES** avec un couvercle hermétique, une plaque à biscuits ou un plateau métallique, puis éteignez le brûleur. **FAITES ATTENTION DE NE PAS VOUS BRÛLER.** Si les flammes ne s'éteignent pas immédiatement, **ÉVACUEZ LA PIÈCE ET APPELEZ LE SERVICE D'INCENDIE.**
  - **NE PRENEZ JAMAIS UN RÉCIPIENT QUI EST EN FLAMMES** - vous pourriez vous brûler.
  - **N'UTILISEZ PAS DE L'EAU**, ni de linges ou serviettes humides, car cela pourrait causer une violente explosion de vapeur.
  - Utilisez un extincteur **UNIQUEMENT** si :
    - Vous savez qu'il s'agit d'un extincteur de classe ABC et vous savez vous en servir.
    - Le feu est peu important et localisé dans la zone où il a commencé.
    - Vous avez appelé le service d'incendie.
    - Vous pouvez combattre le feu en ayant le dos tourné vers une sortie.
- **MISE EN GARDE** : Débranchez ou déconnectez l'appareil de l'alimentation électrique avant de procéder à l'entretien ou au nettoyage.

## LISEZ ET CONSERVEZ CES INSTRUCTIONS

\* Tirés des conseils sur la sécurité en matière d'incendie de cuisine de la NFPA.

# INSTRUCTIONS D'INSTALLATION

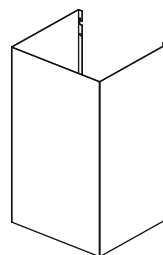
## Contenu de l'emballage



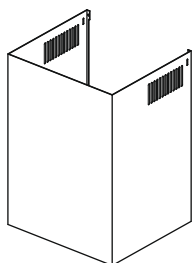
Hotte de ventilation  
(1)



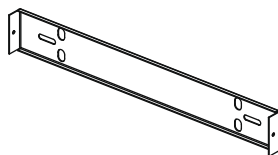
Instructions d'installation  
Guide d'utilisation  
(1)



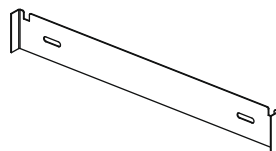
Cheminée  
(1)



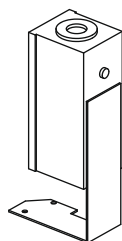
Cheminée supérieure  
(1)



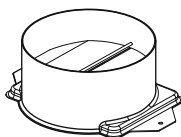
Support de cheminée  
supérieure (1)



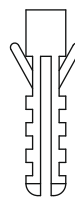
Support de cheminée  
(1)



Boîtier de raccordement  
d'alimentation  
(1)



Adaptateur de conduit  
de 6 po (152 mm) de  
diamètre avec clapet anti-  
refoulement d'air  
(1)



Cheville expansible  
de 1  $\frac{3}{16}$  po (30 mm)  
(10)



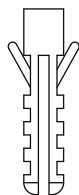
Vis autotaraudeuses  
de  $1\frac{3}{16}$  po (30 mm)  
(10)



Vis autotaraudeuses  
de  $\frac{3}{8}$  po (10 mm)  
(4)



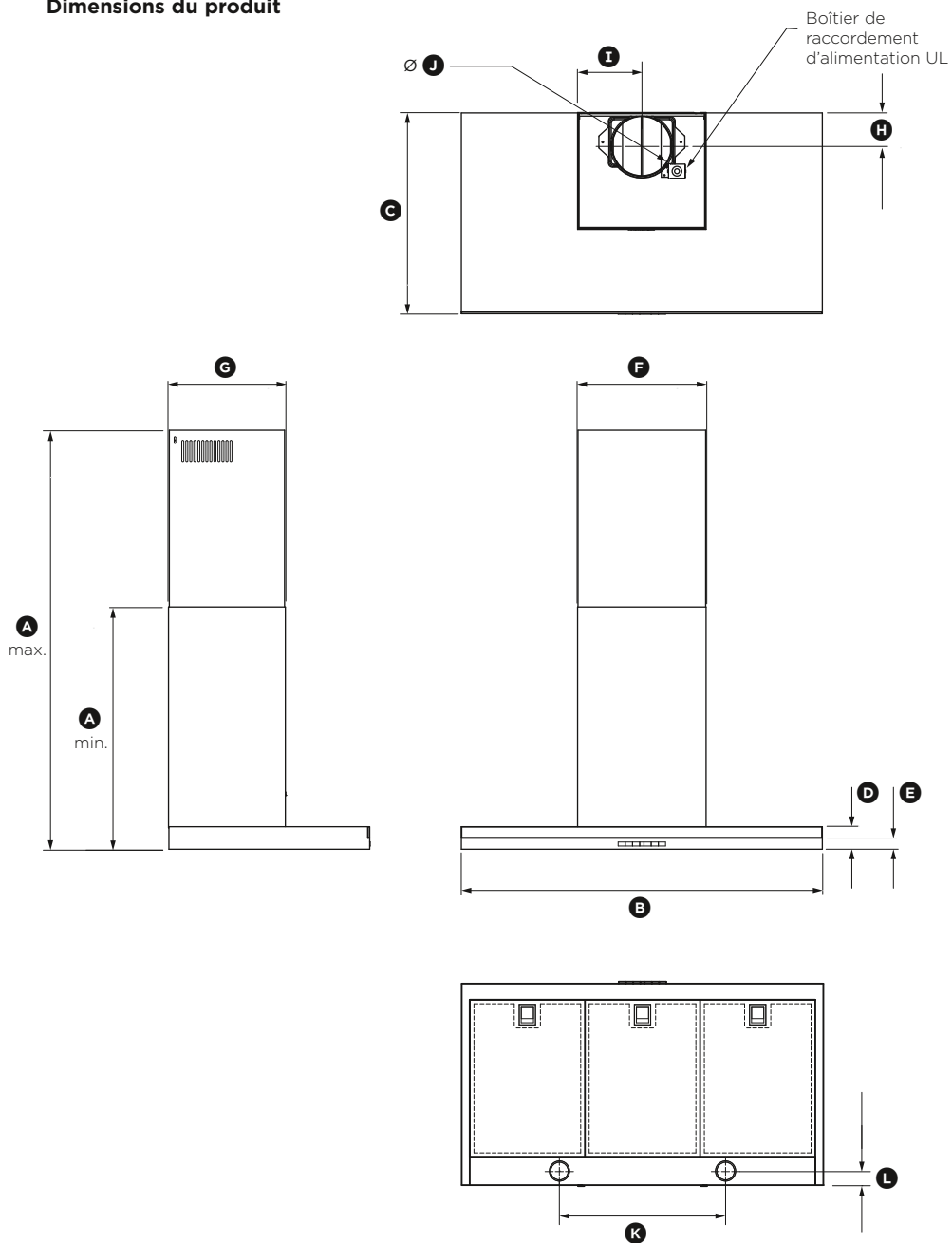
Vis de  $\frac{3}{8}$  po  
(10 mm)  
(2)



Chevilles expansibles  
pour cloison sèche  
de  $1\frac{3}{4}$  po (44 mm)  
(8)

# INSTRUCTIONS D'INSTALLATION

## Dimensions du produit



Veuillez lire toutes les instructions avant d'installer la hotte de ventilation.

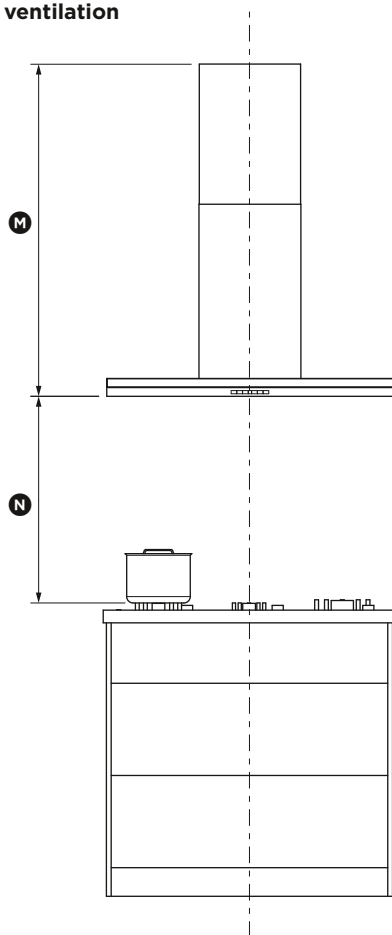
DIMENSIONS DU PRODUIT	HC24DTXB2	HC30DTXB2	HC36DTXB2
	pouces (mm)	pouces (mm)	pouces (mm)
Ⓐ Hauteur hors tout min. du produit	23 ¾ po (603)	23 ¾ po (603)	23 ¾ po (603)
Ⓐ Hauteur hors tout max. du produit	41 ½ po (1 043)	41 ½ po (1 043)	41 ½ po (1 043)
Ⓑ Largeur hors tout du produit	23 ⅞ po (598)	29 ¾ po (755)	35 ⅞ po (898)
Ⓒ Profondeur hors tout du produit	19 1½ po (500)	19 1½ po (500)	19 1½ po (500)
Ⓓ Hauteur du produit	2 ⅞ po (65)	2 ⅞ po (65)	2 ⅞ po (65)
Ⓔ Hauteur de façade inox	1 ⅞ po (36)	1 ⅞ po (36)	1 ⅞ po (36)
Ⓕ Largeur de la cheminée	12 ⅝ po (320)	12 ⅝ po (320)	12 ⅝ po (320)
Ⓖ Profondeur de la cheminée	11 ⅞ po (290)	11 ⅞ po (290)	11 ⅞ po (290)
Ⓗ Distance entre le centre de la sortie de conduit et l'arrière de l'appareil	3 ⅜ po (85)	3 ⅜ po (85)	3 ⅜ po (85)
Ⓘ Distance entre le centre de la sortie de conduit et le côté de la cheminée	6 ⅝ po (160)	6 ⅝ po (160)	6 ⅝ po (160)
Ⓙ Diamètre de la sortie de conduit	6 po (152)	6 po (152)	6 po (152)
Ⓚ Distance entre le centre des lampes	9 ⅝ po (244)	9 ⅝ po (244)	9 ⅝ po (244)
Ⓛ Distance entre le centre des lampes et l'arrière de l'appareil	1 ⅜ po (35)	1 ⅜ po (35)	1 ⅜ po (35)

**IMPORTANT!**

Les dimensions réelles du produit peuvent varier de  $\pm$  ⅞ po (2 mm).

# INSTRUCTIONS D'INSTALLATION

## Hauteur de la hotte de ventilation



### DIMENSIONS D'INSTALLATION

pouces (mm)

Ⓜ	Hauteur d'installation Avec conduit Avec recirculation	min. 24 <sup>1</sup> / <sub>16</sub> po (627) – max. 43 <sup>1</sup> / <sub>16</sub> po (1 034) min. 26 <sup>7</sup> / <sub>8</sub> po (682) – max. 43 <sup>1</sup> / <sub>16</sub> po (1 034)
Ⓝ	Hauteur du dessus de la surface de cuisson à la base du produit	min. 26 po (660) – max. recommandé 36 po (915)

La hotte de ventilation doit être installée en respectant le dégagement minimal et maximal indiqués dans le tableau ci-dessus. La hauteur d'installation minimale peut être augmentée si nécessaire suivant les instructions du fabricant de votre surface de cuisson ou les consignes de sécurité et mises en garde décrites dans ce manuel. Une installation à la hauteur inférieure améliore l'efficacité de l'appareil pour l'élimination des odeurs, de la graisse et de la fumée de cuisson. Une installation à la hauteur maximale améliore l'ergonomie pour l'utilisateur avec plus de dégagement pour la tête.

**MISE EN GARDE!**

Pour réduire les risques d'incendie, utilisez uniquement des conduits en métal. N'utilisez pas de conduits en plastique flexible.

**ATTENTION!**

Pour réduire les risques d'incendie et évacuer l'air adéquatement, assurez-vous d'évacuer l'air vers l'extérieur – n'évacuez pas l'air dans les murs, plafonds, greniers, vides sanitaires ou garages.

**Options pour l'évacuation**

Veillez porter une attention particulière à assurer la conformité à toutes les réglementations relatives à l'évacuation de l'air.

La hotte de ventilation peut être installée de manière à fonctionner en évacuant l'air à l'extérieur de la cuisine par un conduit, ou encore en faisant recirculer l'air évacué dans la cuisine.

**Avec conduit**

Pour l'installation avec conduit, il est recommandé d'utiliser un conduit rigide ou semi-rigide de 6 po (152 mm) de diamètre. Un trou circulaire de 6 5/16 po (160 mm) (min.) est alors requis dans le plafond ou le mur. Veuillez vous assurer de positionner le trou correctement.

Pour une efficacité optimale, utilisez le trajet de conduit le plus court et le plus droit possible, ainsi qu'un conduit rigide ou semi-rigide afin d'atténuer le bruit et augmenter la circulation d'air. Un conduit en métal flexible doit uniquement être utilisé en dernier recours (dans des installations difficiles); en pareil cas, veillez à ce qu'il soit aussi droit, lisse et allongé que possible.

**Avec recirculation**

Pour que le produit puisse fonctionner en faisant recirculer l'air, veuillez acheter un déflecteur de recirculation et des filtres à charbon ou kit de recirculation (reportez-vous à la section 'Pièces et accessoires'). Ce déflecteur de recirculation est requis pour évacuer l'air par les événements latéraux dans le haut de la cheminée, et les filtres à charbon, pour éliminer les odeurs.

Remarque : aucune ouverture de conduit n'est requise dans le mur ou le plafond si la hotte de ventilation est installée de manière à faire recirculer l'air évacué.

## MISE EN GARDE!

- Ce produit est lourd et doit être installé par deux personnes.
- L'installation et le câblage électrique doivent être réalisés par une ou plusieurs personne(s) qualifiée(s), en conformité avec tous les codes et toutes les normes applicables.

## IMPORTANT!

Portez des gants pour vous protéger des rebords tranchants.

Le fabricant n'est pas responsable des dommages résultant du non-respect de ces instructions.

### Installation

#### ① Préparation pour l'installation :

Avant d'installer votre hotte de ventilation :

- Veuillez lire attentivement les instructions.
- Déballez la hotte de ventilation.
- Assurez-vous que la tension (V) et la fréquence (Hz) indiquées sur la plaque signalétique correspondent à la tension et la fréquence sur le site d'installation.
- Vérifiez que la section à l'arrière de la surface d'installation devant être percée ne contient aucun câble électrique, tuyau, etc.
- Les surfaces de la hotte de ventilation peuvent être endommagées pendant l'installation en cas de frottement ou contact avec un outil. Veuillez vous assurer de protéger les surfaces pendant l'installation.
- Protégez la surface de cuisson avec du carton ou un matériau semblable pour éviter de l'endommager pendant l'installation de la hotte de ventilation.
- Marquez temporairement la hauteur de la partie inférieure de la hotte de ventilation et le centre de la surface de cuisson sur le mur, conformément aux informations indiquées dans la section 'Instructions d'installation - Hauteur de la hotte de ventilation'.
- Le mur servant à installer la hotte de ventilation doit être suffisamment solide et comporter une surface plane.

#### ② Fixez les supports de cheminée et les vis de montage de la hotte de ventilation sur le mur

- Fixez le support de cheminée et le support de cheminée supérieure (si vous utilisez cette dernière) aux emplacements indiqués dans la Fig.2 (page 39) et la Fig.3 (page 40). Utilisez les vis de 1 $\frac{3}{16}$  po (30 mm) (ainsi que les chevilles expansibles, si vous les fixez à la maçonnerie).
- Fixez les vis de montage supérieures de la hotte de ventilation aux emplacements indiqués dans la Fig.2 (page 39) et la Fig.3 (page 40). Utilisez les vis de 1 $\frac{3}{16}$  po (30 mm) (ainsi que les chevilles expansibles, si vous les fixez à la maçonnerie). Assurez-vous de laisser un espace de  $\frac{1}{16}$  po (2 mm) entre la tête de vis et le mur (Fig.1).

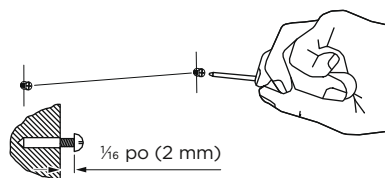


Fig.1



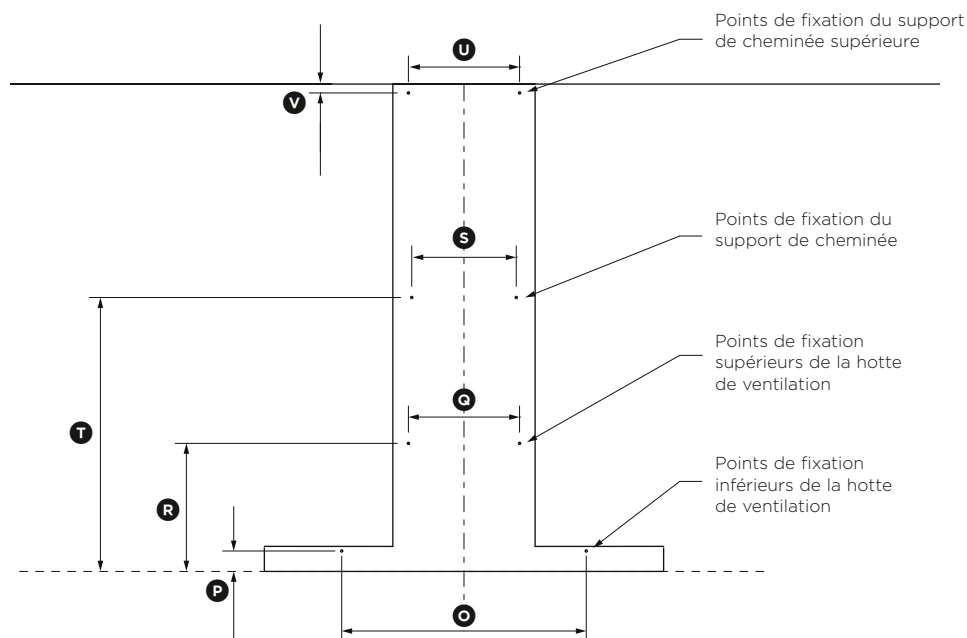


Fig.2

DIMENSIONS DU PRODUIT	pouces (mm)
⊙ Largeur des points de fixation inférieurs de la hotte de ventilation	20 po (508)
Ⓟ Hauteur des points de fixation inférieurs de la hotte de ventilation	1 <sup>11</sup> / <sub>16</sub> po (43)
Ⓠ Largeur des points de fixation supérieurs de la hotte de ventilation	9 <sup>7</sup> / <sub>8</sub> po (250)
Ⓡ Hauteur des points de fixation supérieurs de la hotte de ventilation	11 <sup>5</sup> / <sub>16</sub> po (288)
Ⓢ Largeur des points de fixation du support de cheminée	9 <sup>1</sup> / <sub>4</sub> po (235)
Ⓣ Hauteur des points de fixation du support de cheminée	22 <sup>1</sup> / <sub>4</sub> po (566)
Ⓤ Largeur des points de fixation du support de cheminée supérieure	9 <sup>7</sup> / <sub>8</sub> po (250)
Ⓥ Hauteur des points de fixation du support de cheminée supérieure	1 po (25)

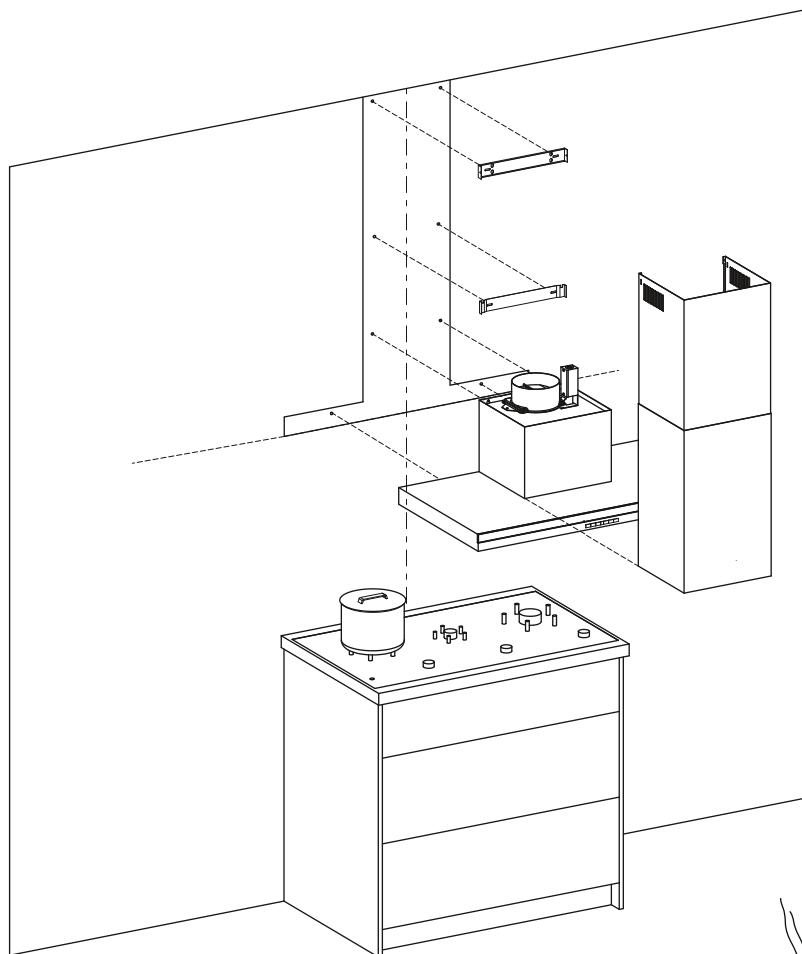
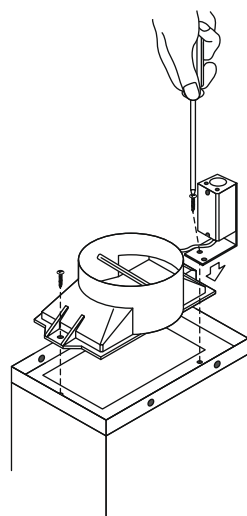


Fig.3

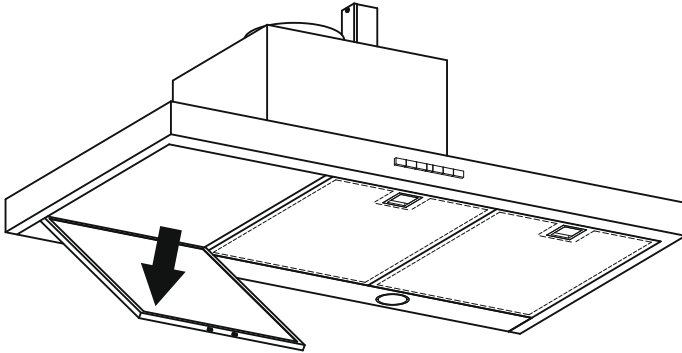
③ **Installez l'adaptateur de conduit et le boîtier de raccordement d'alimentation à la hotte de ventilation**

- Placez l'adaptateur de conduit sur la hotte de ventilation, puis vissez-le en place à l'aide des vis de  $\frac{3}{8}$  po (10 mm).
- Placez le boîtier de raccordement d'alimentation sur la hotte de ventilation, puis vissez-le en place à l'aide des vis de  $\frac{3}{8}$  po (10 mm).
- Suivez les instructions de câblage présentées dans la section 'Raccordement électrique' à la page 42.

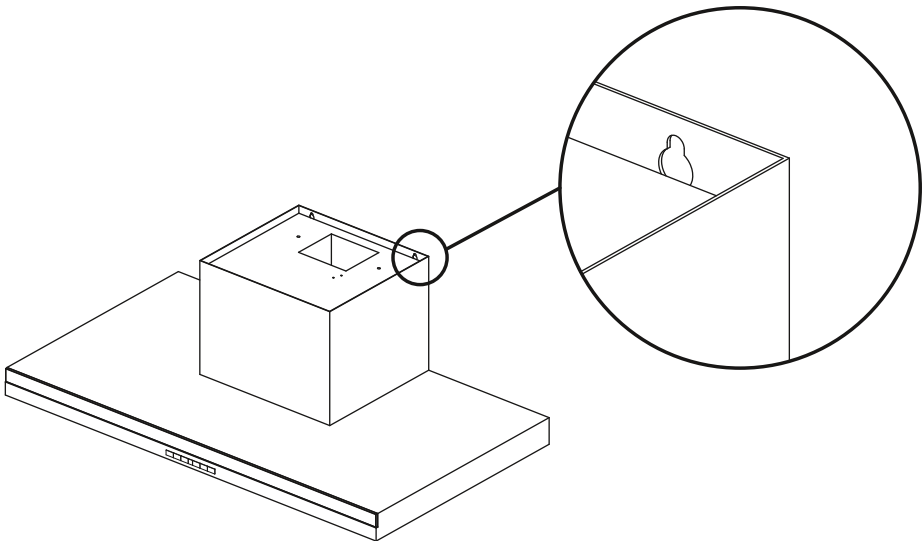


**④ Montage au mur**

- Retirez les filtres – tirez sur le loquet afin d'incliner le filtre vers le bas jusqu'à ce qu'il se désengage des supports.



- Suspendez la hotte de ventilation sur les vis de montage supérieures avec un espace de  $\frac{1}{16}$  po (2 mm). Suspendez-la à l'aide des points de fixation avec encoche en trou de serrure situés à l'arrière, puis serrez les vis.



- Installez les vis de montage inférieures de la hotte de ventilation pour la fixer au mur.
- Réinstallez les filtres.

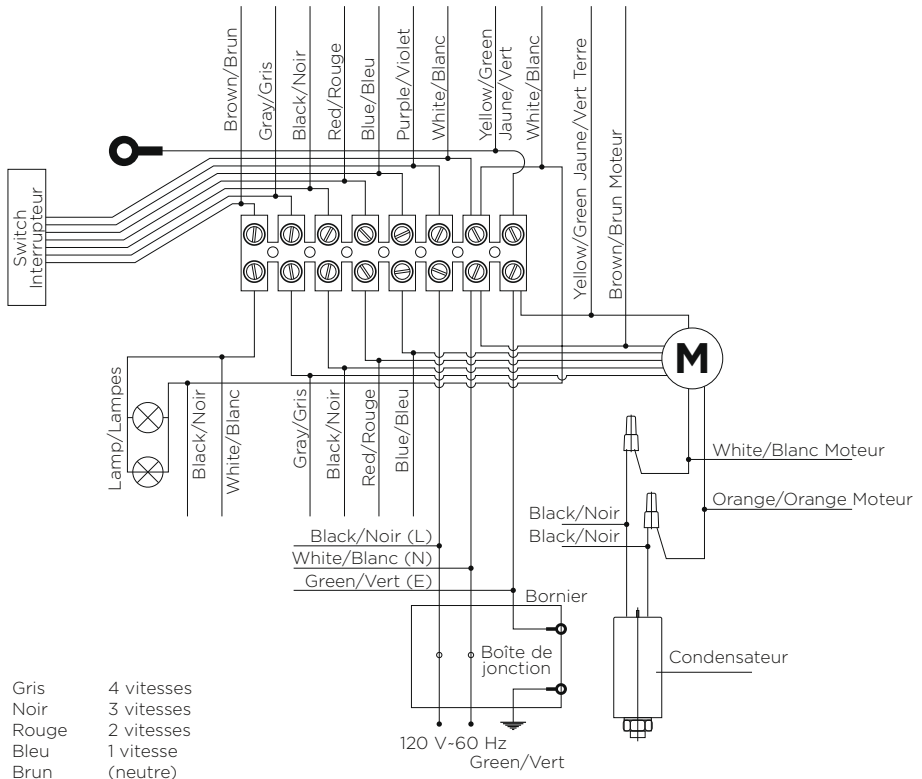
# INSTRUCTIONS D'INSTALLATION

## MISE EN GARDE!

Le câblage électrique doit être réalisé par une ou plusieurs personne(s) qualifiée(s), en conformité avec tous les codes et toutes les normes applicables, en veillant à ce que l'appareil soit mis à la terre.

### ⑤ Raccordement électrique

- Acheminez trois fils, deux pour l'alimentation et un pour la mise à la terre, du boîtier de raccordement d'alimentation sur la hotte de ventilation à un point de raccordement d'alimentation situé près de l'emplacement d'installation.
- Ouvrez le boîtier de raccordement d'alimentation sur la hotte de ventilation et fixez le conducteur d'alimentation à l'aide d'un serre-câble homologué cULus (non compris).
- Connectez les conducteurs d'alimentation aux conducteurs de la hotte de ventilation, le noir au noir et le blanc au blanc.
- Connectez le fil de mise à la terre (vert ou dénudé) au conducteur de mise à la terre (vert) du boîtier de raccordement d'alimentation de la hotte de ventilation.
- Fixez tous les raccordements à l'aide de capuchons de connexion homologués cULus.
- Réinstallez le couvercle du boîtier de raccordement d'alimentation.

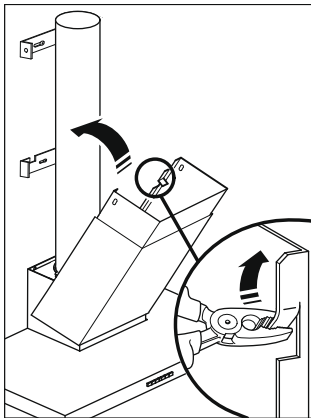
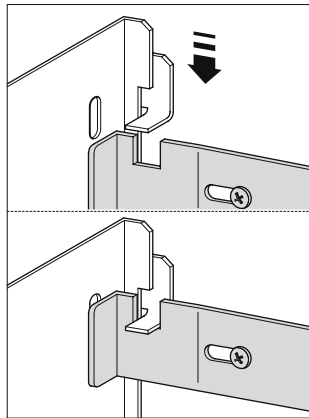
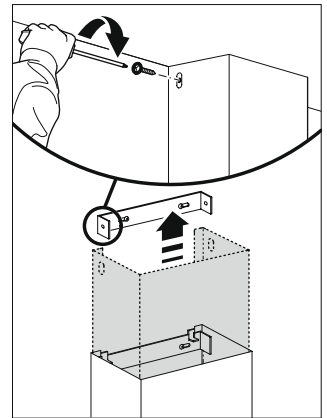


**⑥ Fixez le conduit**

- Fixez le conduit à l'adaptateur de conduit à l'aide de ruban adhésif en toile d'aluminium, de manière à évacuer l'air vers l'extérieur.

**⑦ Fixez la cheminée**

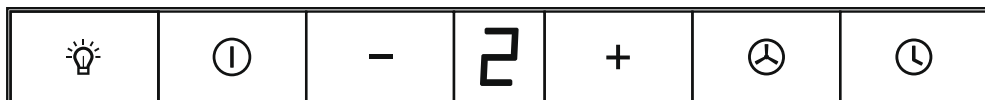
- Pliez les languettes sur la cheminée (**A**).
- Placez la cheminée autour du châssis de la hotte de ventilation, puis suspendez-la sur le support de cheminée (**B**).
- Installez la cheminée supérieure et fixez-la au support de cheminée supérieure à l'aide des vis de 1/16 po (10 mm) (**C**).

**A****B****C****⑧ Retirez l'emballage**








- Retirez tous les matériaux d'emballage et toutes les enveloppes de protection.

# INSTRUCTIONS D'UTILISATION

## Panneau de commande tactile



### FONCTIONNALITÉS DU PANNEAU DE COMMANDE

	Lampes	Permet d'allumer ou éteindre les lampes.
	Mise en MARCHÉ/ ARRÊT	Permet de mettre en marche ou d'arrêter la hotte de ventilation. Le ventilateur s'active automatiquement pour fonctionner au niveau 1.
	Réduction de la vitesse du ventilateur	Permet de régler la vitesse du ventilateur à des niveaux de 1 à 4, 1 étant le réglage le moins rapide.
	Indicateur de vitesse du ventilateur	L'icône de niveau de vitesse du ventilateur s'allume en rouge en indiquant la vitesse actuelle.
	Augmentation de la vitesse du ventilateur	Permet de régler la vitesse du ventilateur à des niveaux de 1 à 4, 4 étant le réglage le plus rapide.
	Vitesse maximale	Permet de mettre en marche le ventilateur directement à la vitesse de ventilateur maximale.
	Minuterie	Permet d'activer la minuterie. Le témoin de vitesse du ventilateur clignotera et le ventilateur fonctionnera pendant 5 minutes à la vitesse actuelle, puis à chacune des vitesses inférieures jusqu'à l'arrêt (le ventilateur s'arrêtera et le témoin s'éteindra). Pour annuler la minuterie, appuyez une fois sur la touche de minuterie.

Remarque : pour une efficacité optimale, il est recommandé de mettre en marche la hotte de ventilation avant de débiter la cuisson.

### **IMPORTANT!**

**La hotte de ventilation pourrait cesser de fonctionner en cas de décharge électrostatique (par ex. : éclair). Interrompez l'alimentation électrique à la hotte de ventilation, puis rétablissez-la après une minute.**

## MISE EN GARDE!

Débranchez ou déconnectez l'appareil de l'alimentation électrique avant de procéder à l'entretien ou au nettoyage.

## IMPORTANT!

- N'utilisez jamais de nettoyants abrasifs ou à base d'huile.
- Portez des gants pour vous protéger des rebords tranchants.

### Entretien

La hotte de ventilation doit être nettoyée régulièrement à l'aide d'un détergent liquide doux et d'un chiffon doux et propre pour éviter l'accumulation de dépôts de graisse. Évitez d'utiliser des produits chimiques corrosifs, des produits de nettoyage abrasifs, des brosses dures et des tampons de laine d'acier. Les dépôts de graisse sont corrosifs et peuvent endommager votre hotte de ventilation.

Remarque : dans les régions où l'humidité est élevée ou les environnements côtiers, le nettoyage doit être effectué plus fréquemment.

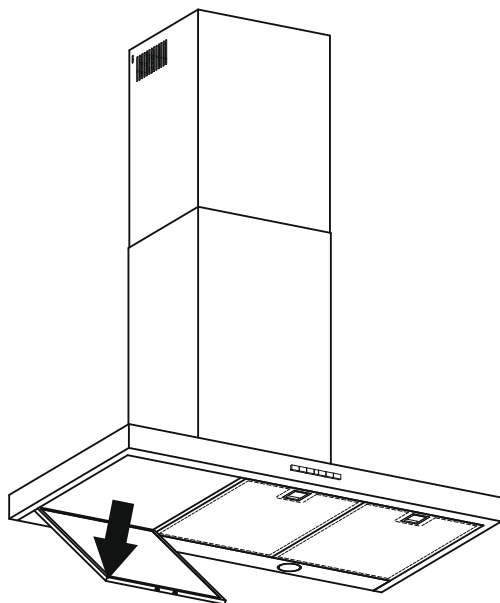
### Filtres en aluminium

- Selon la fréquence d'utilisation, et au moins une fois par mois, vous devez retirer les filtres en aluminium et les nettoyer avec de l'eau savonneuse et chaude ou dans un lave-vaisselle.
- Si vous les lavez au lave-vaisselle, vous devez placer les filtres dans une position verticale pour éviter que des aliments se déposent sur ceux-ci.
- Après le rinçage et le séchage, réinstallez les filtres.

Remarque : une certaine décoloration pourrait se produire sur les cadres.

#### Retrait des filtres en aluminium :

- ① Tirez sur le loquet afin d'incliner le filtre vers le bas jusqu'à ce qu'il se désengage des supports.
- ② Suivez ces instructions dans l'ordre inverse pour réinstaller les filtres.



### MISE EN GARDE!

**Avant de remplacer une ampoule, laissez l'ampoule refroidir et assurez-vous que l'alimentation de la hotte de ventilation est interrompue. Utilisez de nouvelles ampoules correspondant aux valeurs indiquées sur la plaque signalétique de la hotte de ventilation.**

### Filtres à charbon - pour l'utilisation en mode de recirculation

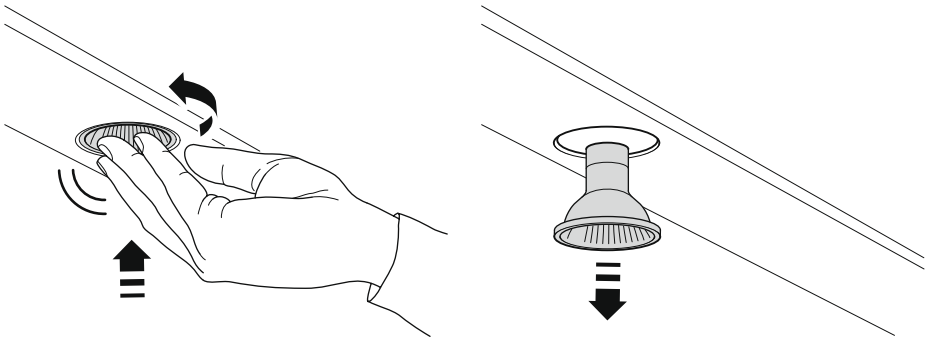
Les filtres à charbon actif sont des éléments jetables conçus pour éliminer la graisse et les odeurs des vapeurs de cuisson avant que l'air ne soit redirigé dans la cuisine. Pour fonctionner adéquatement, les filtres à charbon actif doivent être remplacés périodiquement, au moins une fois tous les trois mois, selon la fréquence d'utilisation de la hotte de ventilation.

Remarque : les filtres à charbon saturés peuvent obstruer la circulation de l'air et ainsi réduire l'efficacité de la hotte de ventilation. En cas d'incendie, les filtres chargés de graisse peuvent être inflammables; par conséquent, il est recommandé de les remplacer régulièrement.

### Remplacement des ampoules

Remarque : les ampoules de rechange ne sont pas couvertes par la garantie.

- ① Retirez les filtres en aluminium.
- ② Poussez légèrement l'ampoule vers le haut, puis tournez-la dans le sens contraire des aiguilles d'une montre pour la retirer.
- ③ Remplacez l'ampoule par une nouvelle ampoule dont la puissance n'est pas supérieure à celle spécifiée.
- ④ Réinstallez les filtres en aluminium.





---

<b>ARTICLE</b>	<b>NUMÉRO DE RÉFÉRENCE</b>
Ampoule LED	792579
Filtre en aluminium	792558
Filtre à carbone de recirculation x2	791772
Défecteur de recirculation	792580

---

## GARANTIE LIMITÉE

---

Lorsque vous achetez une nouvelle hotte de ventilation Fisher & Paykel destinée à un usage personnel ou celui d'un consommateur, vous bénéficiez automatiquement d'une garantie limitée de deux ans s'appliquant aux pièces et à la main-d'œuvre pour le service dans les 48 États continentaux des États-Unis, à Hawaï, à Washington DC et au Canada. Les clients de l'Alaska bénéficient de la même garantie limitée, mais ils doivent payer les frais nécessaires pour la livraison du produit à l'atelier de réparation ou le déplacement d'un technicien à leur domicile. Les produits pour l'utilisation au Canada doivent être achetés auprès du réseau de distribution canadien pour assurer la conformité aux réglementations.

Si le produit est installé dans un véhicule à moteur, un bateau ou une installation mobile similaire, vous bénéficiez de la même garantie limitée de deux ans, mais vous devez apporter à vos frais le véhicule, le bateau ou l'installation mobile contenant le produit à l'atelier de réparation ou payer le déplacement du technicien d'entretien à l'endroit où se trouve le produit.

Aucune garantie n'est offerte pour un achat ou une utilisation à des fins commerciales.

### **Fisher & Paykel s'engage à :**

Réparer sans frais encouru par le propriétaire pour le matériel ou la main-d'œuvre, sauf pour certaines exceptions décrites aux présentes, toute pièce s'avérant défectueuse du produit dont le numéro de série figure sur celui-ci. Les clients de l'Alaska doivent payer les frais nécessaires pour la livraison du produit à l'atelier de réparation ou le déplacement d'un technicien à leur domicile. Si le produit est installé dans un véhicule à moteur, un bateau ou une installation mobile similaire, vous devez l'apporter à l'atelier de réparation à vos frais ou payer le déplacement d'un technicien à l'endroit où se trouve le produit. Si nous ne parvenons pas à réparer une pièce défectueuse du produit après un nombre de tentatives raisonnable, nous pourrions à notre discrétion remplacer la pièce ou le produit, ou vous offrir un remboursement complet du prix d'achat du produit (excluant les frais d'installation ou autres coûts).

Cette garantie est valable pour le propriétaire initial et tout propriétaire subséquent du produit pendant la durée de la garantie, s'il est acheté pour une utilisation normale dans un domicile familial simple.

Toutes les réparations couvertes par cette garantie limitée doivent être effectuées par Fisher & Paykel ou un agent de service autorisé pendant les heures d'ouverture normales.

### **Quelle est la durée de cette garantie limitée?**

Notre responsabilité en vertu de cette garantie limitée expire DEUX ANS à partir de la date d'achat du produit par le premier acheteur.

Notre responsabilité en vertu de toute garantie implicite, incluant la garantie implicite de qualité marchande (la garantie non écrite que le produit est adéquat pour une utilisation normale) est limitée à DEUX ANS (ou une période plus longue, si cela est exigé par la loi en vigueur) à partir de la date d'achat du produit par le premier acheteur. Certains États ne permettent pas les limitations de durée de la garantie implicite. Par conséquent, cette limitation pourrait ne pas s'appliquer à vous. Fisher & Paykel honorera toute garantie prévue par la loi dans le pays ou l'État où le produit est vendu.

**Cette garantie limitée ne couvre pas :**

- (A) Les demandes de réparation pour tout problème non lié à une défectuosité du produit. Le coût de la demande de réparation sera facturé s'il se trouve que le problème n'est pas dû à une défectuosité du produit. Par exemple :
  - ① Correction d'une installation inappropriée du produit.
  - ② Explication du fonctionnement du produit.
  - ③ Remplacement des fusibles du domicile, réarmement des disjoncteurs, réparation du câblage électrique ou de la plomberie du domicile et remplacement des ampoules.
  - ④ Réparation des défectuosités causées par l'utilisateur.
  - ⑤ Modification de la configuration du produit.
  - ⑥ Modifications non autorisées du produit.
  - ⑦ Bruits ou vibrations considérés normaux, par exemple, des sons/bruits de ventilateur ou bips d'avertissement.
  - ⑧ Réparation des dommages causés par des animaux nuisibles, par exemple, des rats, cafards, etc.
  - ⑨ Remplacement des ampoules.
- (B) Défectuosités du produit causées par des facteurs autres que :
  - ① Utilisation domestique normale; ou
  - ② Utilisation en conformité avec le guide d'utilisation du produit.
- (C) Défectuosités du produit causées par un accident, la négligence, une utilisation inappropriée, un incendie, une inondation ou une catastrophe naturelle.
- (D) Les frais des réparations effectuées par des réparateurs non autorisés ou les frais associés à la correction de telles réparations non autorisées.
- (E) Les frais de déplacement et frais associés encourus lorsque le produit est installé dans un endroit où l'accès est limité ou restreint (par exemple, frais d'avion et de traversier, régions géographiques isolées).
- (F) L'entretien normal recommandé dans le guide d'utilisation du produit.
- (G) Le remplacement du filtre, sauf en présence de pièces ou matériaux défectueux à l'intérieur de la cartouche du filtre.
- (H) Dommages (y compris les dommages causés par l'eau) provoqués par une installation, un raccordement de plomberie ou un câblage incorrect.

Ce produit a été conçu pour une utilisation dans un environnement domestique normal (résidentiel). Il n'est pas conçu pour une utilisation commerciale (de quelque nature que ce soit). Toute utilisation commerciale entraînera l'annulation de la garantie limitée de ce produit.

En cas de problème d'installation, communiquez avec votre détaillant ou installateur. Il est de votre responsabilité d'assurer des installations électriques, d'évacuation et de raccordement appropriées.

Fisher & Paykel ne sera responsable d'aucun dommage indirect ou accessoire (y compris, sans limitation, le coût de réparation ou de remplacement d'autres biens endommagés si le produit est défectueux ou tout autre coût encouru si le produit est défectueux). Certaines juridictions ne permettent pas l'exclusion ou la limitation de la responsabilité pour les dommages indirects ou accessoires; par conséquent, l'exclusion ou la limitation ci-dessus pourrait ne pas s'appliquer à vous.

# GARANTIE LIMITÉE

---

## Comment obtenir une réparation

Veillez lire votre guide d'utilisation. Si vous avez des questions concernant l'utilisation du produit, souhaitez trouver le nom d'un agent de service autorisé Fisher & Paykel local ou pensez que le produit est défectueux et désirez le faire réparer dans le cadre de cette garantie limitée, veuillez communiquer avec votre détaillant ou nous appeler au numéro suivant :

### États-Unis et Canada

SANS FRAIS **1.888.9.FNP.USA (1.888.936.7872)**

ou utilisez le lien sur cette page : [www.fisherpaykel.com/locator/servicer/](http://www.fisherpaykel.com/locator/servicer/)

Il pourrait vous être demandé de fournir une preuve valable de la date d'achat du produit avant que la réparation soit effectuée dans le cadre de cette garantie limitée.

## Aucune autre garantie

Cette garantie limitée constitue la totalité de l'accord exclusif existant entre l'acheteur et Fisher & Paykel relativement à toute défectuosité de ce produit; aucune autre garantie expresse n'est offerte ou ne sera offerte au nom de Fisher & Paykel. Aucun de nos employés (ou agents de service autorisés) n'est autorisé à effectuer des ajouts ou apporter des modifications à cette garantie limitée.

Garant : Fisher & Paykel Appliances, Inc.

Si vous avez besoin d'aide au sujet de cette garantie limitée ou devez faire une demande en vertu de cette garantie, veuillez nous appeler au numéro ci-dessus ou nous écrire à l'adresse suivante :

Fisher & Paykel Appliances, Inc.  
695 Town Center Drive, Suite 180  
Costa Mesa  
CA 92626

Cette garantie limitée vous donne des droits juridiques spécifiques auxquels peuvent s'ajouter d'autres droits qui varient d'un pays et d'une juridiction à l'autre.

Remplir et conserver pour référence ultérieure :

Modèle \_\_\_\_\_

N° de série \_\_\_\_\_

Date d'achat \_\_\_\_\_

Acheteur \_\_\_\_\_

Détaillant \_\_\_\_\_

Banlieue \_\_\_\_\_

Ville \_\_\_\_\_

Pays \_\_\_\_\_







[www.fisherpaykel.com](http://www.fisherpaykel.com)

© Fisher & Paykel Appliances 2017. All rights reserved.

The product specifications in this booklet apply to the specific products and models described at the date of issue. Under our policy of continuous product improvement, these specifications may change at any time. You should therefore check with your Dealer to ensure this booklet correctly describes the product currently available.

© Fisher & Paykel Appliances 2017. Tous droits réservés.

Les caractéristiques de produit présentées dans ce livret s'appliquent aux modèles et produits spécifiques qui y sont décrits à la date de publication. Dans le cadre de notre politique d'amélioration en permanence de nos produits, ces caractéristiques peuvent être modifiées à tout moment. Nous vous recommandons de vérifier auprès de votre détaillant que ce livret décrit le produit actuellement disponible.

**US CA**

104253 D 05.17