

Freestanding French Door Refrigerator Freezer, 36", 20.1 cu ft, Ice

Series 7 | Professional

Stainless Steel

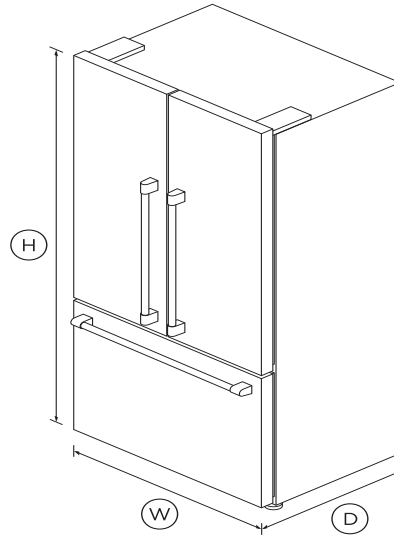


Styled like a refrigerator found in a professional kitchen, with serious storage capacity and stylish stainless steel finish.

- ActiveSmart™ technology helps keep food fresher for longer by constantly maintaining the ideal temperature
- Internal ice maker with boost for busy times
- Spacious bottom freezer with full extension drawer gives easy access to frozen goods

DIMENSIONS

Height	70 ¹⁵ / ₃₂ "
Width	35 ⁷ / ₁₆ "
Depth	27 ³ / ₈ "



FEATURES & BENEFITS

ActiveSmart™ Foodcare

ActiveSmart™ Foodcare learns how you live. It's technology which understands how you use your refrigerator and adjusts temperature, airflow and humidity inside to help keep food fresher for longer.

Design quality

Our refrigerators are designed and built using quality materials. We use real stainless steel on our refrigerators, hidden hinges and solid glass for shelving.

Clever energy

Your refrigerator adapts to daily use by cooling and defrosting only when needed. This means your refrigerator uses the energy it needs without compromising on food care.

Simple storage

This refrigerator is designed to make it simple for you to store, access and remove food. Storage bins give you full access inside when they're pulled open and can be easily removed to clean. Our flexible shelving also gives you more storage options.

Humidity control

Your fruit and veges need different environments. The humidity control slides in each storage bin create a microclimate that helps keep food fresher for longer.

Ice maker

Fresh ice is always available for you in a dedicated freezer bin. Simply turn it off to free up freezer space or during busy times, you can boost ice production by up to 30%.

Easy cleaning

Spill-safe secure glass shelves easily capture any drips or leaks.

SPECIFICATIONS

Accessories

Contemporary round handle kit	25377
Matching Replacement Water	836848

Capacity

Freezer	5.5cu ft
Refrigerator	14.6cu ft
Total gross capacity	20.1cu ft

Consumption

Energy star rating	•
--------------------	---

Energy usage **532kWh/year**

Freezer features

- Automatic ice maker •
- Bottle chill •
- Door alarm •
- Fast freeze •
- Ice Boost •
- Ice bin and scoop •
- LED lighting •
- Large plastic bin •
- Small plastic bins **2**

Performance

- ActiveSmart™ technology •
- Adaptive defrost •
- Frost free freezer •
- Humidity control system •
- Sabbath mode •

Power Requirements

Rated current **10A**
 Supply frequency **60Hz**
 Supply voltage **115V**

Product dimensions

Depth **27 ³/₈ "**
 Height **70 ¹⁵/₃₂ "**
 Width **35 ⁷/₁₆ "**



Refrigerator features

- Adjustable door shelves **6**
- Adjustable glass shelves **3**
- Covered door shelves **2**
- Deli storage bins **2**
- Door alarm •
- Fruit and vegetable bins **2**
- LED lighting •
- SmartTouch control panel •
- Soft close doors •
- Stackable bottle holders **4**

SKU **24447**

The product dimensions and specifications in this page apply to the specific product and model. Under our policy of continuous improvement, these dimensions and specifications may change at any time. You should therefore check with Fisher & Paykel's Customer Care Centre to ensure this page correctly describes the model currently available. © Fisher & Paykel Appliances Ltd 2019.

Other product downloads available at fisherpaykel.com

-  [User Guide](#)
-  [Service & Warranty Booklet](#)
-  [Installation Guide](#)
-  [Installation Guide \(Quick Reference\)](#)
-  [Resources \(zip\)](#)



A PEACE OF MIND SALE

24 Hours 7 Days a Week Customer Support

T 1300 650 590 W www.fisherpaykel.com