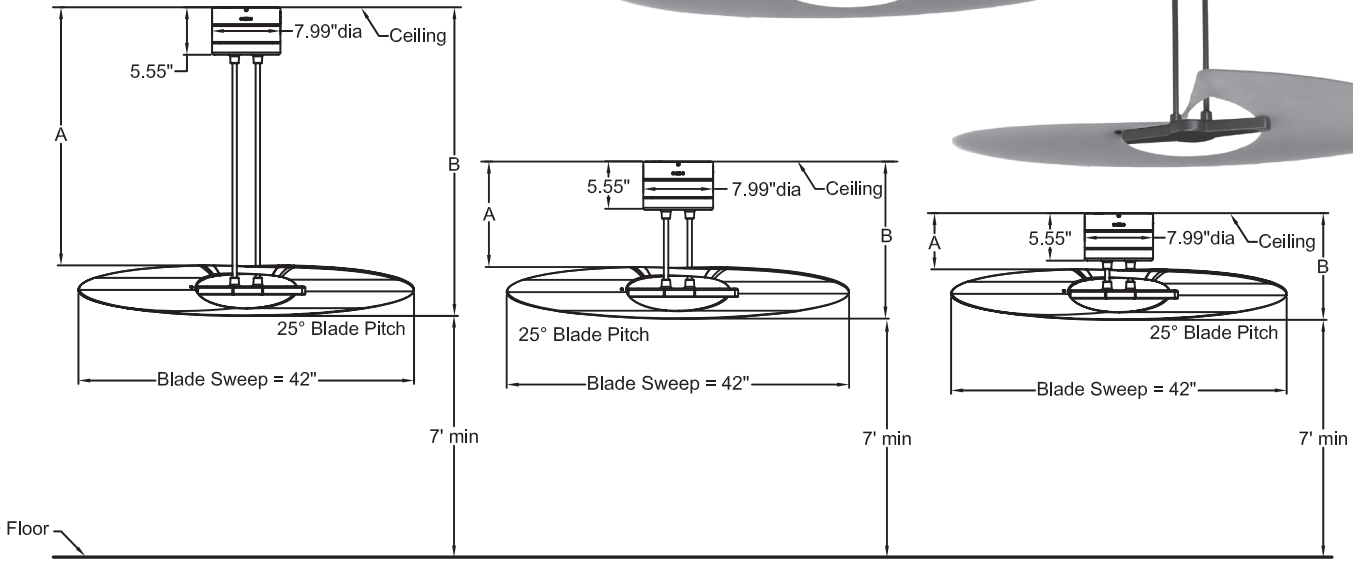
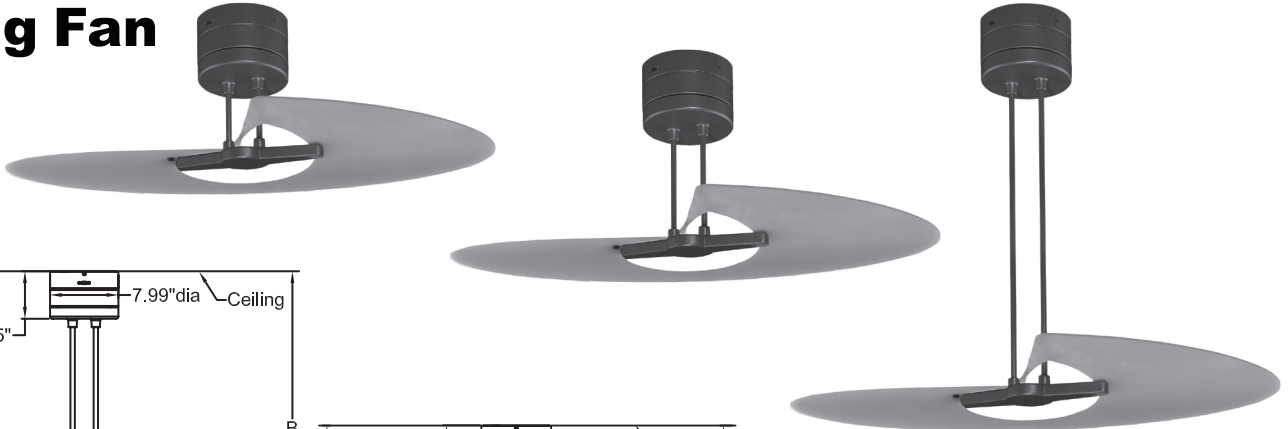


MAREA™

FP8026** Ceiling Fan



Net Hanging Weight: 25.13 lbs

INSTALLATION REQUIREMENTS:

Fan must be attached to a securely anchored electrical junction box capable of withstanding a load of at least 50 lbs.

ELECTRICAL REQUIREMENTS:

Requires a grounded electrical supply line of 120 volts AC, 60 Hz, 15 amp circuit.

MOTOR SPECS:

153 x 25 motor is designed for optimal performance with this fan.

FAN SPEEDS:

High—105 rpm; Med—75 rpm; Low—56 rpm.

BLADES:

Acrylic Blade included.

CONTROL OPTIONS:

TR33 hand-held remote control is included. Push button remote control has 3 fan speeds and off button. Instructions are provided with each control.

DOWNROD OPTIONS:

Fan comes with 3 sets of double (4", 10" and 28") support rods included. Call technical support for more information.

LOCATION USE:

Fan is rated for dry locations only.

	A	B
Fan w/4" Support rods	6.09"	12.00"
Fan w/10" Support rods	12.09"	18.00"
Fan w/28" Support rods	30.09"	36.00"

Available Finishes		
Fan / Housing Assembly		Blades
OB	Oil-rubbed Bronze	Amber Frosted
SN	Satin Nickel	White Frosted

Airflow / Energy Efficiency Info (120V)					
Fan Speed	Max RPM	CFM	CFM / Watts	Amps	Watts
High	105	3151	67	0.40	47.3
Med	75	1914	77	0.29	25
Low	56	1306	95	0.21	13.7