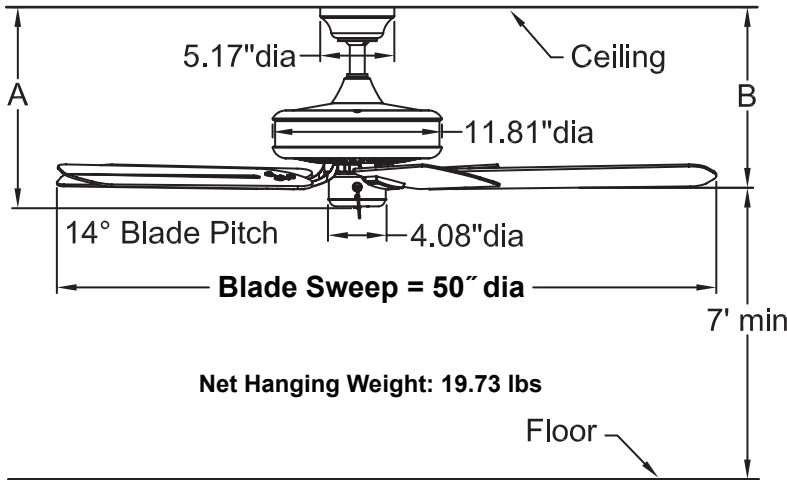




**EDGEWOOD® SERIES**

**TF910\*\*  
Wet Location Fan**



	<b>A</b>	<b>B</b>
Fan w/4.5" downrod	14.02"	12.59"
Fan w/12" downrod	21.52"	20.09"
Fan w/18" downrod	27.52"	26.09"
Fan w/24" downrod	33.52"	32.09"
Fan w/36" downrod	45.52"	44.09"
Fan w/48" downrod	57.52"	56.09"
Fan w/60" downrod	69.52"	68.09"
Fan w/72" downrod	81.52"	80.09"

**INSTALLATION REQUIREMENTS:**

Fan must be attached to a securely anchored electrical junction box capable of withstanding a load of at least 50 lbs.

**ELECTRICAL REQUIREMENTS:**

Requires a grounded electrical supply line of 120 volts AC, 60 Hz, 15 amp circuit.

**MOTOR SPECS:**

188 x 15 motor is designed for optimal performance with this fan. Fan is Energy Star Rated. 220 VAC, 50 Hz export version available.

**BLADES:**

A set of five 21" all-weather composite traditional blades is included.

**CONTROL OPTIONS:**

Optional CW1, CW1SW, CW2, CW5 and CWRL4 wall controls and CRL4WH and CRL8TS remote controls (with receiver units) are available—sold separately. Instructions are provided with each control.

**LIGHTING OPTIONS:**

Optional lighting fitters and light kits are available. See our catalog or visit [www.fanimation.com](http://www.fanimation.com) for available lighting options.

**DOWNROD OPTIONS:**

Fan comes with 1" dia. x 4.5" long downrod. Optional downrods available in 12", 18", 24", 36", 48", 60", and 72" lengths. A downrod coupler is available for installations requiring a downrod longer than 72". Fan can be mounted on a sloped ceiling up to 30°. Call technical support for more information.

**LOCATION USE:**

Fan rated for dry, damp and wet locations.

<b>Available Finishes</b>		
<b>Fan / Housing Assembly</b>		<b>Blades - All-weather</b>
AZ	Aged bronze	Dark cherry
SN	Satin nickel	Mahogany
WH	White	White

<b>Airflow / Energy Efficiency Info (120V)</b>					
Fan Speed	Max RPM	CFM	CFM / Watts	Amps	Watts
High	183	5461	102	0.45	53.7
Med	114	3483	153	0.29	22.7
Low	60	1824	231	0.17	7.9