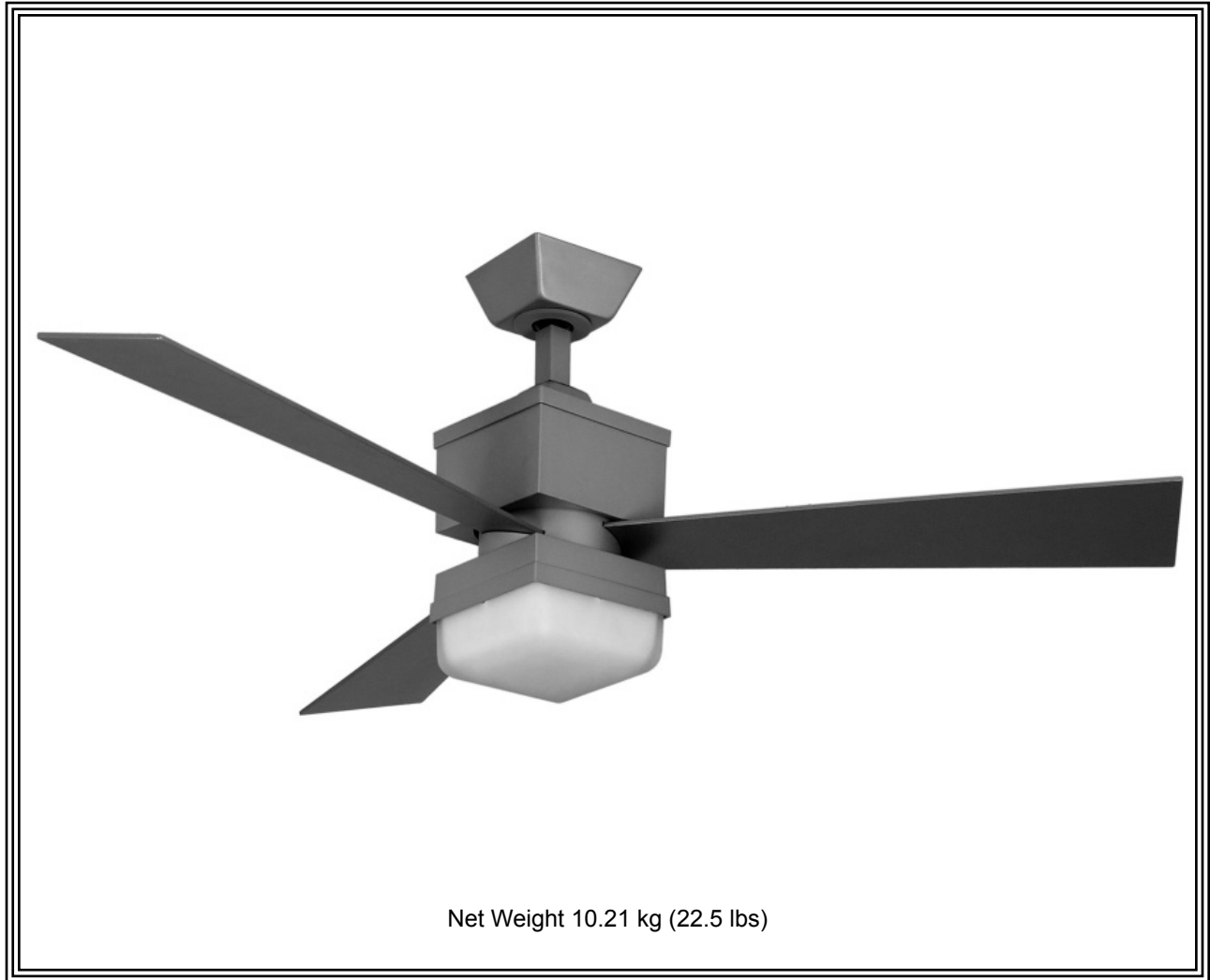


The Kubix™

Ceiling Fan



Model No. FP4420**

OWNER'S MANUAL
READ AND SAVE THESE INSTRUCTIONS



Important Safety Instructions

WARNING: To avoid fire, shock and serious personal injury, follow these instructions.

1. Read your owner's manual and safety information before installing your new fan. Review the accompanying assembly diagrams.
2. Before servicing or cleaning unit, switch power off at service panel and lock service panel disconnecting means to prevent power from being switched on accidentally. When the service disconnecting means cannot be locked, securely fasten a warning device, such as a tag, to the service panel.
3. Be careful of the fan and blades when cleaning, painting, or working near the fan. Always turn off the power to the ceiling fan before servicing.
4. Do not insert anything into the fan blades while the fan is operating.
5. Do not operate reversing switch until fan blades have come to a complete stop.

Additional Safety Instructions

1. To avoid possible shock, be sure electricity is turned off at the fuse box before wiring, and do not operate fan without blades.
2. All wiring and installation procedures must satisfy National Electrical Codes (ANSI/ NFPA 70-1999) and Local Codes. The ceiling fan must be grounded as a precaution against possible electrical shock. Electrical installation should be made or approved by a licensed electrician.
3. The fan base must be securely mounted and capable of reliably supporting at least 50 lbs. (fan and accessories not to exceed 50 lbs. or 22.7 kgs.). See page 4 of owner's manual for support requirements. Consult a qualified electrician if in doubt.
4. The fan must be mounted with the fan blades at least 7 feet from the floor to prevent accidental contact with the fan blades.
5. Follow the recommended instructions for the proper method of wiring your ceiling fan. If you do not have adequate electrical knowledge or experience, have your fan installed by licensed electrician.
6. Suitable for use with solid-state speed controls.

WARNING: To reduce the risk of fire or electric shock, this fan should only be used with Fan Speed Control Part No. UC7067RC, manufactured by Rhine Electronic Co., Ltd.

WARNING: TO REDUCE THE RISK OF SHOCK, THIS FAN MUST BE INSTALLED WITH AN ISOLATING WALL CONTROL/SWITCH.

WARNING: This product is designed to use only those parts supplied with this product and/or accessories designated specifically for use with this product. Using parts and/or accessories not designated for use with this product could result in personal injury or property damage.

WARNING: To reduce the risk of personal injury, do not bend the blade bracket (flange or blade holder) when installing the brackets, balancing the blades, or cleaning the fan. Do not insert foreign objects in between rotating fan blades.

LIMITED LIFETIME WARRANTY

Extends to the original purchaser of a Fanimation Fan

1. **LIMITED LIFETIME MOTOR WARRANTY** - If any part of your fan motor fails, due to a defect in materials or workmanship during the lifetime of the original purchaser, Fanimation will provide the replacement part free of charge, when the defective fan is returned to our national service center. Proof of purchase is required. Customer shall be responsible for all costs incurred in the removal or reinstallation and shipping of the product for repairs or replacement.
2. **ONE YEAR MOTOR LABOR WARRANTY** - If your fan motor fails at any time within one year from the original purchase, due to defects in materials or workmanship, labor to repair the motor will be provided free of charge at our national service center. Purchaser will be responsible for labor charges after this one-year period. Customer shall be responsible for all costs incurred in the removal or reinstallation and shipping of the product for repairs or replacement.
3. If any other part of your fan fails at any time within one year after original purchase, due to a defect in materials or workmanship, we will repair, or replace, at our option, the defective part free of charge for parts and labor performed at our national service center.
4. Because of varying climate conditions, this warranty does not cover changes in the finish, including rusting, pitting, corroding, tarnishing, or peeling.
5. This warranty is void and does not apply to damage from improper installation, neglect, accident, misuse, exposure to extremes of heat or humidity, or as a result of any modification to the original product.
6. All costs of removal and reinstallation of the fan are the sole responsibility of the owner of the fan and not the store that sold the fan or Fanimation.
7. Fanimation reserves the right to modify or discontinue any product at any time and may substitute any part under this warranty.
8. Under no circumstances may a fan be returned without prior authorization from Fanimation. The receipt of purchase must accompany authorized returns and must be sent freight prepaid to Fanimation. The fan to be returned must be properly packed to avoid damage in transit; Fanimation will not be responsible for any damage resulting from improper packaging.
9. It is understood that any repair or replacement is the exclusive remedy available from Fanimation. There is no other expressed or implied warranty. Fanimation hereby disclaims any and all implied warranties, including, but not limited to those of merchantability and fitness for a particular purpose to the extent permitted by law. Some states do not allow limitations on implied warranties. Fanimation will not be liable for incidental, consequential, or special damages arising out of or in conjunction with product use or performance, except as may otherwise be accorded by law. This warranty gives you special legal rights and you may also have other rights that vary from state to state.
10. A certain amount of wobble is normal and should not be considered a problem or a defect.

Table of Contents

Unpacking Instructions	3	Installing the Downrod Cover Clip	9
Energy Efficient Use of Ceiling Fans	4	Mounting the Fan Blades	9
Electrical and Structural Requirements	4	Installing the Lower Housing Light Kit Assembly	10
How to Assemble Your Ceiling Fan	5	Operating Instructions - C24 Remote Control	12
Hanger Bracket Installation and Fan Alignment	6	Maintenance	12
Final Fan Assembly	7	Blade Cleaning	12
How to Wire Your Ceiling Fan - C24 Remote Control	8	Trouble Shooting	13
Installing the Canopy Housing	8	Parts List	14
		Exploded-View Illustration	15

This Manual is Designed to Make it as Easy as Possible for You to Assemble, Install, Operate, and Maintain Your Ceiling Fan

Tools Needed for Assembly

- One Phillips head screwdriver
- One wire stripper
- One stepladder
- Three wire connectors (supplied)
- One ¼" blade screwdriver

Materials

Wiring outlet box and box connectors must be of type required by local code. The minimum wire would be a 3-conductor (2-wire with ground) of the following size:

Installed Wire Length	Wire Size A.W.G.
Up to 50 ft.	14
50 - 100 ft.	12

NOTE: Place the parts from the loose parts bags in a small container to keep them from being lost. If any parts are missing, contact your local retailer.

⚠ WARNING

Before assembling your ceiling fan, refer to section on proper method of wiring your fan (page 4). If you feel you do not have enough wiring knowledge or experience, have your fan installed by a licensed electrician.

Unpacking Instructions

For your convenience, check-off each step. As each step is completed, place a check mark. This will ensure that all steps have been completed and will be helpful in finding your place should you be interrupted.

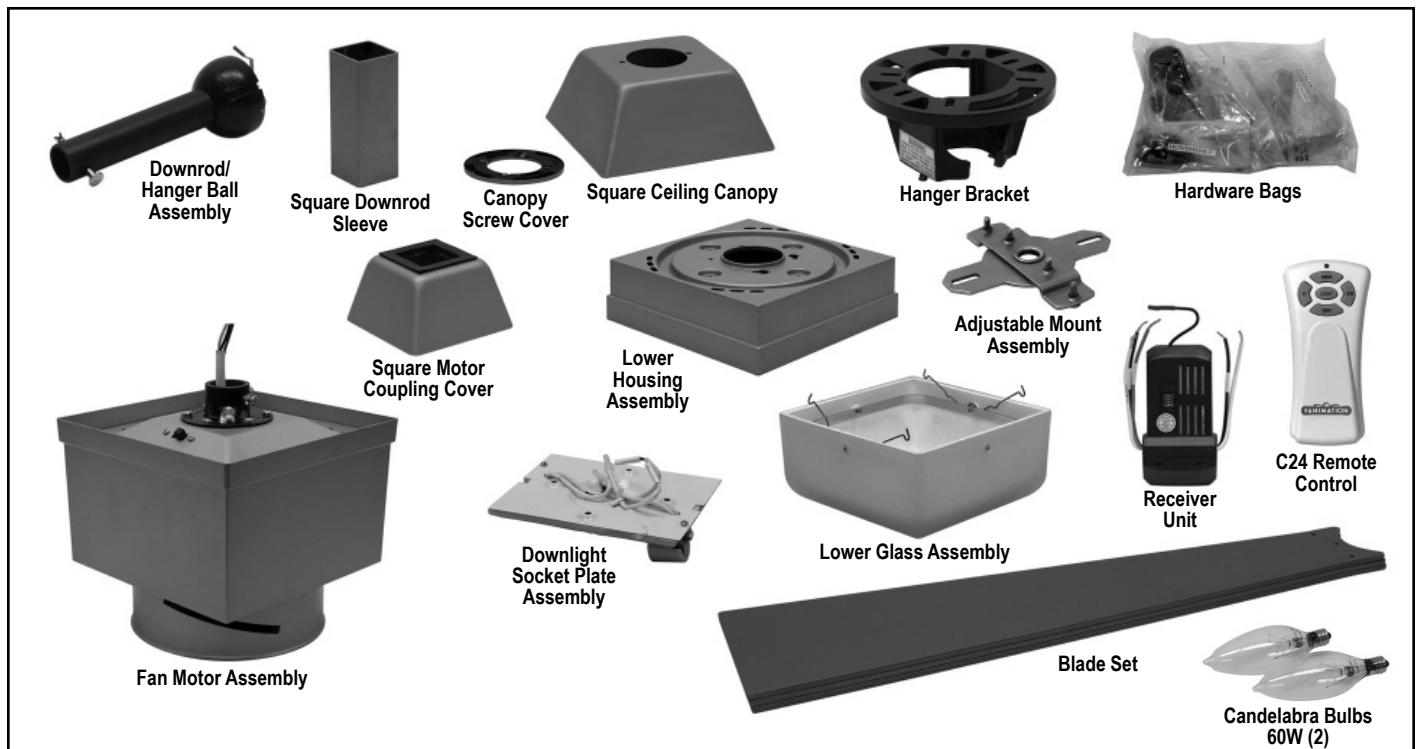
⚠ WARNING

Do not install or use fan if any part is damaged or missing. This product is designed to use only those parts supplied with this product and/or any accessories designated specifically for use with this product by Fanimation. Substitution of parts or accessories not designated for use with this product by Fanimation could result in personal injury or property damage. Contact your retail store for missing or damaged parts.

- Fan Motor Assembly
- Hanger Bracket
- Adjustable Mount Assembly
- Downrod/Hanger Ball Assembly
- Square Downrod Sleeve
- Square Ceiling Canopy
- Canopy Screw Cover
- Square Motor Coupling Cover
- Wood Blades (3)
- Downlight Socket Plate Assembly
- Two 60W Candelabra Bulbs
- Lower Housing Assembly
- Lower Glass Assembly
- C24 Remote Control
- Receiver Unit
- Hardware bags:
 - 3/16-24 x 15 mm (blade to blade holder) washer-head screws & fiber washers
 - 5/32-32 x 8 mm (downlight assembly to lower housing) pan head screws
 - Phillips screwdriver, 4"
 - Four wire connectors
 - Downrod Cover Clip
 - Balance Kit

1. Check to see that you have received the following parts:

NOTE: If you are uncertain of part description, refer to exploded view illustration. (Figure 1, page 13)



Energy Efficient Use of Ceiling Fans

Ceiling fan performance and energy savings rely heavily on the proper installation and use of the ceiling fan. Here are a few tips to ensure efficient product performance.

Choosing the Appropriate Mounting Location

Ceiling fans should be installed, or mounted, in the middle of the room and at least 7 feet above the floor and 18 inches from the walls. If ceiling height allows, install the fan 8 - 9 feet above the floor for optimal airflow. Consult your Fanimation Retailer for optional mounting accessories.

Turn Off When Not in the Room

Ceiling fans cool people, not rooms. If the room is unoccupied, turn off the ceiling fan to save energy.

Using the Ceiling Fan Year Round

Summer Season: Use the ceiling fan in the counter-clockwise direction. The airflow produced by the ceiling fan creates a wind-chill effect, making you "feel" cooler. Select a fan speed that provides a comfortable breeze, lower speeds consume less energy.

Winter Season: Reverse the motor and operate the ceiling fan at low speed in the clockwise direction. This produces a gentle updraft, which forces warm air near the ceiling down into the occupied space. Remember to adjust your thermostat when using your ceiling fan - additional energy and dollar savings could be realized with this simple step!

Electrical and Structural Requirements

Your new ceiling fan will require a grounded electrical supply line of 120 volts AC, 60 Hz, 15 amp circuit. The outlet box must be securely anchored and capable of withstanding a load of at least 50 lbs. **Figure 1** depicts different structural configurations that may be used for mounting the outlet box.

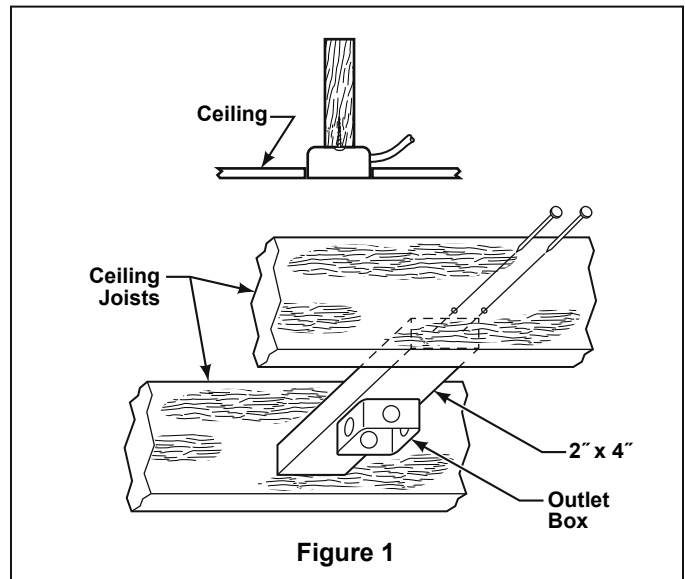
▲ WARNING

To reduce the risk of fire, electrical shock, or personal injury, mount fan to outlet box marked acceptable for fan support of 22.7 kg (50 lbs) or less. Use screws supplied with outlet box. Most outlet boxes commonly used for support of light fixtures are not acceptable for fan support and may need to be replaced. Consult a qualified electrician if in doubt.

If your fan is to replace an existing light fixture, turn electricity off at the main fuse box at this time and remove the existing light fixture.

▲ WARNING

Turning off wall switch is not sufficient. To avoid possible electrical shock, be sure electricity is turned off at the main fuse box before wiring. All wiring must be in accordance with National and Local codes and the ceiling fan must be properly grounded as a precaution against possible electrical shock.



▲ WARNING

To avoid fire or shock, follow all wiring instructions carefully. Any electrical work not described in these instructions should be done or approved by a licensed electrician.

How to Assemble Your Ceiling Fan

1. Remove the Hanger Ball by loosening the setscrew in the Hanger Ball until the ball falls freely down the Downrod. (Figure 1) Remove the Pin from the Downrod, then remove the Hanger Ball. Retain the Pin and Hanger Ball for reinstallation in Step 4 (Figure 4).

2. The fan comes with blue, black, and white 80" wires. Separate and untwist the three wires. Route the wires through the Downrod.

NOTE: You will be using either the 6" or the optional longer downrod/square sleeve purchased separately.

3. Loosen the two setscrews in the Downrod Support. Align the Clevis Pin holes in the Downrod with the holes in the Downrod Support. Install the Clevis Pin and secure with the Hairpin Clip. (Figure 2) Be sure to push the straight leg of the hairpin clip through the hole near the end of the clevis pin until the curved portion of the hairpin clip snaps around the clevis pin. The hairpin clip must be properly installed to prevent the clevis pin from working loose. Pull on the Downrod to make sure the clevis pin is properly installed.

4. Route wires through Square Motor Coupling Cover, Square Sleeve, Canopy Screw Cover and through opening in Canopy. Position Canopy Screw Cover and Canopy on fan shown with open side facing up. (Figures 3 & 4)

5. Reinstall the Hanger Ball (Figure 4) on the Downrod as follows. Route the three 80" wires through the Hanger Ball. Position the Pin through the two holes in the Downrod and align the Hanger Ball so the Pin is captured in the groove in the top of the Hanger Ball. Pull the Hanger Ball up tight against the pin. **Securely tighten the setscrew in the Hanger Ball.** A loose setscrew could create fan wobble.

▲ WARNING

It is critical that the clevis pin in the downrod support is properly installed and the setscrews are securely tightened. Failure to verify that the pin and setscrews are properly installed could result in the fan falling.

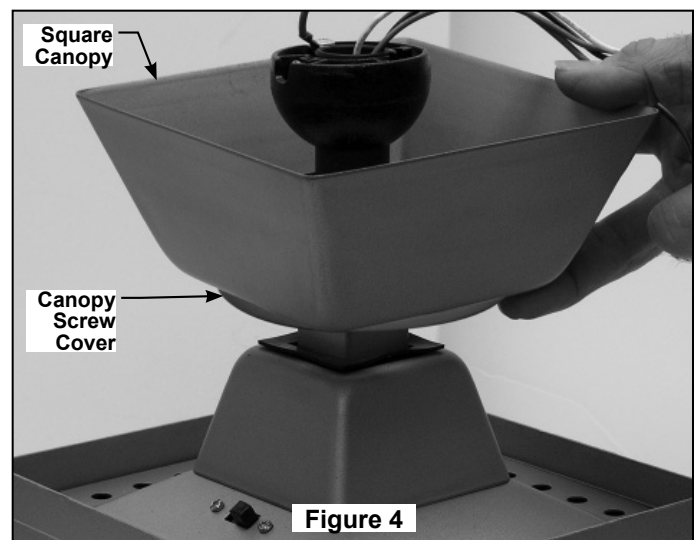
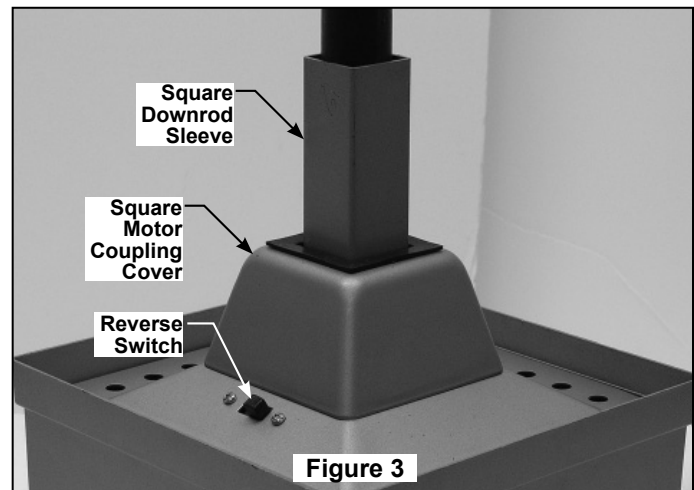
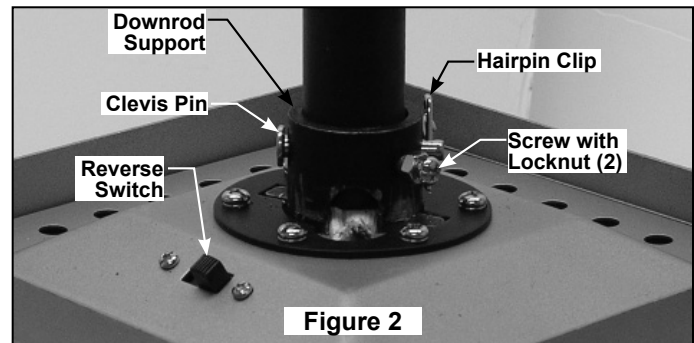
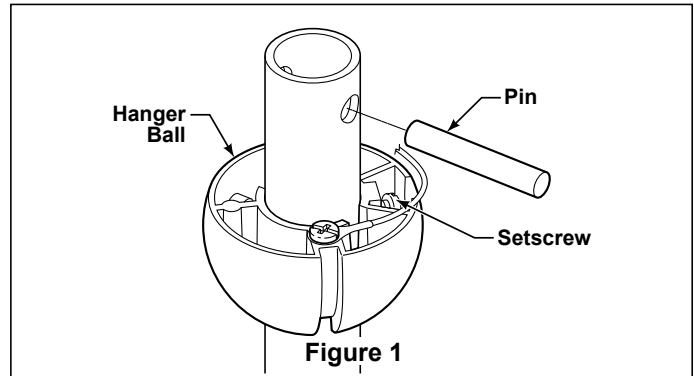
6. While pulling up on the hanger ball, securely tighten the two setscrews with nuts in the downrod support. (Figure 2)

NOTE: The setscrews must be properly installed as described above, or fan-wobble could result.

7. Slide the Square Motor Coupling Cover and Square Sleeve down as shown. (Figure 3)

8. Before installing fan, measure up approximately 6-9 inches above top of Downrod/Hanger Ball Assembly. Cut off excess wire and strip back insulation $\frac{1}{2}$ " from end of wire.

9. You have now completed the upper assembly of your ceiling fan. You can now proceed with the hanging and the electrical wiring of your fan.



Hanger Bracket Installation And Fan Alignment

⚠ WARNING

Failure to follow these Hanger Bracket installation procedures may result in damage to Hanger Bracket and/or to Fan Assembly.

1. Preliminary Hanger Bracket Attachment:

Attach Adjustable Mount Assembly to the junction box with the user supplied junction box screws. (Figure 1)

2. Attach Hanger Bracket with Adjustable Mount Assembly screws. (Figure 2)

3. Hang the Fan Assembly (assembled earlier) into the the hanger bracket. Make sure the groove of the hanger ball is positioned on the tab of the hanger bracket. (Figure 3)

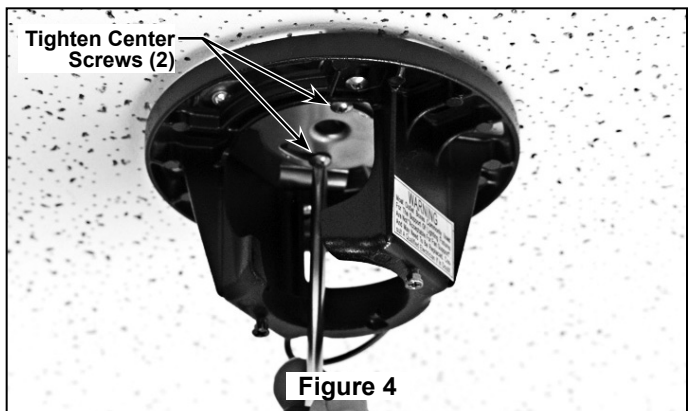
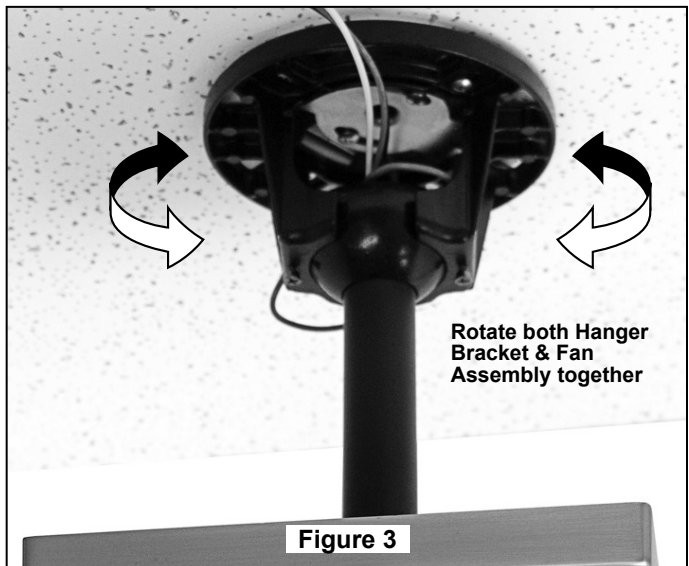
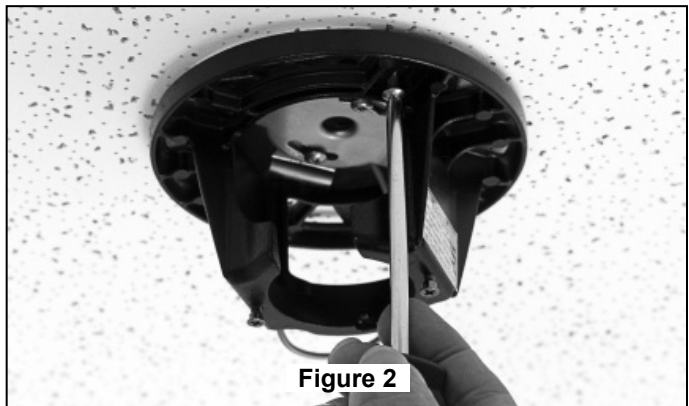
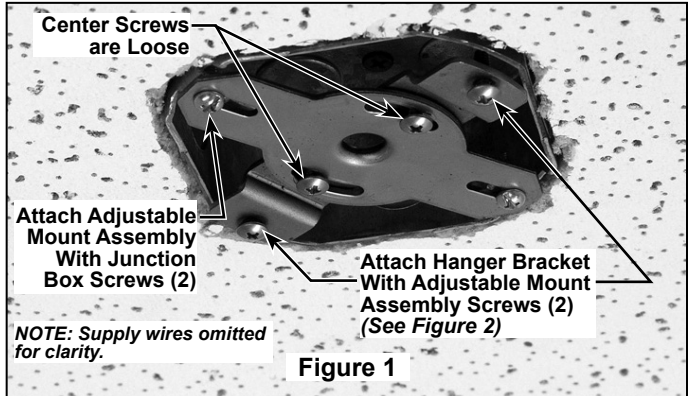
4. Carefully **ROTATE** the Hanger Bracket and Fan Assembly together to orientate the fan in the desired 'squared' position. (Figure 3)

NOTE: If the Hanger Bracket and the Fan Assembly cannot be oriented or 'squared' with the room setting, remove and re-attach Hanger Bracket thru different mounting holes and repeat above steps.

5. Carefully remove the Fan Assembly from the Hanger Bracket.

NOTE: If the Hanger Bracket rotates prior to tightening the center screws, the fan will no longer be positioned properly.

6. NOW, securely and fully tighten the two screws in the center of the Adjustable Mount Assembly while being careful not to allow the Hanger Bracket to rotate. (Figure 4)



Final Fan Assembly

CAUTION

The fan must be hung with at least 7' of clearance from floor to blades (Figure 1)

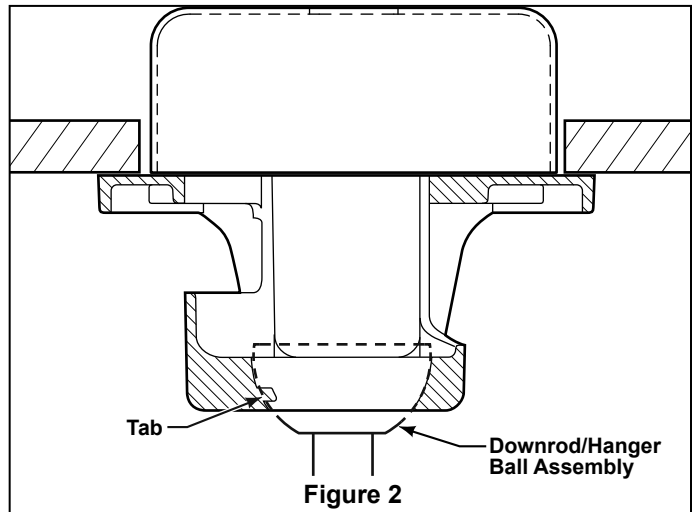
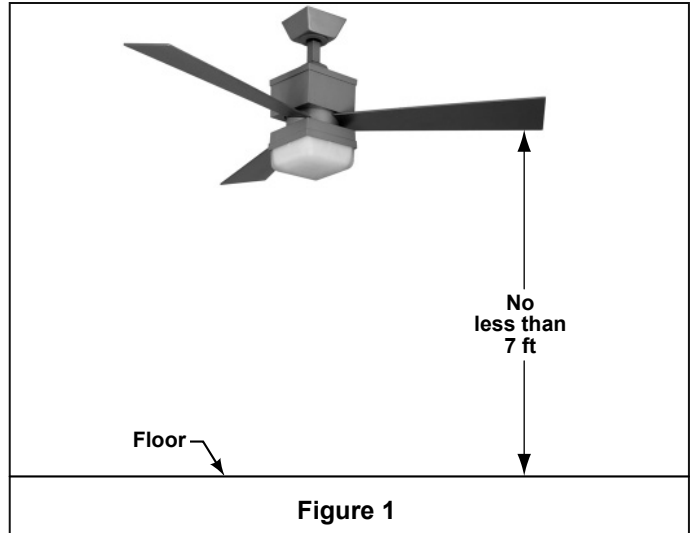
1. Make sure the electrical supply wires, including the hanger bracket grounding wire are pulled through the downrod, between the hanger bracket and the junction box so that electrical connections can be made later.
2. Carefully lift the fan and seat the downrod/hanger ball assembly on the hanger bracket that was just attached to the ceiling joist. Be sure the groove in the ball is lined up with tab on the hanger bracket. (Figure 2)

▲ WARNING

Failure to seat tab in groove could cause damage to electrical wires and possible shock or fire hazard.

▲ WARNING

To avoid possible shock, do not pinch wires between the downrod/hanger ball assembly and the hanger bracket.



How to Wire Your Ceiling Fan - C24 Remote Control

If you feel that you do not have enough electrical wiring knowledge or experience, have your fan installed by a licensed electrician.

NOTE: If fan or supply wires are different colors than indicated, have this unit installed by a qualified electrician.

⚠ WARNING

To avoid possible electrical shock, be sure electricity is turned off at the main fuse box before wiring.
NOTE: If you are not sure if the outlet box is grounded, contact a licensed electrician for advice, as it must be grounded for safe operation.

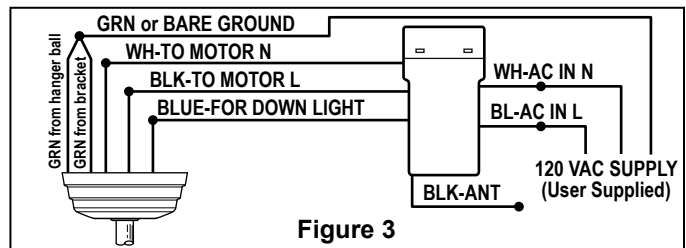
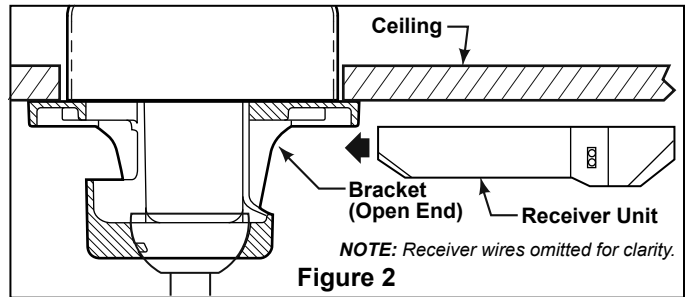
1. Setting the Code: The remote unit has 16 different code combinations. To prevent possible interference from or to other remote units such as garage door openers, car alarm or security systems, simply change the combination code in your transmitter and receiver. To set the code, perform these steps.

- **Transmitter:** remove battery cover. Press firmly below arrow and slide battery cover off. Slide code switches to your choice of up or down position. Factory setting is all up. Do not use this position. With a small screwdriver or ball point pen slide firmly up or down (Figure 1a). Replace battery cover on the transmitter.

- **Receiver:** Slide code switches to the same positions as set on your transmitter (Figure 1b).

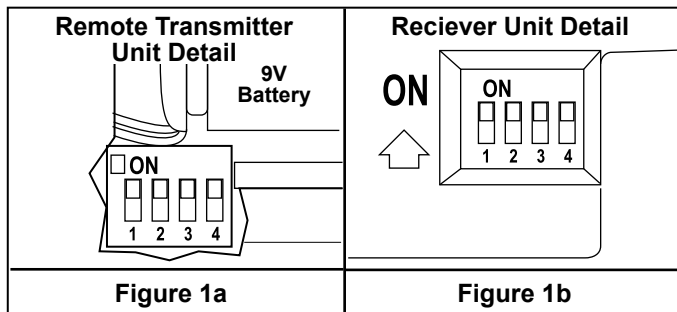
2. Installing Receiver in Hanger Bracket:

- Slide Receiver Unit into the Hanger Bracket (Fig 2).
- Connect wires as indicated: (Figure 3)
 - Green Hanger Bracket and Hanger Ball wires to BARE (ground) wire.



- BLACK Receiver Unit wire (AC IN L) to BLACK supply wire.
- WHITE Receiver Unit wire (AC IN N) to WHITE supply wire.
- WHITE Receiver Unit wire (TO MOTOR N) to WHITE fan wire.
- BLACK Receiver Unit wire (TO MOTOR L) to BLACK fan wire.
- BLUE Receiver Unit wire (FOR DOWN LIGHT) to BLUE light wire.
- Position all connected wires and receiver antenna to allow installation of ceiling canopy.
- To install ceiling canopy, see page 9.

3. After making the wire connections, the wires should be spread apart with the grounded conductor and the equipment-grounding conductor on one side of the outlet box and the ungrounded conductor on the other side of the outlet box.



Installing the Canopy Housing

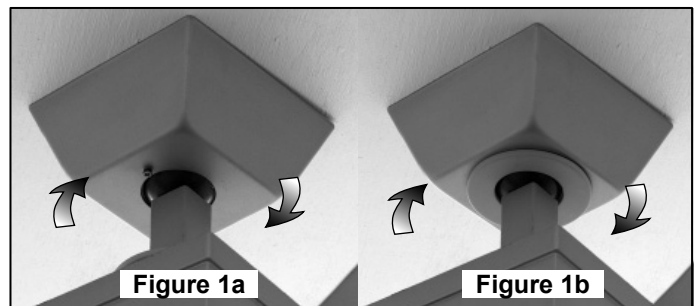
NOTE: This step is applicable **after** the necessary wiring is completed.

⚠ WARNING

To avoid possible fire or shock, make sure that the electrical wires are completely inside the canopy housing and not pinched between the housing and the ceiling.

1. Loosen the two shoulder screws in the Hanger Bracket.

2. Securely attach the Canopy Housing over the shoulder screws (Figure 1a).

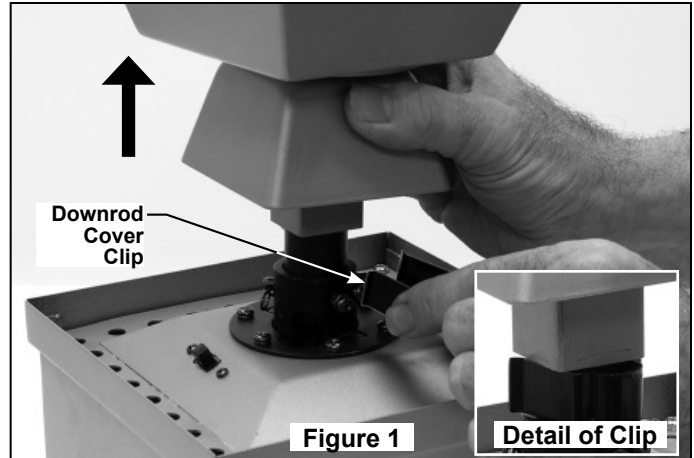


3. Securely attach and tighten the Canopy Screw Cover over the shoulder screws in the Hanger Bracket utilizing the keyslot twist-lock feature (Figure 1b).

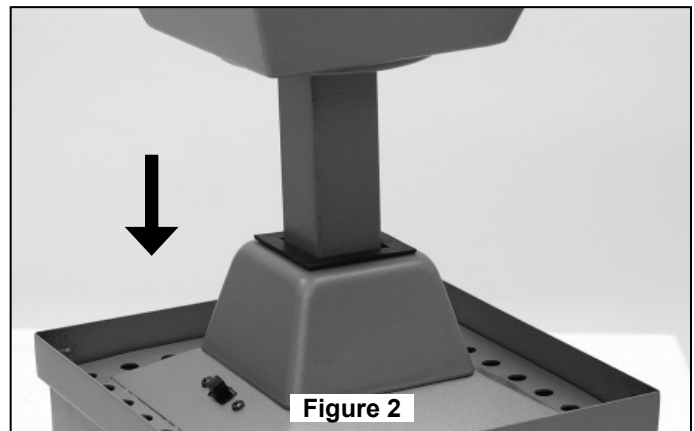
Installing the Downrod Cover Clip

1. After hanging the fan, slide the Square Motor Coupling Cover and Square Sleeve upward to install the Downrod Cover Clip. (Figure 1)

NOTE: The clip must be properly installed as described in Step 1, or square sleeve will not seat properly.



2. Slide the Square Motor Coupling Cover and Square Sleeve down as shown. (Figure 2)



Mounting the Fan Blades

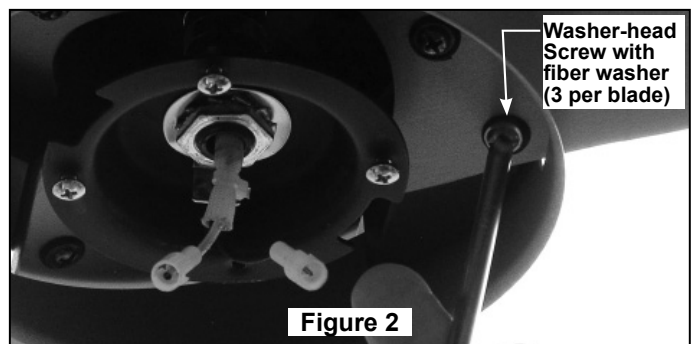
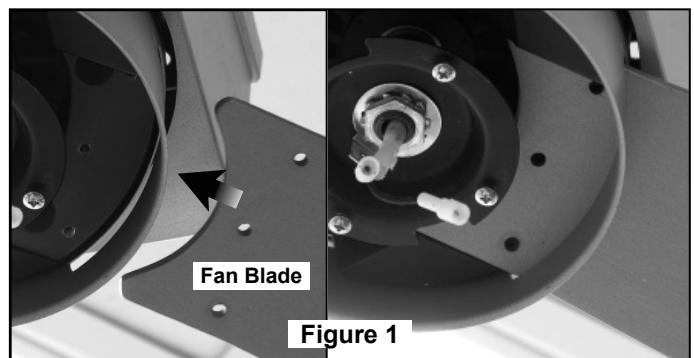
INSTALLATION NOTE

Do not connect fan blades until the fan is completely installed. Installing the fan with blades assembled may result in damage to the fan blades.

⚠ WARNING

To reduce the risk of personal injury, do not bend the blades when installing, balancing the blades or cleaning the fan. Do not insert foreign objects in between the rotating blades.

1. Attach blades to the motor hub using the provided washer head screws and fiber washers. Make sure the screws securing the blades to the motor hub are tight and are properly seated. Do not overtighten. (Figures 1 & 2)

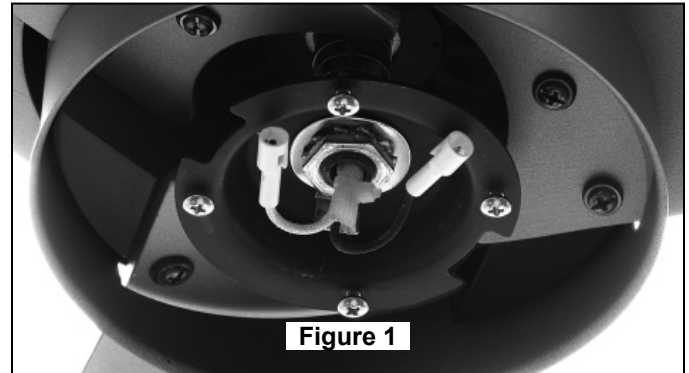


Installing the Lower Housing Light Kit Assembly

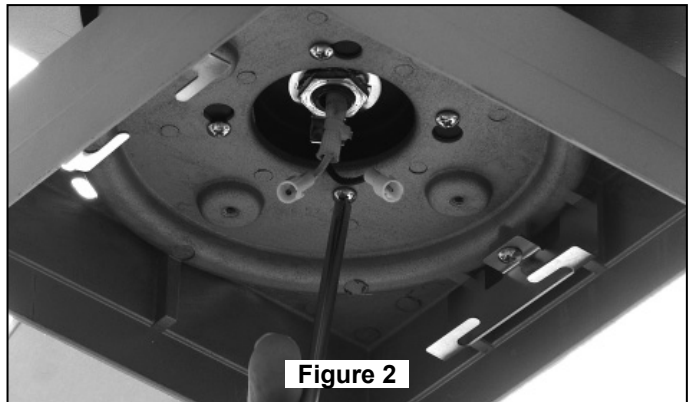
CAUTION

To avoid possible electrical shock, be sure electricity is turned off before installing downlight assembly.

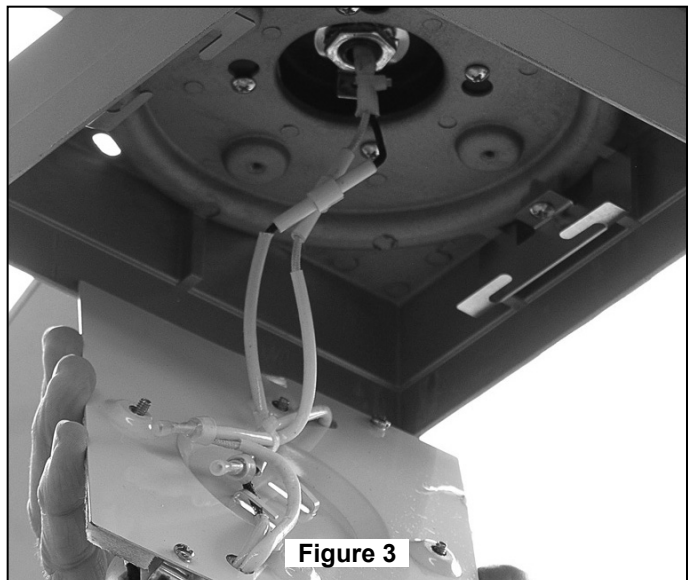
1. Loosen three screws and remove one screw from support flange. (Figure 1).



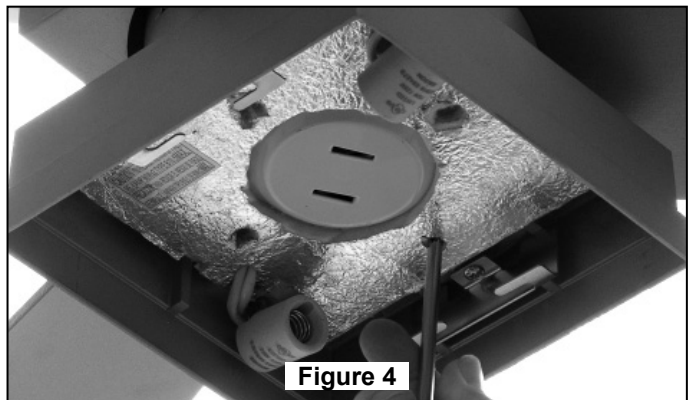
2. Securely attach the Lower Housing Assembly to the Support bracket and tightening four screws. (Figure 2)



3. Securely attach plugs from motor to sockets on Downlight Support Plate Assembly (Figure 3)



4. Securely attach Downlight Support Plate Assembly to the Lower Housing Assembly with four screws provided. (Figure 4)

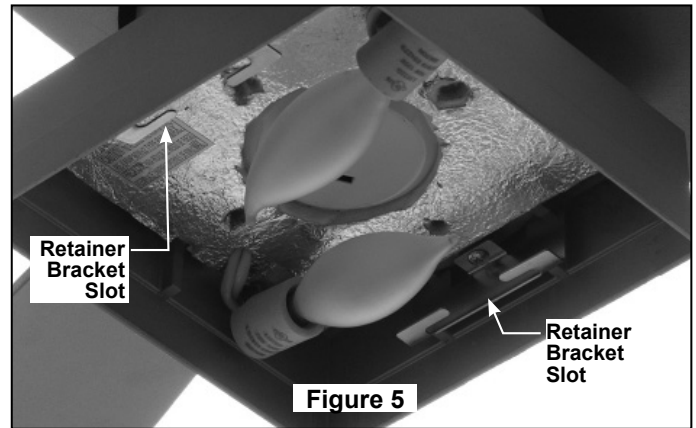


Installing the Lower Housing Light Kit Assembly (cont'd)

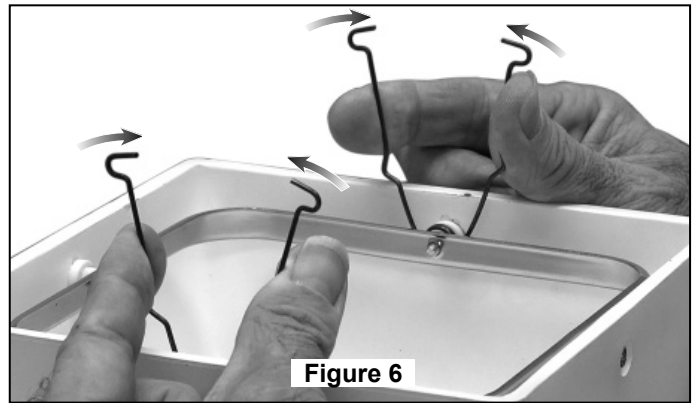
5. Install two Candelabra Bulbs (included - 60 watts max) in each of the sockets on the Downlight Socket Plate Assembly. (Figure 5)

IMPORTANT

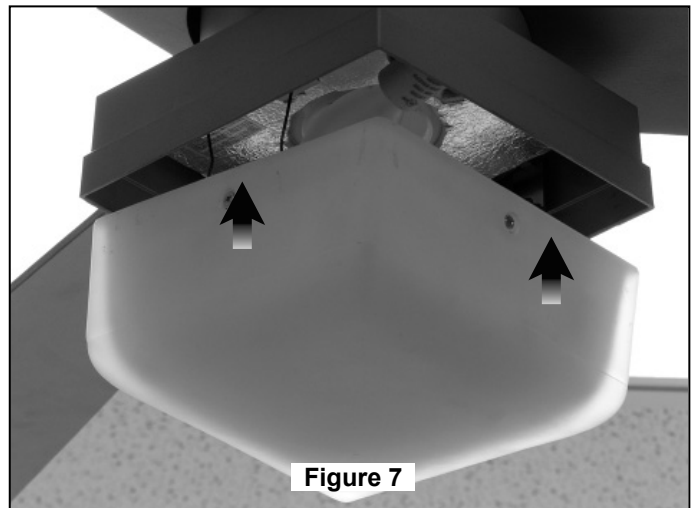
60 watt bulbs are the maximum wattage allowed to safely operate the fan.



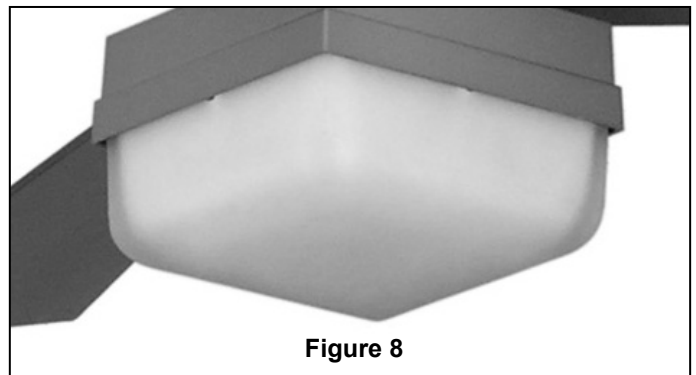
6. Before installing Glass Frame Assembly, carefully 'pinch' both sides of the Glass/Frame Retainer Spring Clips together as shown. (Figure 6)



7. Carefully install the Glass/Frame Retainer Spring Clips into the Retainer Brackets slots. Securely attach the Glass/Frame Assembly by gently guiding into the Lower Housing frame. (Figures 7 & 8)



8. You have now completed the assembly of your ceiling fan. Restore electrical power.



Operating Instructions - C24 Remote Control

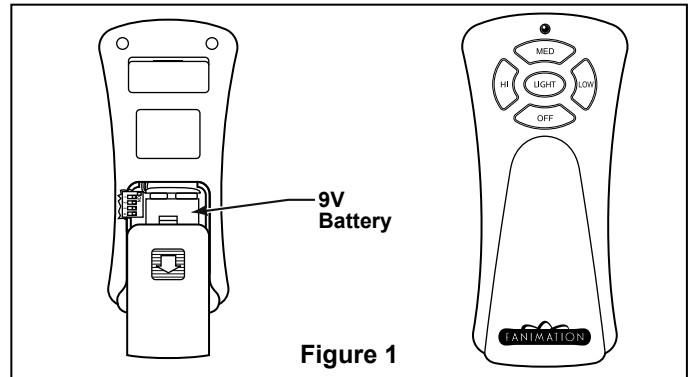
▲ WARNING

Check to see that all connections are tight, including ground, and that no bare wire is visible at the wire connectors, except for the ground wire. Do not operate fan until the blades is in place. Noise and fan damage could result.

NOTE: If airflow is desired in the opposite direction, turn the fan off and wait for the blades to stop turning. Then slide the reverse switch to the opposite position and turn fan on again. The reversing switch is located on top of the fan motor assembly.

1. Operating & Using Remote Transmitter (Figure 1): Install 9 volt battery (If not using for long periods of time, remove battery to prevent damage to transmitter). Store the transmitter away from excess heat or humidity.

- HI Push Button – high fan speed
- MED Push Button – medium fan speed
- LOW Push Button – low fan speed
- OFF Push Button – fan off
- Light Push Button – on/off, hold for infinite light level



Maintenance

Periodic cleaning of your new ceiling fan is the only maintenance that is needed. When cleaning, use only a soft brush or lint free cloth to avoid scratching the finish. Abrasive cleaning agents are not required and should be avoided to prevent damage to finish.

CAUTION

Do not use water when cleaning your ceiling fan. It could damage the motor or the finish and create the possibility of electrical shock.

Blade Cleaning

Periodic light dusting of the blades is recommended. A feather duster will work best.

Avoid using water, cleansers, or harsh rags, which can warp and ruin the finish.

Trouble Shooting

⚠ WARNING

For your own safety turn off power at fuse box or circuit breaker before trouble shooting your fan.

Trouble	Probable Cause	Suggested Remedy
1. FAN WILL NOT START	<ol style="list-style-type: none"> 1. Fuse or circuit breaker blown. 2. Loose power line connections to the fan, or loose switch wire connections in the switch housing. 3. Reversing switch in neutral position. 4. Dead battery in remote control. 	<ol style="list-style-type: none"> 1. Check main and branch circuit fuses or circuit breakers. 2. Check line wire connections to fan and switch wire connections in the switch housings. <p>CAUTION: Make sure main power is turned off !</p> <ol style="list-style-type: none"> 3. Make sure reversing switch position is all the way to one side. 4. Replace with fresh battery.
2. FAN SOUNDS NOISY	<ol style="list-style-type: none"> 1. Blades not attached to fan. 2. Loose screws in motor housing. 3. Screws securing fan blade holders to motor flywheel are loose. 4. Wire connectors inside housing rattling. 5. Motor noise caused by solid state variable speed control. 6. Screws holding blades to blade holders are loose. 7. Lower housing support set screw loose. 	<ol style="list-style-type: none"> 1. Attach blades to fan before operating. 2. Check to make sure all screws in motor housing are snug (not over-tight). 3. Check to make sure the screws which attach the fan blade holders to the motor flywheel are tight. 4. Check to make sure wire connectors in switch housing are not rattling against each other or against the interior wall of the switch housing. <p>CAUTION: Make sure main power is turned off !</p> <ol style="list-style-type: none"> 5. Some fan motors are sensitive to signals from solid-state variable speed controls. Solid-state controls are not recommended, choose an alternative control method. 6. Tighten screws securely. 7. Tighten set screw securely.
3. FAN WOBBLER EXCESSIVELY	<ol style="list-style-type: none"> 1. Setscrew in downrod support is loose. 2. Setscrew in downrod/hanger ball assembly is loose. 3. Screws securing fan blade holders to motor hub are loose. 4. Blade holders not seated properly. 5. Hanger bracket and/or ceiling outlet box is not securely fastened. 6. Fan blades out of balance. 	<ol style="list-style-type: none"> 1. Tighten both setscrews securely in downrod support. 2. Tighten the setscrew in the downrod/hanger ball assembly. 3. Check to be sure screws which attach the fan blade holders to the flywheel are tight. 4. Check to be sure the fan blade holders seat firmly and uniformly to the surface of the motor housing. If holders are seated incorrectly, loosen the screws and retighten. 5. Tighten the hanger bracket screws to the outlet box, and secure outlet box. 6. Balance blades using balance kit provided in hardware bag.
4. NOT ENOUGH AIR MOVEMENT		<ol style="list-style-type: none"> 1. If possible, consider using a longer downrod. For example, use a 12" downrod instead of the 6" downrod that comes with your fan.

Parts List

Model #FP4420**

Ref. #	Description	Part #
1	Adjustable Mount Assembly with Screws (4)	AP442034
2	Hanger Bracket Assembly with Shoulder Screws (2)	AP255BL
3	<i>Downrod/Hanger Ball Assembly Containing:</i>	ADR1-6**
3a	Hanger Ball Assembly	
3b	Downrod	
3c	Hairpin Clip	
3d	Clevis Pin	
4	Square Ceiling Canopy	P442009**
5	Canopy Screw Cover	AP260**
6	Square Downrod Sleeve	P442011**
7	Square Motor Coupling Cover	P442010**
8	Fan Motor Assembly	AMA4420**
9	Lower Housing Assembly	AP442016**
10	Downlight Socket Plate Assembly	AP442020
11	Lower Glass Assembly	AP442005
12	Blade Set (3)	AP442007**
13	Candelabra Bulbs, 60W (2)	
14	Remote Control	C24
15	Receiver Unit	RECAN68
16	<i>Hardware Bag Containing:</i>	HDWFP4420
	Blade Balance Kit (BALKT)	HDWHW4420
	³ / ₃₂ -32 x 8mm Pan Head Screw (4) (Downlight Asm to Lower Hsg)	
	Downrod Cover Clip	
	Wire Connectors (4)	
	<i>Blade Mounting Hardware Bag Containing:</i>	HDWBM4420
	³ / ₁₆ -24 x 15 mm Washer Head Screw (10)	
	Fiber Washer (10)	
	Phillips Screwdriver, 4□	

**Insert FINISH CODES (Refer to fan model number located on downrod support)

Before discarding packaging materials, be certain all parts have been removed

How To Order Parts	
Contact your retail store for repair parts. When ordering repair parts, always give the following information.	<ul style="list-style-type: none"> • Part Number • Part Description • Fan Model Number

The Kubix™ FP4420** Exploded-View

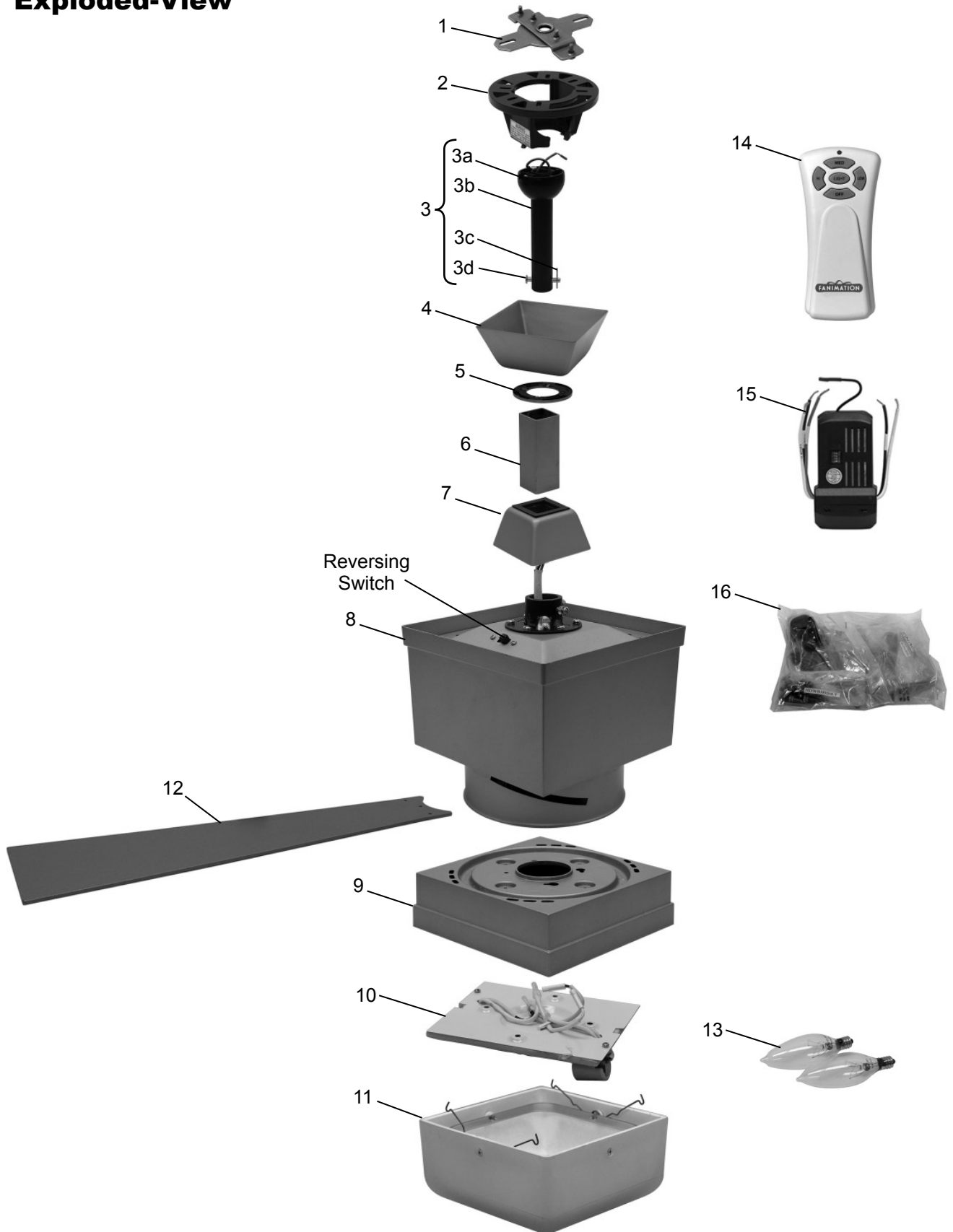


Figure 1

NOTE: The illustration shown is not to scale or its actual configuration may vary



celebrating 25 years

10983 Bennett Parkway

Zionsville, IN 46077

Toll Free (888) 567-2055

FAX (866) 482-5215

Outside U.S. call (317) 733-4113

Visit Our Website www.fanimation.com