

# CW2(C2) Wall Control

## SPECIFICATION and INSTRUCTION SHEET



**DESCRIPTION:** 3 Wire Control One Ceiling Fan & Light, 3 Fan Speed & 3 Light-Slide Control

**ELECTRICAL SPECS:** 120 Volts, 60 Hertz, Max. Fan Load 1.25 amps, Light Rating 190W Incandescent, 4 Wire Installation

**FAN MODELS USED:** most Fanimation fans - see Catalog or visit our website, [www.fanimation.com](http://www.fanimation.com) for more information

## How to Wire and Operate Your CW2(C2) Wall Control

**NOTE:** If fan or supply wires are different colors than indicated, have this unit installed by a qualified electrician.

### 1. Installing Wall Control (Figures 1 & 2):

- With electrical power still disconnected, remove the existing wall plate and switch.
- Set the knob and light switch of the wall control in the off (0) position.
- Make wiring connections with wire nuts as shown in Figure 1.
  - One black wire from wall control unit to black (A.C. power supply).
  - One blue wire from wall control unit to blue (light).
  - One black wire from wall control unit to black wire leading to ceiling outlet box.
  - One green/yellow wire from wall control unit to green ground wire.
- Attach wall control unit to outlet box using the two screws provided. Then, the face plate attaches the wall control. (Figure 2)
- Restore electrical power.

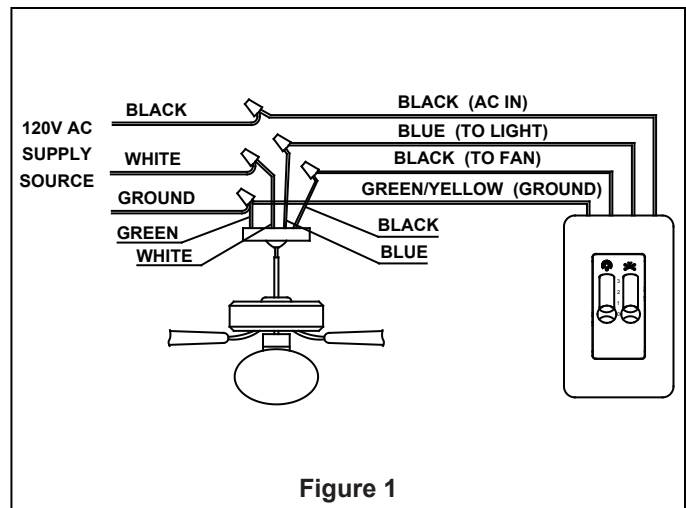


Figure 1

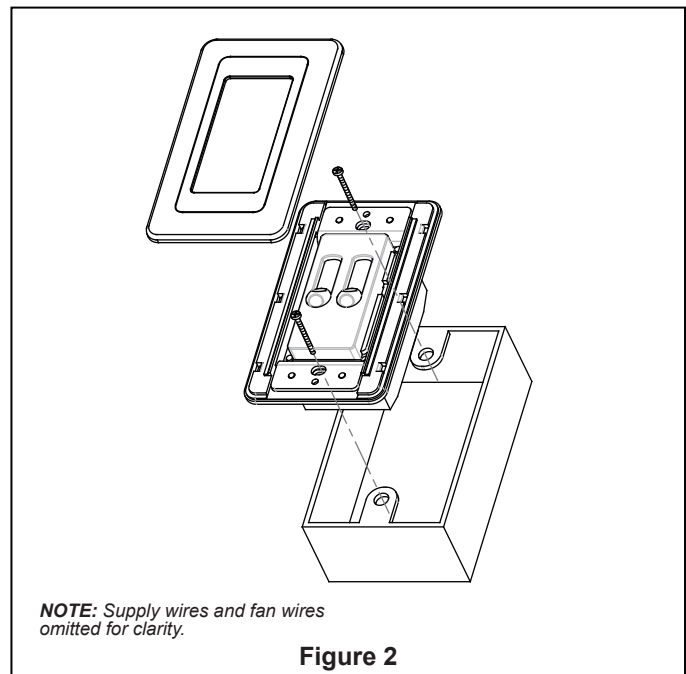


Figure 2

### ⚠ WARNING

To avoid possible fire or shock, make sure that the electrical wires are completely inside the outlet box and not pinched between the wall plate and the wall.

### ⚠ WARNING

Check to see that all connections are tight, including ground, and that no bare wire is visible at the wire connectors, except for the ground wire. Do not operate fan until the blades is in place. Noise and fan damage could result.

### 2. Operating & Using Wall Control:

**NOTE:** Set pull chain to high speed and light kit at power on before using the wall control. You can now use your speed control to select any of the 3-speeds plus OFF.

- |                                 |                                     |
|---------------------------------|-------------------------------------|
| • 3 Slide Switch – low light    | • 3 Slide Switch – low fan speed    |
| • 2 Slide Switch – medium light | • 2 Slide Switch – medium fan speed |
| • 1 Slide Switch – bright light | • 1 Slide Switch – high fan speed   |
| • 0 Slide Switch – light off    | • 0 Slide Switch – fan off          |



10983 Bennett Parkway  
Zionsville, IN 46077  
(888) 567-2055 • FAX (866) 482-5215  
Outside U.S. call (317) 733-4113  
Visit Our Website @ [www.fanimation.com](http://www.fanimation.com)

Copyright 2010 Fanimation  
2010/01