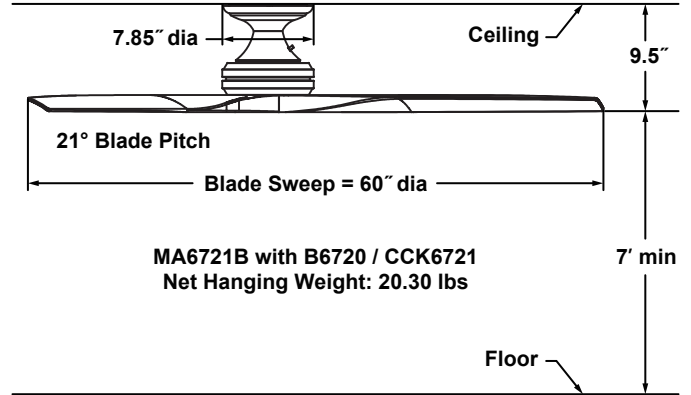
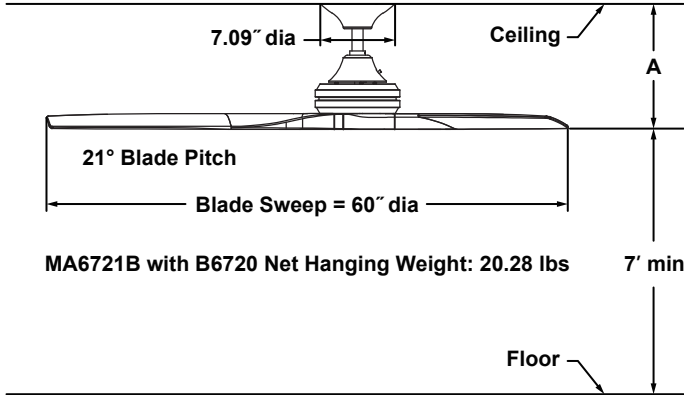


SPITFIRE™
CUSTOM 60



MA6721B** Ceiling Fan



INSTALLATION REQUIREMENTS:

Fan must be attached to a securely anchored electrical junction box capable of withstanding a load of at least 35 lbs.

ELECTRICAL REQUIREMENTS:

Requires a grounded electrical supply line of 120 volts AC, 60 Hz, 15 amp circuit.

MOTOR SPECS:

188 x 25 AC motor is designed for optimal performance with this fan.

BLADE SET:

3 bladed blade sets are available in wood material — all sold separately. See our catalog or visit www.fanimation.com for blade options.

LIGHTING OPTIONS:

LK6721B - One 18-watt dimmable LED.

CONTROL OPTIONS:

TR500 hand-held remote control is included. Push button remote control with variable fan speeds, infinite light levels and off button. Optional CW7, WC1WH, WC2WH, WR500WH, WR501WH and CWRL4 wall controls, CRL4WH hand held remote control and WFR50 WiFi receiver unit are available — sold separately. Instructions are provided with each control.

DOWNROD OPTIONS:

Fan comes with a 1" dia. x 4.5" long downrod (DR1-45). Optional downrods are available in 12", 18", 24", 36", 48", 60" and 72" lengths. A downrod coupler is available for installations requiring a downrod longer than 72". Fan can be mounted on a sloped ceiling up to 19°. Most sloped ceiling installations require a standard 12" downrod or longer downrod. Optional close-to-ceiling kit (CCK6721) is available as well — sold separately. Optional sloped ceiling kits (SCK1-52) are available for up to 42°. Call technical support for more information.

LOCATION USE:

Fan is rated for dry and damp locations. This fan is for room over 400 sq ft.

| | A |
|--------------------|--------|
| Fan w/4.5" downrod | 12.00" |
| Fan w/12" downrod | 19.50" |
| Fan w/18" downrod | 25.50" |
| Fan w/24" downrod | 31.50" |
| Fan w/36" downrod | 43.50" |
| Fan w/48" downrod | 55.50" |
| Fan w/60" downrod | 67.50" |
| Fan w/72" downrod | 79.50" |

| Available Finishes | |
|--------------------|---------------------|
| AGP | Antique Graphite |
| BL | Black |
| BN | Brushed Nickel |
| BS | Brushed Satin Brass |
| DF | Drift Wood |
| DZ | Dark Bronze |
| GR | Matte Greige |
| GZ | Galvanized |
| MW | Matte White |

| Airflow / Energy Efficiency Info (120V) | | | | | |
|---|---------|------|-------------|------|-------|
| Fan Speed | Max RPM | CFM | CFM / Watts | Amps | Watts |
| High | 120 | 4908 | 69 | 0.60 | 71 |
| Med | 80 | 3273 | 101 | 0.41 | 32 |
| Low | 43 | 1693 | 148 | 0.24 | 11 |

| Energy Guide FTC | | | |
|---------------------------|--|-----------------------------------|--------------------------------|
| Power (W _{ave}) | Total Air Delivery (CFM _{ave}) | Estimated Yearly Energy Cost (\$) | Ceiling Fan Efficiency (CFM/W) |
| 44 | 3401 | 12 | 78 |