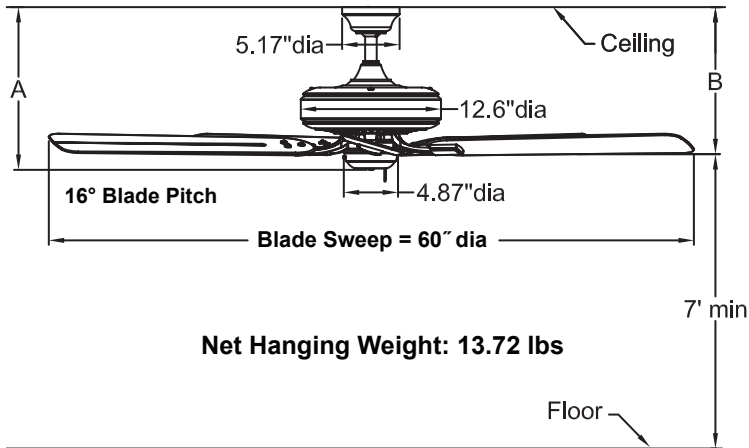


## EDGEWOOD® SERIES

# TF971\*\* Deluxe Wet Location Fan



	A	B
Fan w/4.5" downrod	14.42"	13.02"
Fan w/12" downrod	21.92"	20.52"
Fan w/18" downrod	27.92"	26.52"
Fan w/24" downrod	33.92"	32.52"
Fan w/36" downrod	45.92"	44.52"
Fan w/48" downrod	57.92"	56.52"
Fan w/60" downrod	69.92"	68.52"
Fan w/72" downrod	81.92"	80.52"

### Available Finishes

Fan / Housing Assembly		Blades - Traditional
AZ	Aged Bronze	Dark Cherry
OB	Oil-rubbed Bronze	Dark Cherry
WH	White	White

### INSTALLATION REQUIREMENTS:

Fan must be attached to a securely anchored electrical junction box capable of withstanding a load of at least 35 lbs.

### ELECTRICAL REQUIREMENTS:

Requires a grounded electrical supply line of 120 volts AC, 60 Hz, 15 amp circuit.

### MOTOR SPECS:

212 x 25 AC motor is designed for optimal performance with this fan.

### BLADES:

A set of five 25" all-weather composite wood blades is included.

### CONTROL OPTIONS:

Optional CW5, WC1WH, WC2WH, WR500WH, WR501WH and CWRL4 wall controls are available—sold separately. Optional BTR9, CRL4WH and CR500 remote controls and BTR9 receiver unit and WFR50 WiFi receiver unit are available—sold separately. Instructions are provided with each control.

### LIGHTING OPTIONS:

Optional lighting fitters and light kits are available. See our catalog or visit [www.fanimation.com](http://www.fanimation.com) for available lighting options.

### DOWNROD OPTIONS:

Fan comes with 1" dia. x 4.5" long downrod (DR1-45). Optional wet-location downrods (DR1SS) available in 12", 18", 24", 36", 48", 60", and 72" lengths. A downrod coupler is available for installations requiring a downrod longer than 72". Fan must use 12" or longer downrod, and can be mounted on a sloped ceiling up to 19°. Optional close-to-ceiling kit is available as well—sold separately. Optional sloped ceiling kits (SCK1-52) are available for up to 42°. Call your local dealer for more information.

### LOCATION USE:

Fan is rated for dry, damp and wet locations.

### Airflow / Energy Efficiency Info (120V)

Fan Speed	Max RPM	CFM	CFM / Watts	Amps	Watts
High	125	6659	87	0.70	77
Med	98	4878	112	0.53	43
Low	45	2253	157	0.31	14

### Energy Guide FTC

Power (W <sub>ave</sub> )	Total Air Delivery (CFM <sub>ave</sub> )	Estimated Yearly Energy Cost (\$)	Ceiling Fan Efficiency (CFM/W)
48	4594	13	96