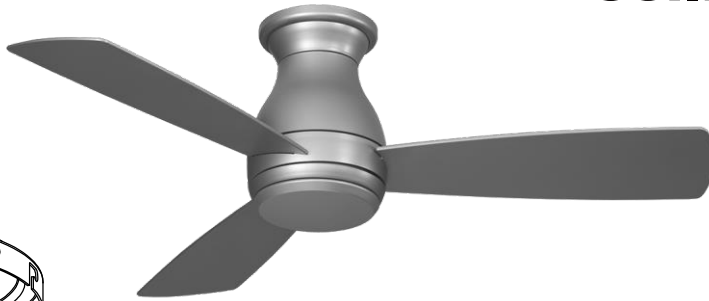
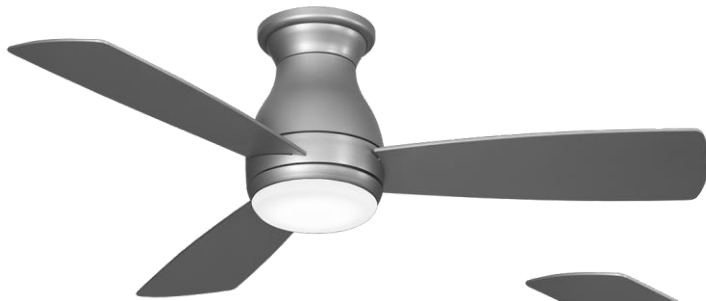
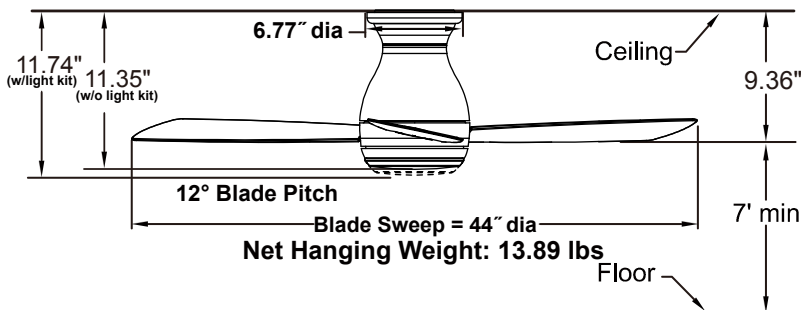


**HUGH™ 44****FPS8332B\*\*  
44" Wet Location  
Ceiling Fan**

**Ceiling Bracket**  
Width of the screw slot



0.67" 2.52"

**INSTALLATION REQUIREMENTS:**

Fan must be attached to a securely anchored electrical junction box capable of withstanding a load of at least 35 lbs.

**ELECTRICAL REQUIREMENTS:**

Requires a grounded electrical supply line of 120 volts AC, 60 Hz, 15 amp circuit.

**MOTOR SPECS:**

153 x 12 AC motor is designed for optimal performance with this fan.

**BLADE SET:**

A set of three 19.5" composite blades is included.

**CONTROL OPTIONS:**

TR500 hand-held remote control is included. Push button remote control with variable fan speeds, infinite light levels and off button. Optional WC2WH and WR501WH wall controls, BTCR9 hand-held remote control and BTR9 and WFR50 receiver are available--sold separately. Instructions are provided with each control.

**LIGHTING OPTIONS:**

One 18-watt LED included.

**LOCATION USE:**

Fan is rated for dry, damp and wet locations.

**Available Finishes**

BNW	Brushed Nickel with Brushed Nickel blades and Opal Frosted Glass / Composite Cap
DZW	Dark Bronze with Dark Bronze blades and Opal Frosted Glass / Composite Cap
GRW	Matte Greige with Matte Greige blades and Opal Frosted Glass / Composite Cap
MWW	Matte White with Matte White blades and Opal Frosted Glass / Composite Cap

**Fan Airflow / Energy Efficiency Info (120V)**

Fan Speed	Max RPM	CFM	CFM / Watts	Amps	Watts
High	250	4503	90	0.43	50
Med	212	3854	116	0.35	33
Low	135	2551	181	0.23	14

**Energy Guide FTC**

Power (W <sub>ave</sub> )	Total Air Delivery (CFM <sub>ave</sub> )	Estimated Yearly Energy Cost (\$)	Ceiling Fan Efficiency (CFM/W)
34	2854	9	85

**Light Bulb Information (120V)**

Bulb Type	Watts	QTY	Lumens Amount	Color Temp	CRI
LED	18	1	1400	3000	90%