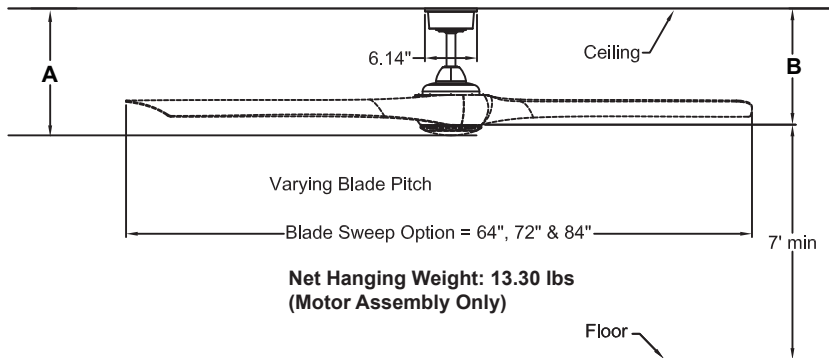


WRAP™ CUSTOM



MAD8531 ** Ceiling Fan



Available Finishes	
BN	Brush Nickel
BL	Black
GR	Matte Greige
MW	Matte White
DZ	Bark Bronze

	A	B
Fan w/8" downrod	15.96"	15.33"
Fan w/12" downrod	19.96"	19.33"
Fan w/18" downrod	25.96"	25.33"
Fan w/24" downrod	31.96"	31.33"
Fan w/36" downrod	43.96"	43.33"
Fan w/48" downrod	55.96"	55.33"
Fan w/60" downrod	67.96"	67.33"
Fan w/72" downrod	79.96"	79.33"

INSTALLATION REQUIREMENTS:

Fan must be attached to a securely anchored electrical junction box capable of withstanding a load of at least 35 lbs.

ELECTRICAL REQUIREMENTS:

Requires a grounded electrical supply line of 120 volts AC, 60 Hz, 15 amp circuit.

MOTOR SPECS:

153 x 25 sensorless DC motor is designed for optimal performance with this fan.

BLADES:

3 bladed blade sets are available in plastic materials— all sold separately.

See our catalog or visit www.fanimation.com for blade options.

CONTROL OPTIONS:

TR205D hand-held remote control is included. Push button remote control with variable fan speeds, fresh air, reverse, infinite light levels, fan/light timer, home away, safe exit and off button. Optional TW206D wall control, WFR8531 receiver are available—sold separately. Instructions are provided with each control.

LIGHTING OPTIONS:

LK8530- One 18-watt dimmable LED.

DOWNROD OPTIONS:

Fan comes with a 1" dia. x 8" long downrod (DR1-8). Optional downrods are available in 12", 18", 24", 36", 48", 60" and 72" lengths. A downrod coupler is available for installations requiring a downrod longer than 72". The fan can be mounted on a sloped ceiling up to 27°. Optional sloped ceiling ball kits (SCB1-52) are available for slope angles greater than 27° and up to 42°. Optional close-to-ceiling kit is available as well—sold separately. Call technical support for more information.

LOCATION USE:

Fan is rated for dry and damp locations.

Energy Guide FTC Measured with BPW8531-84 Blades in 84" sweep			
Power (W _{ave})	Total Air Delivery (CFM _{ave})	Estimated Yearly Energy Cost (\$)	Ceiling Fan Efficiency (CFM/W)
21	8762	6	420