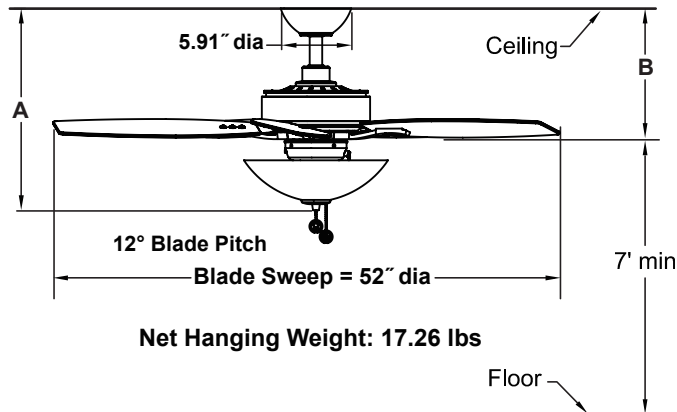
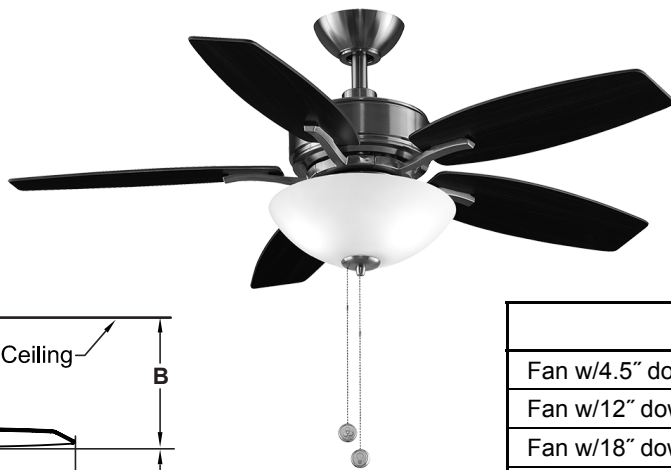


AIRE DELUXE™

FP6285B**
52" Ceiling Fan



	A	B
Fan w/4.5" downrod	17.36"	10.59"
Fan w/12" downrod	24.86"	18.09"
Fan w/18" downrod	30.86"	24.09"
Fan w/24" downrod	36.86"	30.09"
Fan w/36" downrod	48.86"	42.09"
Fan w/48" downrod	60.86"	54.09"
Fan w/60" downrod	72.86"	66.09"
Fan w/72" downrod	84.86"	78.09"

INSTALLATION REQUIREMENTS:

Ceiling fan attaches to electrical junction box securely anchored and capable of withstanding a load of at least 35 lbs.

ELECTRICAL REQUIREMENTS:

Ceiling fan requires a grounded electrical supply line of 120 volts AC, 60 Hz, 15 amp circuit.

MOTOR SPECS:

153 x 15 AC motor is designed for optimal performance with this fan.

BLADE SETS:

A set of five 21" reversible plywood blades is included.

CONTROL OPTIONS:

Three fan speeds pull chain control included. The reverse switch is located on the switch housing. Optional CWRL4** and WC2WH wall controls, BTCR9, CRL4WH and CR500 remote controls with receiver unit and BTR9 and WFR50 receiver unit are available — sold separately. Instructions are provided with each control.

LIGHTING OPTIONS:

Two E26 9-watt LED bulbs included.

DOWNROD OPTIONS:

Fan comes with 1" dia. x 4.5" long downrod. Optional downrods available in 12", 18", 24", 36", 48", 60", and 72" lengths. A downrod coupler is available for installations requiring a downrod longer than 72". Fan can be mounted on a sloped ceiling upto 19°. Most sloped ceiling installations require a downrod longer than the standard 4.5" downrod. Optional close-to-ceiling kit is available as well—sold separately. Optional sloped ceiling kits (SCK1-52) are available for up to 42°. Call technical support for more information.

LOCATION USE:

Fan is rated for dry locations only.

Available Finish	
BN	Brushed Nickel With Cherry/Dark Walnut Blade and Frosted White Glass
DZ	Dark Bronze With Cherry/Dark Walnut Blade and Frosted White Glass
GR	Matte Greige With Weathered Wood Blade and Frosted White Glass
MW	Matte White With Matte White Blade and Frosted White Glass

Airflow / Energy Efficiency Info (120V)					
Fan Speed	Max RPM	CFM	CFM / Watts	Amps	Watts
High	158	4842	88	0.46	55
Med	113	3222	124	0.33	26
Low	67	1927	186	0.20	10

Energy Guide FTC			
Power (W _{ave})	Total Air Delivery (CFM _{ave})	Estimated Yearly Energy Cost (\$)	Ceiling Fan Efficiency (CFM/W)
34	3476	10	102

Light Bulb Information (120V)					
Bulb Type	Watts	QTY	Lumens Amount	Color Temp	CRI
E26 / LED	9	2	1620	3000	90%