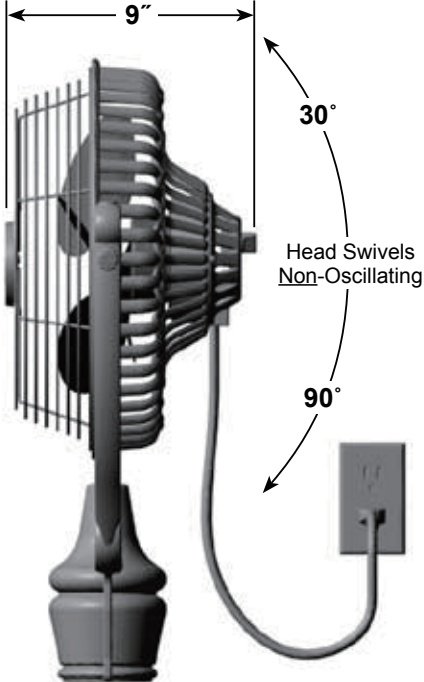
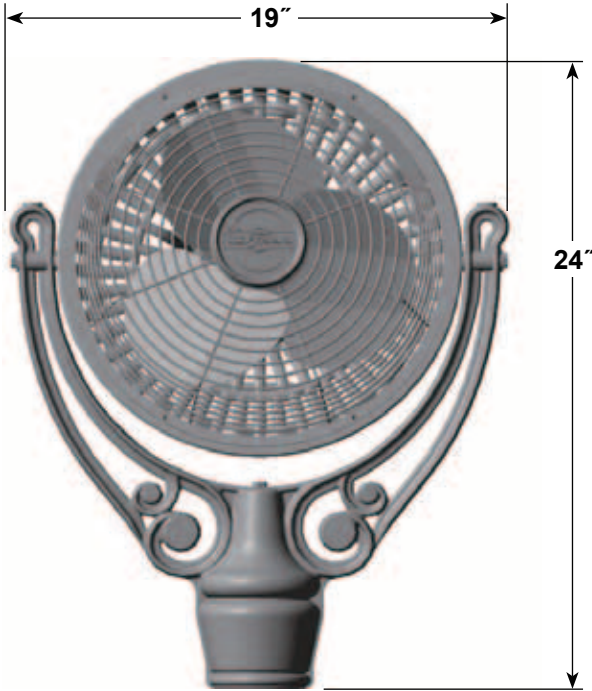


OLD HAVANA® SERIES

FPH210 – Motor Assembly Unit**



Motor Unit Specifications
120 volt, 60 Hz, 0.75 amps Die-cast construction, non-oscillating* 8 ft power cord included High—1,394 rpm; Med—650 rpm; Low—485 rpm Weight 19 lbs

**Motor Unit Finishes	
FPH210AC	Antique copper (grill, logo & blade)
FPH210BL	Black (Damp)
FPH210PW	Pewter (grill, logo & blade)
FPH210RS	Rust (Damp)

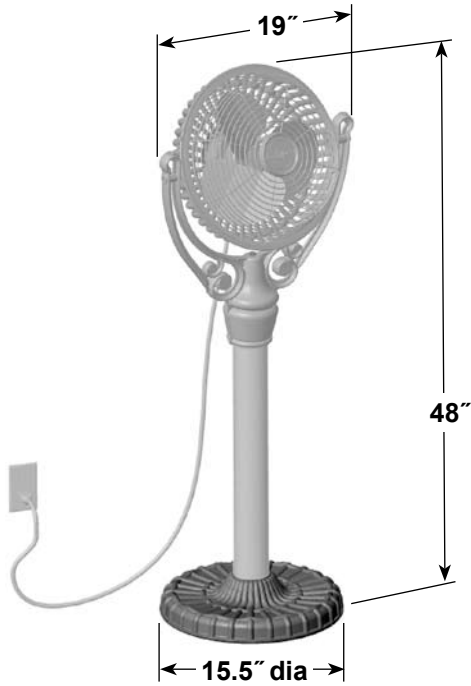
*NOTE: Fan Head does NOT oscillate

PRODUCT MOUNT DESCRIPTION

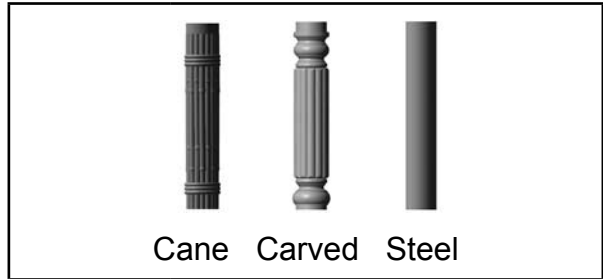
Motor assembly unit (FPH210**) is priced and sold separately from the four different mounting systems (ceiling, floor/desk, wall and pedestal) and accessories.

OLD HAVANA® SERIES

FPH21 – Pedestal Base Accessory Unit**



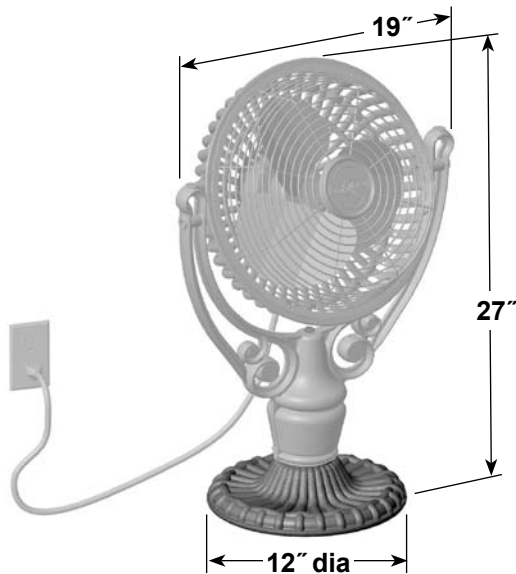
**Pedestal Unit Finishes	
FPH21BL	Black (Damp)
FPH21RS	Rust (Damp)



Custom Column Finishes (priced & sold separately)	
FPH70BL	Black (Damp)
FPH70CP	Carved Post
FPH70CW	Cane Wrapped

- Weight 29 lbs (assembled)
- Die-cast construction
- Includes mounting hardware
- Wall and remote control not available
- Priced and sold Separately

FPH41 – Floor/Desk Base Accessory Unit**

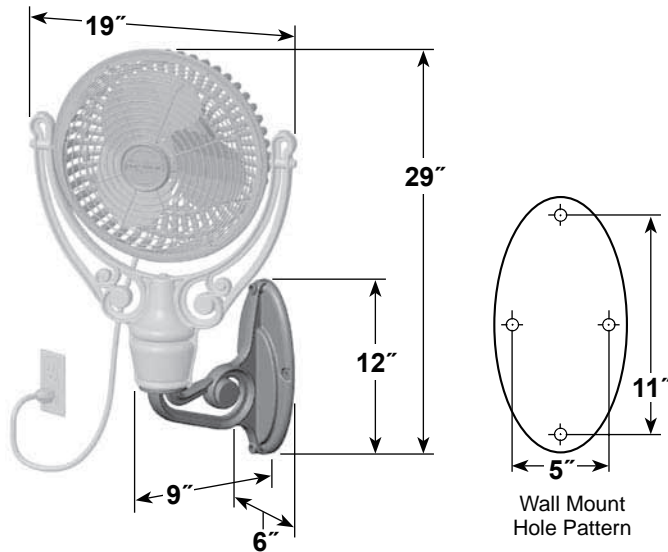


- Weight 25 lbs (assembled)
- Die-cast construction
- Includes mounting hardware
- Wall and remote control not available
- Priced and sold separately

**Floor/Desk Unit Available Finishes	
FPH41BL	Black (Damp)
FPH41RS	Rust (Damp)

OLD HAVANA® SERIES

FPH61** – Wall Mount Accessory Unit

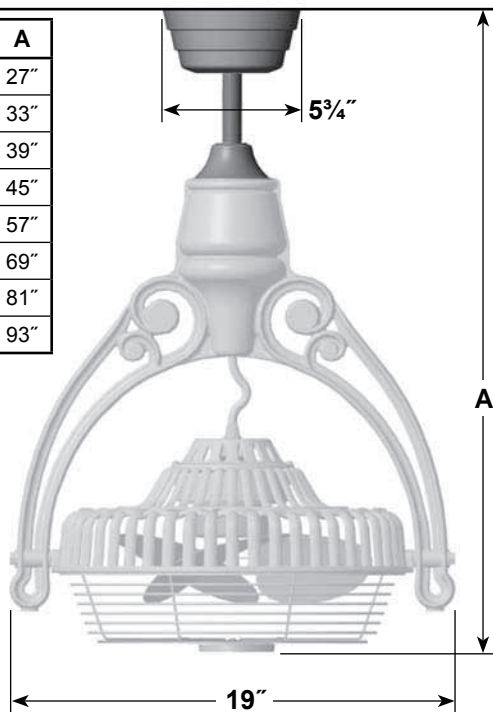


- Weight 27 lbs (assembled)
- Die-cast construction
- Includes mounting hardware
- Wall and remote control not available
- Priced and sold separately

**Wall Unit Available Finishes	
FPH61BL	Black (Damp)
FPH61RS	Rust (Damp)

FPH81** – Ceiling Accessory Unit

Fan Assembly	A
Fan w/6" downrod	27"
Fan w/12" downrod	33"
Fan w/18" downrod	39"
Fan w/24" downrod	45"
Fan w/36" downrod	57"
Fan w/48" downrod	69"
Fan w/60" downrod	81"
Fan w/72" downrod	93"



- Weight 22 lbs (assembled)
- Includes 6" downrod (longer downrods sold separately)
- Will operate with CH1** remote control with wall mount (sold separately)
- Includes mounting hardware
- Attaches to electrical junction box
- Priced and sold separately

**Ceiling Unit Available Finishes	
FPH81BL	Black (Damp)
FPH81RS	Rust (Damp)

Controls (for use with Ceiling Unit)	
Catalog #	Description
CH1WH	Remote control with wall mount (white)
CH1LA	Remote control with wall mount (light almone)