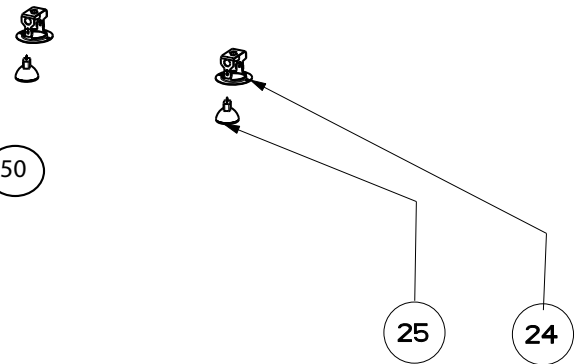
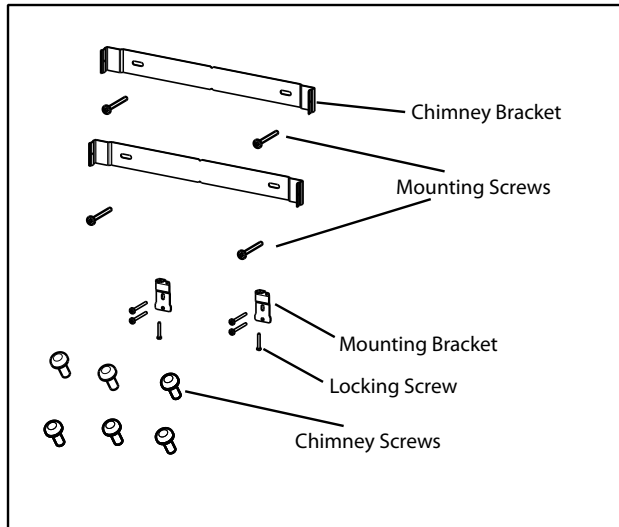
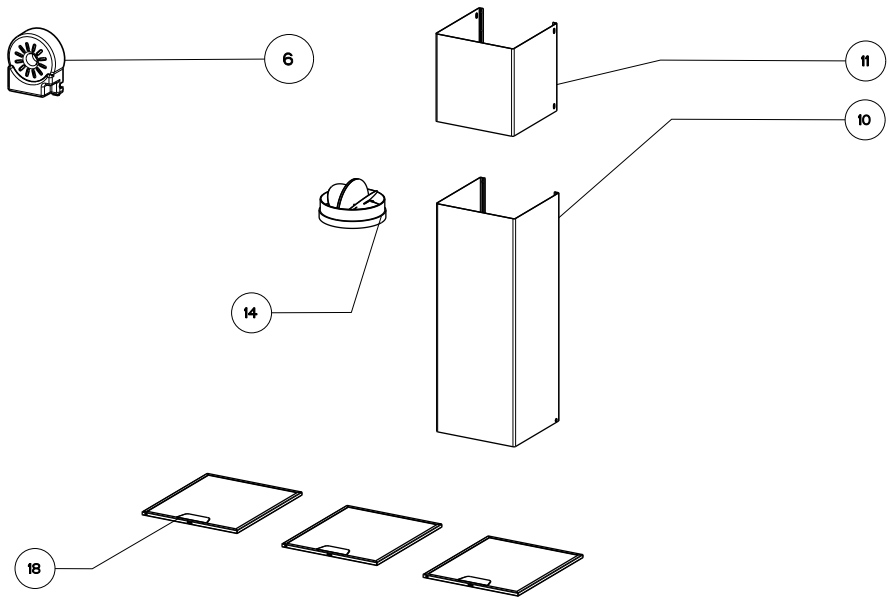


# SYNTHESIS ELECTRONIC CONTROLS

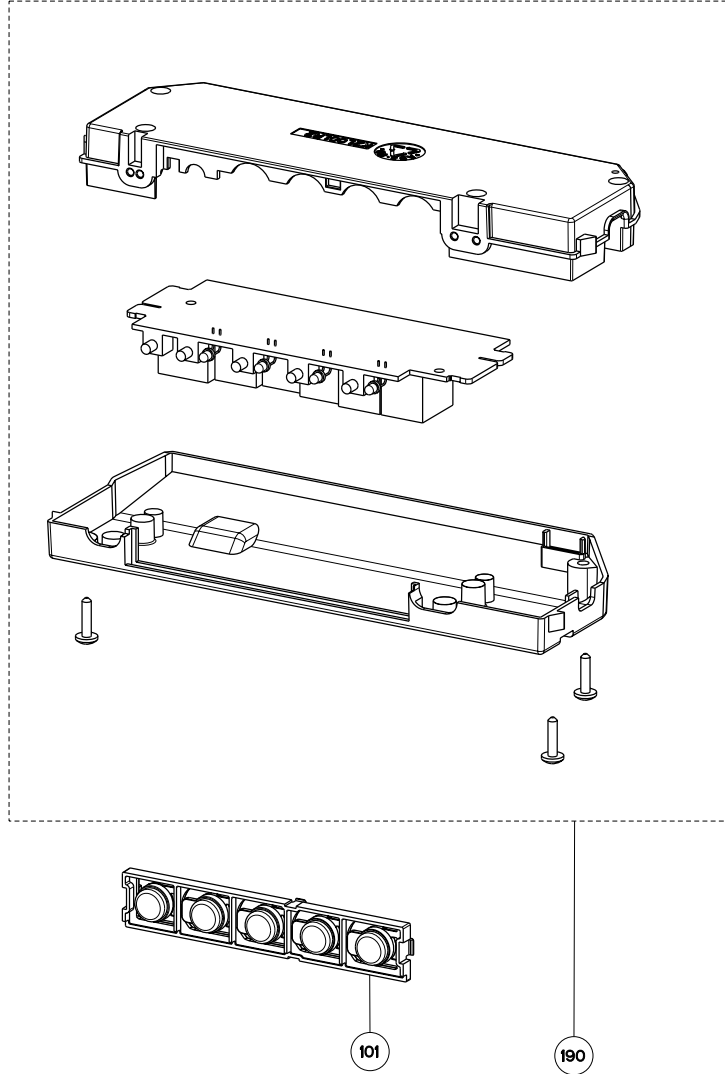
body / chimney / control components



| Key | Model Number  | SYNT30SS     | SYNT36SS     | SYNT30SS300  | SYNT36SS300  | Qty Req.       |
|-----|---------------|--------------|--------------|--------------|--------------|----------------|
| 6   | Transformer   | 133.0052.516 | 133.0052.516 | 133.0052.516 | 133.0052.516 | 1              |
| 10  | Lower Chimney | 133.0072.331 | 133.0072.331 | 133.0072.331 | 133.0072.331 | 1              |
| 11  | Upper Chimney | 133.0017.173 | 133.0017.173 | 133.0017.173 | 133.0017.173 | 1              |
| 14  | Damper        | 133.0055.994 | 133.0055.994 | 133.0055.994 | 133.0055.994 | 1              |
| 18  | Grease Filter | 133.0017.054 | 133.0017.054 | 133.0017.054 | 133.0017.054 | 30 = 2, 36 = 3 |
| 24  | Light Housing | 133.0052.517 | 133.0052.517 | 133.0052.517 | 133.0052.517 | 2              |
| 25  | Halogen Bulb  | 133.0046.418 | 133.0046.418 | 133.0046.418 | 133.0046.418 | 2              |
| 50  | Mounting Kit  | 133.0084.475 | 133.0084.475 | 133.0084.475 | 133.0084.475 | 1              |

# SYNTHESIS ELECTRONIC CONTROLS

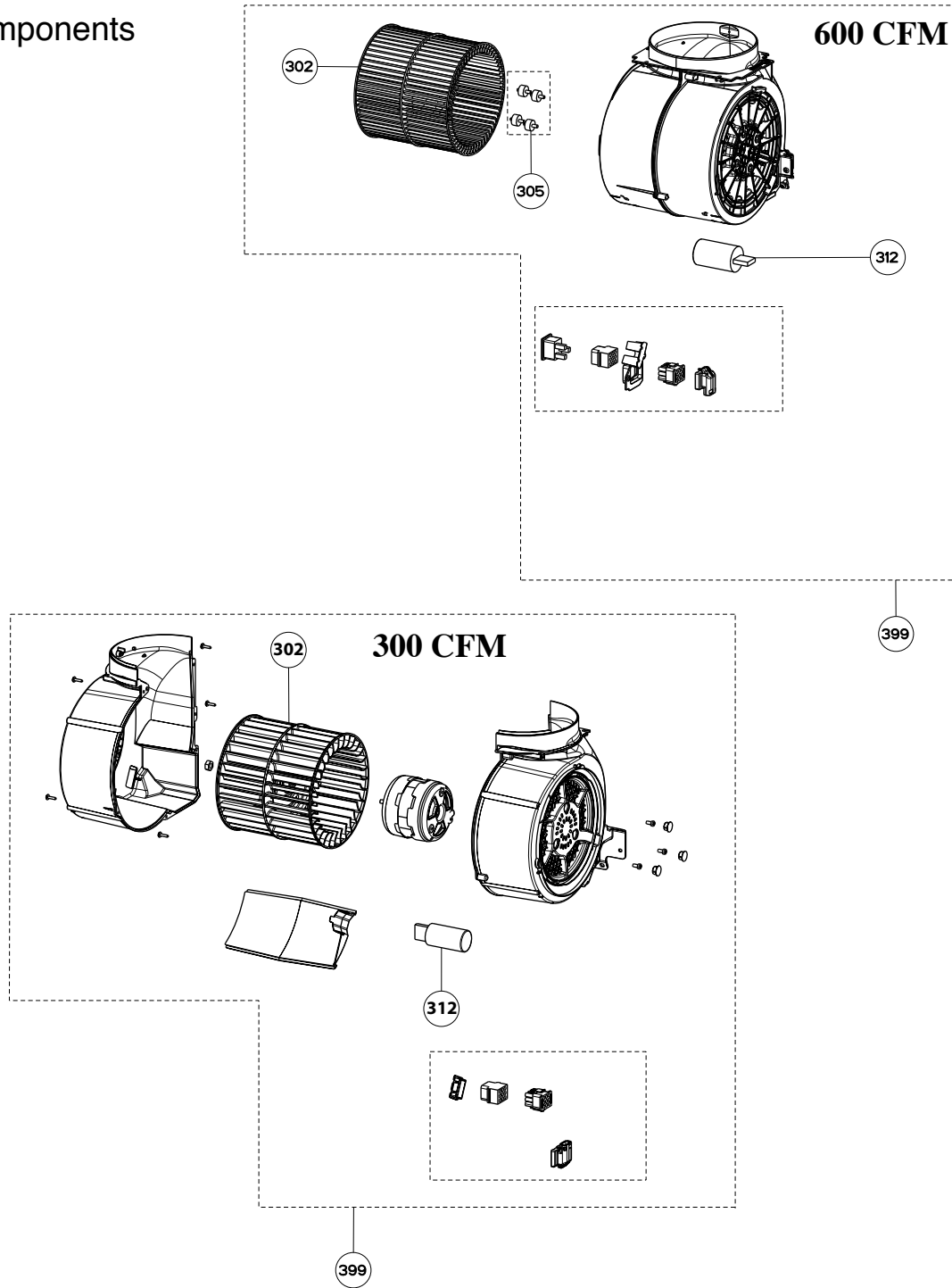
## switch components



|            | Model Number       | SYNT30SS     | SYNT36SS     | SYNT30SS300         | SYNT36SS300         |                 |
|------------|--------------------|--------------|--------------|---------------------|---------------------|-----------------|
| <b>Key</b> | <b>Description</b> | <b>30</b>    | <b>36</b>    | <b>30 - 300 cfm</b> | <b>36 - 300 cfm</b> | <b>Qty Req.</b> |
| 101        | Control Button Kit | 133.0176.906 | 133.0176.906 | 133.0176.906        | 133.0176.906        | 1               |
| 190        | Switchboard Kit    | 133.0176.907 | 133.0176.907 | 133.0176.907        | 133.0176.907        | 1               |

# SYNTHESIS ELECTRONIC CONTROLS

motor components



|     | Model Number       | SYNT30SS     | SYNT36SS     | SYNT30SS300  | SYNT36SS300  |          |
|-----|--------------------|--------------|--------------|--------------|--------------|----------|
| Key | Description        | 30           | 36           | 30 - 300 cfm | 36 - 300 cfm | Qty Req. |
| 302 | Impeller Kit       | 133.0052.799 | 133.0052.799 | 133.0178.632 | 133.0178.632 | 1        |
| 305 | Rubber Motor Mount | 133.0051.604 | 133.0051.604 |              |              | 1        |
| 312 | Capacitor          | 133.0060.648 | 133.0060.648 | 133.0071.827 | 133.0071.827 | 1        |
| 399 | Motor Kit          | 133.0052.798 | 133.0052.798 | 133.0178.492 | 133.0178.492 | 1        |