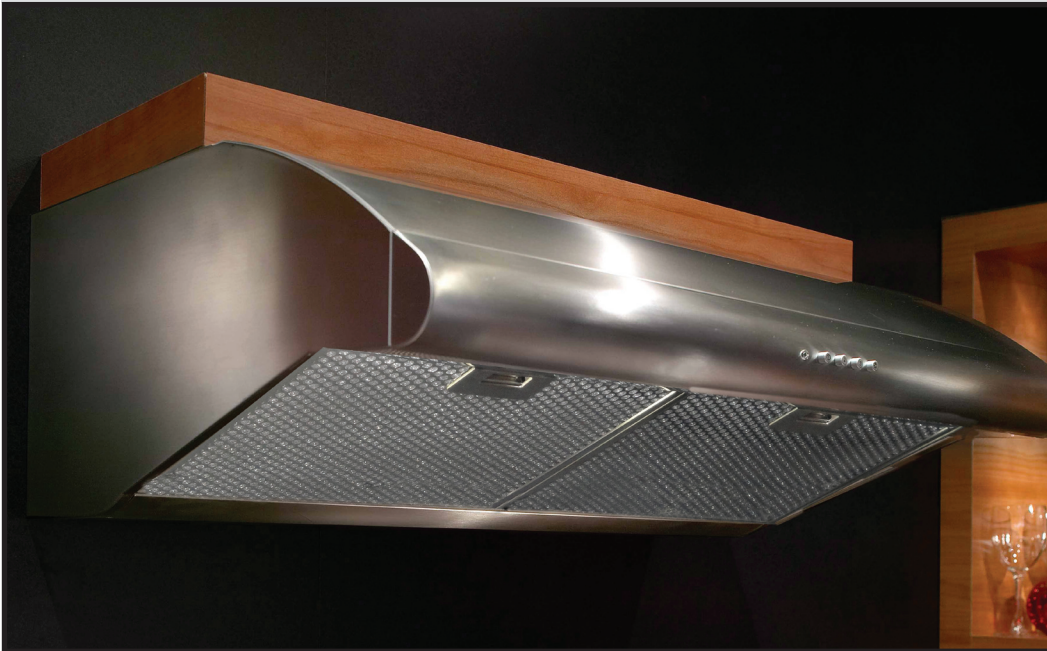


Pellicano Wall Hood



ON AIR. SINCE 1955

A stylish professional kitchen under-cabinet range hood



The Pellicano is an excellent replacement hood for your updated pro cooking. Installs easily to the bottom of your cabinet. Now recirculating filtered air back into your kitchen has never been easier with a new ductless vent grate kit

Model #	Size Color	Performance Range	Sound Levels
PELL30SS	30 Stainless	200 - 600 CFM	3.5 - 6.5 sones
PELL36SS	36 Stainless	200 - 600 CFM	3.5 - 6.5 sones



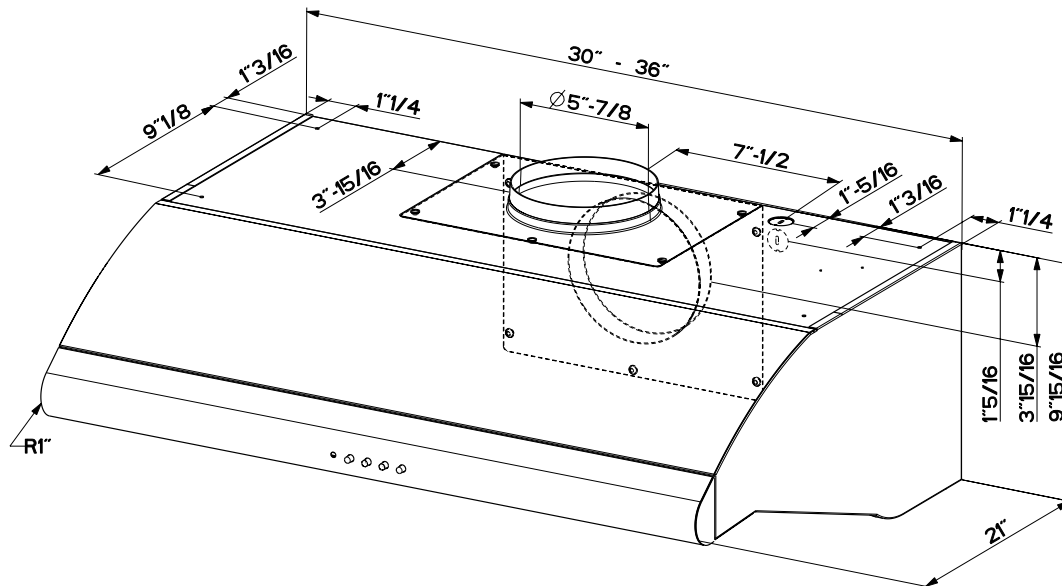
Feature Chart

Min. / Max. Ceiling Height	N/A
Canopy Depth / Height	21" D / 10" H
Controls	3 speed push
Lighting	2 X 20 (W) Halogen
Ducting Top	6" Round
Grease Filters	dishwasher safe stainless mesh filters
Pro Motor with Metal Impellers	Yes
AC Input	120 V - 60 hz
AC Power	Max 370 W at 3.1 A
Annual Electricity Costs	\$4.11 / Year *

* Note – ran 30 minutes a day on low speed with the lights on, 365 days, using the North American average of 12.2 cents per kWh.
 p.o. box 435 • Wayland, MA 01778 • tel: (508) 358-5353 • fax: (508) 358-5730 • e-mail: info@faberonline.com • www.faberonline.com

Dimensional Diagrams

(see installation instructions for more information)



ACCESSORIES

Ductless Vent Grate Kit

A 4" high stainless steel vent grate which is installed below the cabinet to recirculate the air back into the kitchen when ducting outside is impossible or impractical. Includes the stainless grate, installation hardware and charcoal filters

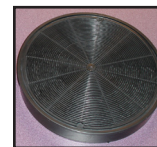
30" - # DUCTGRT30
36" - # DUCTGRT36



Replacement Charcoal Filters

For recirculating installations, high quality, heavy duty filters ensure the removal of smoke and odors from the kitchen.

FILTER1



CFM Reducer Kit

For use in make up air environments where an under 300 cfm hood is required. This kit reduces the ducting to 5" round and reduces the cfm to under 300. NOT FOR USE WITH 48" size hood

CFMRED



WARNING! Product specifications are subject to change without notification. Consult the installation instructions before you begin installing this rangehood.