

DIAMANTE WALL RANGE HOOD



A DIAMOND EDGED DESIGNER CANOPY. A streamlined shape makes the Diamante range hood a great alternative in canopy hoods. To add sparkle, the corners are angled in a diamond-like cut.



AVAILABLE MODELS

Model #	Size / Color	Motor Class (CFM)	Sound Levels (sones)
DIAM30SS	30 Stainless	600 CFM	2.5 - 6.5 sones
DIAM36SS	36 Stainless	600 CFM	2.5 - 6.5 sones
DIAM48SS	48 Stainless	600 CFM	2.5 - 6.5 sones

KEY FEATURES



Electronic Controls

4 Speed digital electronic controls with LED indicator to show the current speed. Includes two level lighting, 30 minute auto shut off, and 10 minute intensive speed.



Pro Motor

The motor in this hood is surrounded in metal with all metal impellers for top performance



Baffle Grease Filters

Dishwasher safe SS metal filters capture grease and allow for easy clean up in the dishwasher



Easy Cube Mounting

Two keyhole brackets on the back of the hood makes leveling the hood a breeze.

DIAMANTE WALL RANGE HOOD



SPECIFICATIONS

min / max ceiling height	7' 5 3/4" - 8' 9 3/4"
convertible to ductless / recirculating	yes - kit sold separately
canopy depth / height	22" d 3 3/8" h
high ceiling kit	yes - reaches up to 10' 8 5/8" ceilings
controls	4 speed LED digital control
lighting	2 (30") or 3 (36", 48") X 20 (W) Halogen + Dimmer
ducting top	6" round
grease filters	dishwasher safe baffle filters
pro motor (metal impellers)	yes
easy cube mounting	yes
silent kit/ 10 minute intensive speed / 30 minute shut off	yes
AC input / AC Power	120 V - 60 hz / Max 390 W at 3.3 A

PERFORMANCE

SPEED	1	2	3	BOOST
CFM	150	300	450	560
Sones	2.8	4.3	6.0	7.5

MIN / MAX CEILING HEIGHTS

	DUCTED	RECIRC	HIGH CEILING
Min @ 24" OFF	7' 5 3/4"	7' 11 3/8"	9' 4 3/8"
Max @ 30" OFF	8' 9 3/4"	8' 10 1/2"	10' 8 5/8"

ACCESSORIES

FILTER2 -

Charcoal Filter Kit

High quality charcoal filter for use when recirculating the air back into the kitchen. Filters out odor and should be replaced every 6 months.

HIGHDIAM -

High Ceiling Kit

One 39" upper chimney to replace 16 1/8" upper chimney included with the hood.

DUCTDIAM -

Ductless Conversion Kit

Includes: Lower chimney with holes for ducting, ductless diverter assembly, vent grates and charcoal filter.

CFMRED2

CFM Reducer Kit*

For use in make up air environments where an under 400 cfm hood is required. This kit reduces the ducting to 5" round and reduces the cfm from 400 to under.

CFMRED -

CFM Reducer Kit*

For use in make up air areas where an under 300 cfm hood is required. This kit reduces the ducting to 5" round and reduces the cfm to under 300.

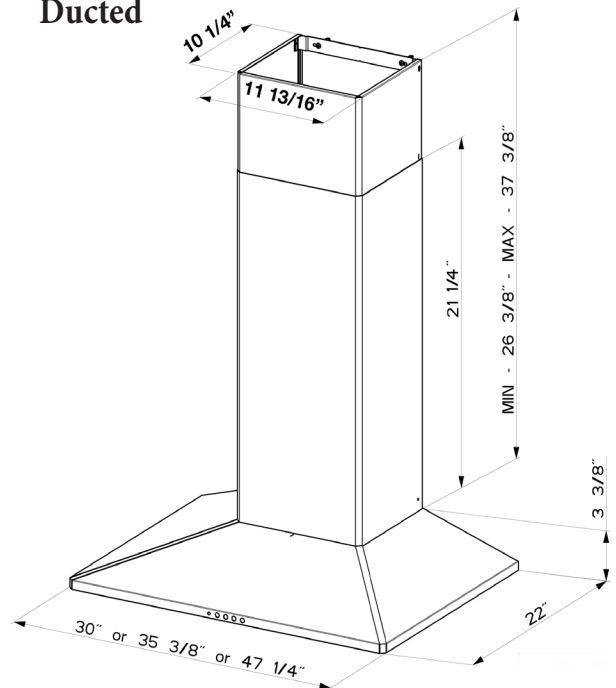
MUDAMPER6 / MUDAMPER8 -

Universal Make-Up Air Damper

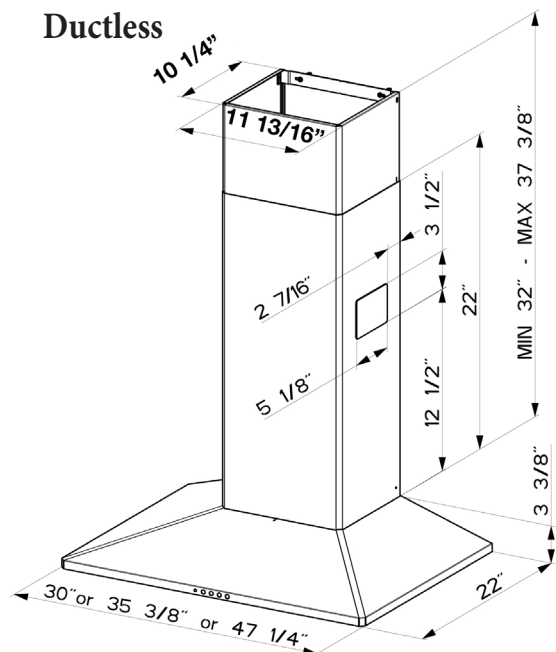
Satisfies make-up air requirements, this kit uses an air switch to activate the make-up air damper to open and bring fresh air into the home when the hood fan is on. It then closes tightly when the hood is off. The CFM level is not reduced with this accessory.

DIMENSIONS

Ducted



Ductless



WARNING! Product specifications are subject to change without notification. Consult the installation instructions before you begin installing this range hood. * Check local make up air codes for guidelines.



Imagined in Italy