



## REMOTE WALL CONTROL INSTALLATION INSTRUCTIONS

This Remote Control can only be used with Faber Inca Pro 30 RB and Inca Pro 38 RB rangehoods models.

### READ AND SAVE THESE INSTRUCTIONS.

The Installer must leave these instructions with the homeowner.

The homeowner must keep these instructions for future reference and for local electrical inspectors' use.

#### WARNING

Risk of electrical shock. Electrical wiring must be done by qualified personnel in accordance with all applicable codes and standards. Turn off power and lock out service panel before installing, wiring, or servicing this product. To prevent serious injury from electrical shock or damage to electrical components - DO NOT WIRE HOT! This unit must be grounded.

### MAKE YOUR CUT-OUTS.

#### WARNING

When cutting or drilling into wall, do not damage electrical wiring and other hidden utilities.

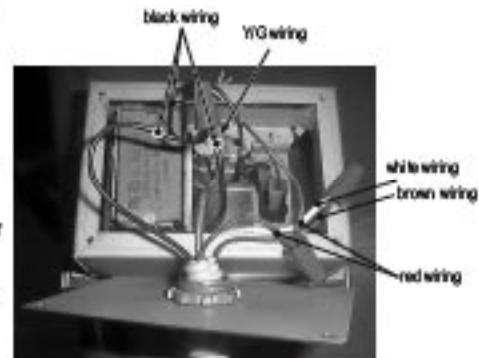
- Cut a level 4 11/32" X 3 5/32" hole in the location surface.
- Route the electrical cable from the hood to the wall control location.

### INSTALL THE REMOTE WALL CONTROL

- Remove the back metallic panel of the Remote Wall Control by removing the four screws.
- Insert and fix a cable with four wires (Brown, Black, Red and Green Ground Wire) into the knockout hole of the back metallic panel.
- Connect the green ground wire from the cable to the green ground screw.
- Connect the red wire from the cable to the red Remote Wall Control wire with a twist-on wire connector.
- Connect the brown wire from the cable to the white/black Remote Wall Control wire with a twist-on wire connector.
- Connect the black wire from the cable to the two black Remote Wall Control wires with a twist-on wire connector.
- Replace the back metallic panel.

Twist on wire connector should be suitable for connecting multiple wires of different sizes together.

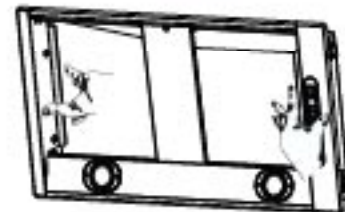
- Remove the faceplate from the Remote Wall Control by removing two screws.
- Position the remote control box in a hole so that both face plate mounting tabs are flush to the finished wall surface. Fasten it to a wall stud using four screws (not supplied)
- Reinstall the control faceplate, ensuring not to pinch wires.



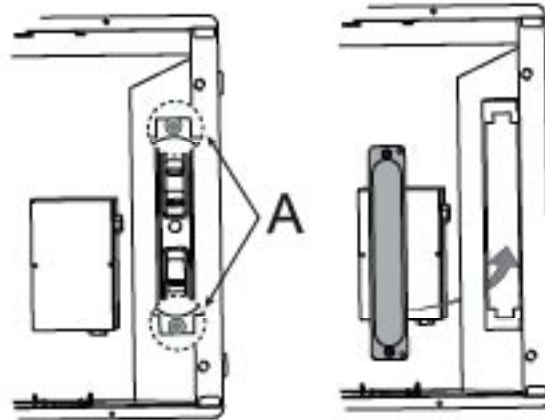
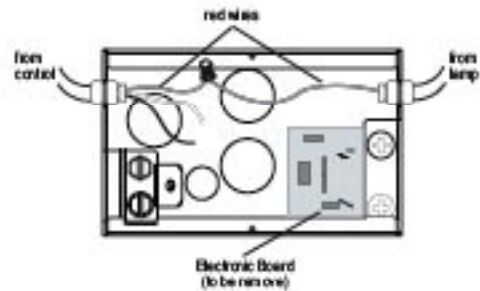
### CONNECTION OF THE REMOTE WALL CONTROL TO THE RANGEHOOD

For to install the rangehood, please read its booklet.

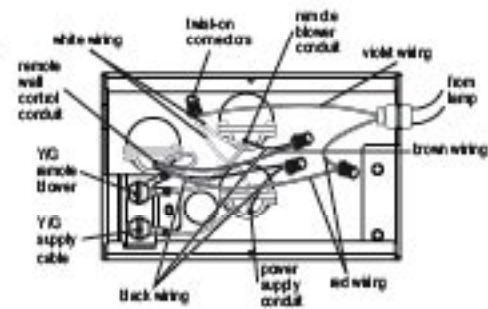
- Remove the grease filters USING TWO HANDS one to hold the filter so that it doesn't fall on cooktop and one to turn the knob by pulling the knob out and turning to the left.
- Remove the entire bottom of the rangehood by pushing your thumb into the side holes and pulling the sides free from the rangehood.



- Remove wiring box cover by removing the two screws.
- Disconnect the two red wires by removing the twist-on wire connector.
- Remove the internal Control Box by removing the the two phillips screws (item A) on the bottom of the rangehood.
- Close the hole using the cap provided on the package of the Remote Wall Control using the two previous phillips screws.
- Remove the Electronic Board on the wiring box by removing the the two phillips screws.



- Insert the cable with four wires (Brown, Black, Red and Green Ground Wire) previously connected to the Remote Wall Control into the knockout hole of the rangehood.
- Insert the cable of the Remote Blower having three wires (Black, White and Green Ground Wire) into the knockout hole of the rangehood.
- Insert the power supply cable into the knockout hole of the rangehood.
- Connect the green ground wire from the power supply to the green ground screw.
- Connect the green ground wire from the Remote Wall Control with the green ground wire of the Remote Blower to the green ground screw.
- Connect the red wire from the Remote Wall Control with the red wire of Wiring Box with a twist-on wire connector.
- Connect the brown wire from the Remote Wall Control with the black wire of the Remote Blower cable with a twist-on wire connector.
- Connect the black wire from the Remote Wall Control with the black wire of the power supply cable with a twist-on wire connector.
- Connect together with a twist-on wire connector the following wires:
  - violet rangehood wire
  - white wire of the power supply cable
  - white wire of the Remote Blower cable.
- Replace wiring box cover. Tighten screw securely.
- Replace the bottom of the rangehood and reinsert the grease filters.
- Reconnect power



Twist on wire connector should be suitable for connecting multiple wires of different sizes together.

### WIRING DIAGRAM

