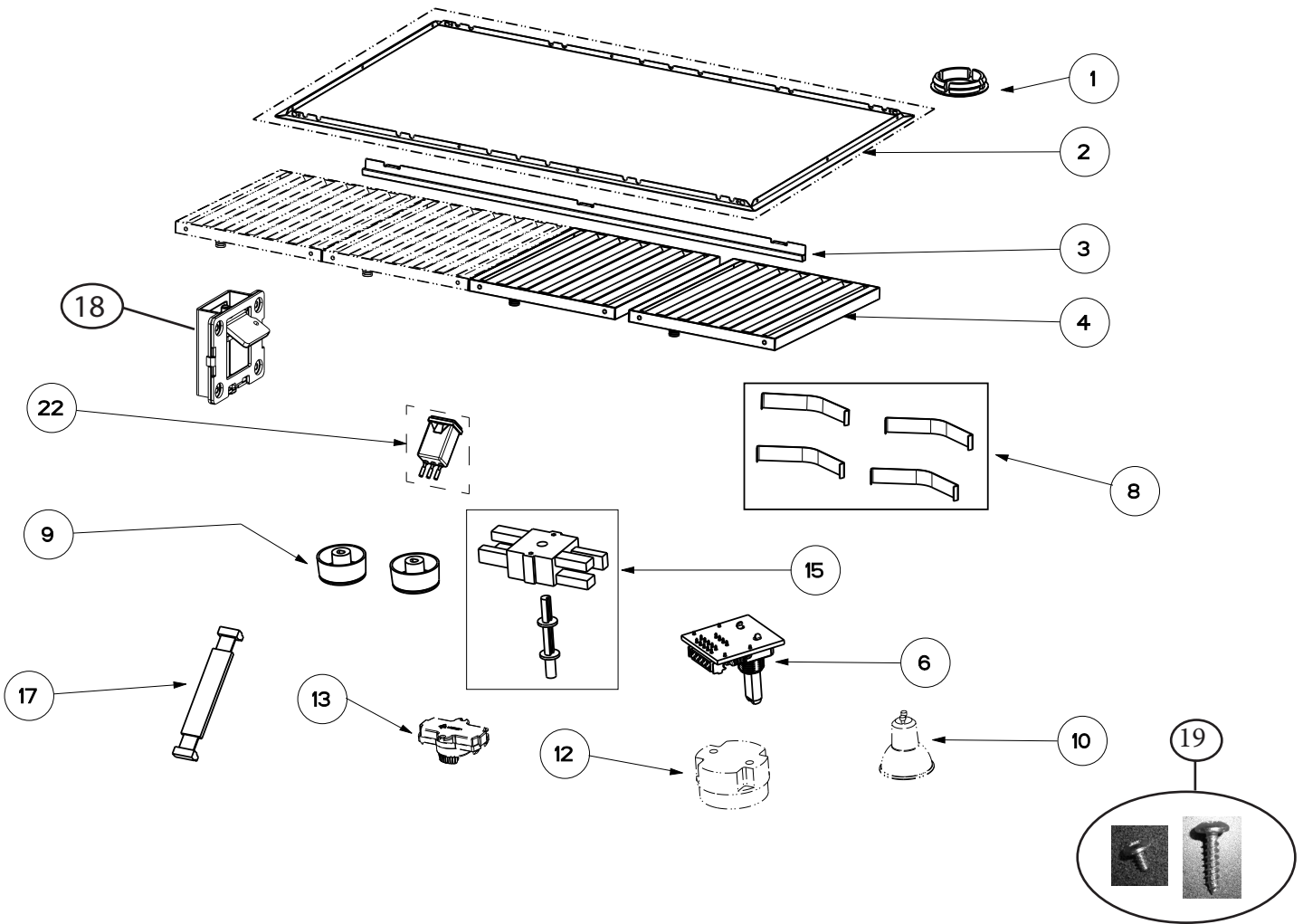


INCA PRO PLUS 2026 BLOWER INCLUDED (SERIAL # STARTING G)

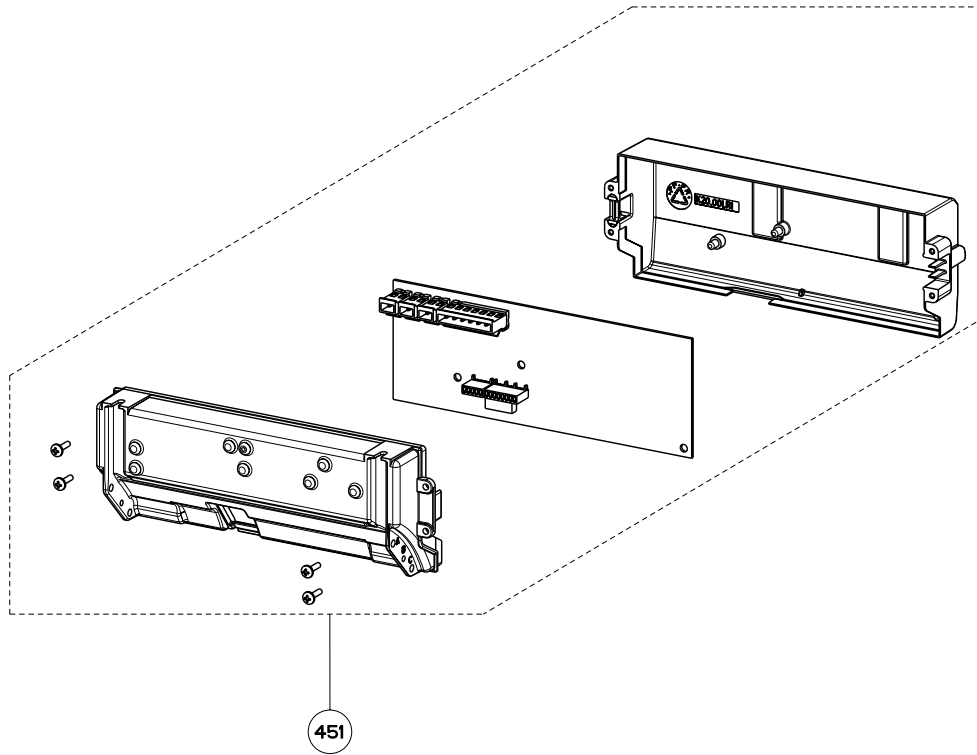
body components



	Model Number	INPL3619SS600	INPL3619SS1200	INPL4819SS600	INPL4819SS1200	
Key	Description	36 x 19	36 x 19	48 x 19	48 x 19	Qty Req.
1	Plastic Covers (10 PCS)	133.0017.608	133.0017.608	133.0017.608	133.0017.608	1
2	Trim Kit	133.0463.737	133.0463.737	133.0463.969	133.0463.969	1
3	Grease Rail	133.0183.288	133.0183.288	133.0183.289	133.0183.289	1
4	Baffle Filter with Knobs Included	133.0750.582	133.0750.582	133.0750.582	133.0750.582	3 (36"), 4 (48")
6	Speed Control	133.0505.648	133.0505.648	133.0505.648	133.0505.648	1
8	Grease Filter Springs	133.0176.900	133.0176.900	133.0176.900	133.0176.900	1
9	Control Knobs	133.0176.901	133.0176.901	133.0176.901	133.0176.901	2
10	LED Bulb	133.0486.867	133.0486.867	133.0486.867	133.0486.867	2 (36"), 4 (48")
12	Lampholder (2 PCS)	133.0505.649	133.0505.649	133.0505.649	133.0505.649	1 (36"), 2 (48")
13	Lampholder Support	133.0198.226	133.0198.226	133.0198.226	133.0198.226	2 (36"), 4 (48")
15	Light Controls	133.0506.873	133.0506.873	133.0506.873	133.0506.873	1
17	Ribbon Cable	133.0016.845	133.0016.845	133.0016.845	133.0016.845	1
18	Hinge Clips Kit (2 in kit)	133.0017.524	133.0017.524	133.0017.524	133.0017.524	2
19	Installation Hardware	133.0520.950	133.0520.950	133.0520.950	133.0520.950	1
22	Electronic EMC Filter	133.0505.608	133.0505.608	133.0505.608	133.0505.608	1

INCA PRO PLUS 2026 BLOWER INCLUDED (SERIAL # STARTING G)

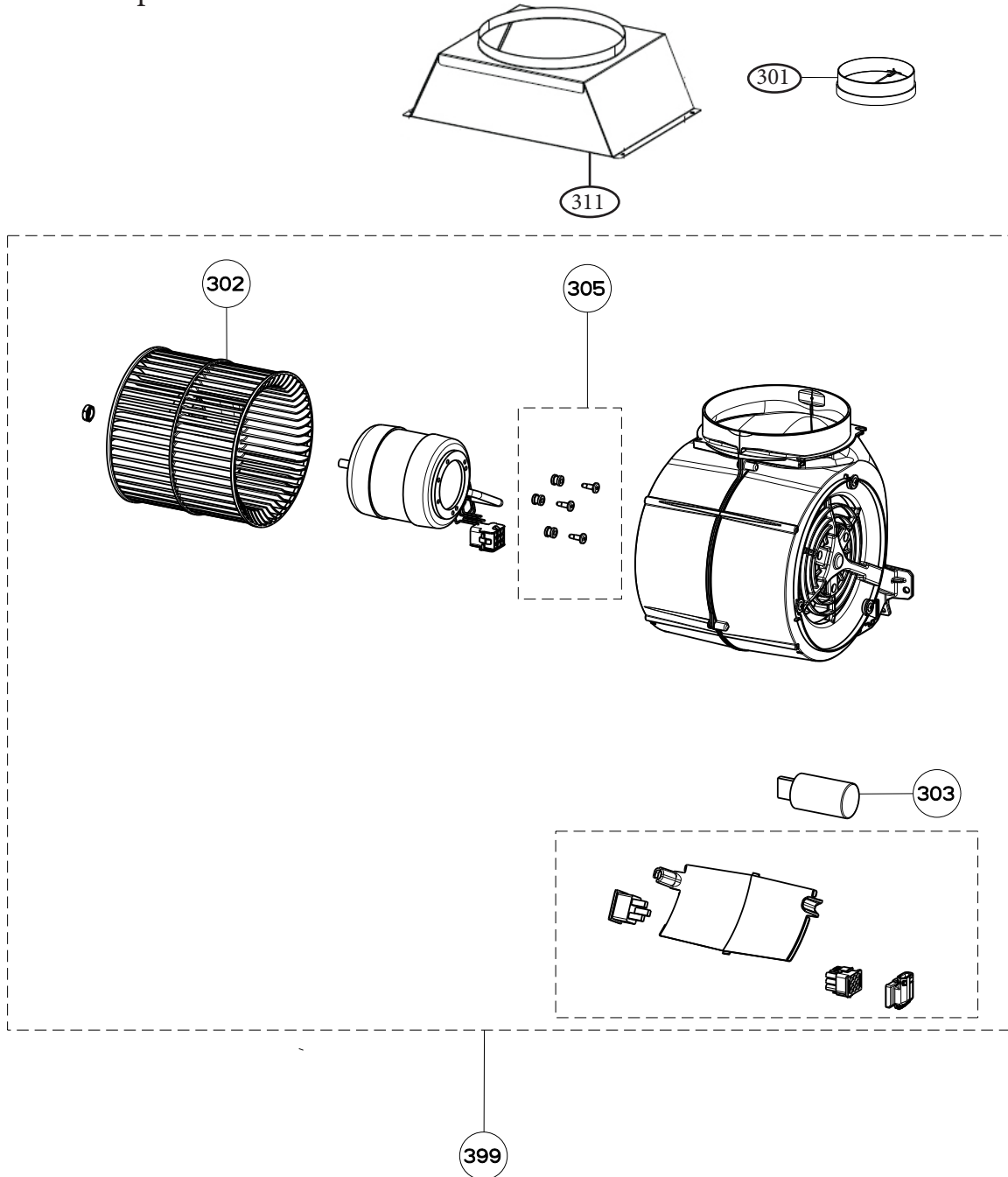
control board components



	Model Number	INPL3619SS600	INPL3619SS1200	INPL4819SS600	INPL4819SS1200	
Key	Description	36 x 19	36 x 19	48 x 19	48 x 19	Qty Req.
451	Control Board	133.0505.652	133.0505.652	133.0505.652	133.0505.652	1

INCA PRO PLUS 2026 BLOWER INCLUDED (SERIAL # STARTING G)

motor components



Key	Model Number	INPL3619SS600	INPL3619SS1200	INPL4819SS600	INPL4819SS1200	Qty Req.
	Description	36 x 19	36 x 19	48 x 19	48 x 19	
301	Damper	133.0055.994	133.0055.994	133.0055.994	133.0055.994	1-(600 cfm), 2 -(1200 cfm)
302	Impeller	133.0151.809	133.0151.809	133.0151.809	133.0151.809	1-(600 cfm), 2 -(1200 cfm)
303	Capacitor	133.0060.648	133.0060.648	133.0060.648	133.0060.648	1-(600 cfm), 2 -(1200 cfm)
305	Rubber motor mounts (4 PCS)	133.0051.604	133.0051.604	133.0051.604	133.0051.604	1-(600 cfm), 2 -(1200 cfm)
311	10" Duct Transition	N/A	133.0189.429	N/A	133.0189.429	1
399	Pro Motor	133.0174.148	133.0174.148	133.0174.148	133.0174.148	1-(600 cfm), 2 -(1200 cfm)