



WHERE INSPIRATION MEETS ASPIRATION

The High-Light is an innovative addition to Faber's collection of ceiling-mounted hoods. It features smart energy-saving LED lighting and Perimeter Aspiration technology, increasing airflow while reducing noise levels.

AVAILABLE MODELS

Model #	FUN #	Size / Color	Motor Class (CFM)
HILTIS36SSNB	350.0590.460	36" Stainless Steel	No Blower
HILTIS36WHNB	350.0590.459	36" White Matte	No Blower



Blowers	FUN #	
IB300	113.0533.092	Internal Blower 300 CFM
IB400	113.0176.627	Internal Blower 400 CFM
IB600	112.0177.182	Internal Blower 600 CFM PRO
RB900	113.0176.625	Remote Blower 900 CFM
RB1200	113.0176.626	Remote Blower 1200 CFM
AXP250	133.0661.354	In-Line Blower 735 CFM (FLANGE10 REQUIRED)

THE HIGH-LIGHT HOOD FEATURES A WHITE MATTE OR STAINLESS STEEL PANEL. A LED LIGHT BAR **ILLUMINATES** YOUR TASK SPACE WHILE IMPROVING **ENERGY EFFICIENCY**.

Note: If desired you may use your own external blower, purchased separately, rated 2.8 amp maximum suitable for use with solid state variable speed control. FLANGE10 would be required with this installation.



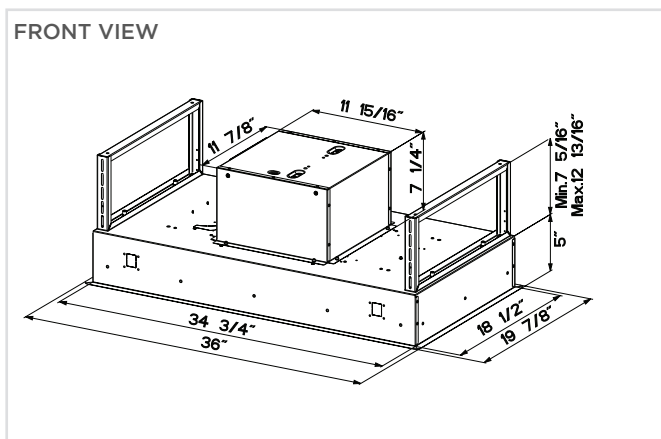
HIGH-LIGHT



MODEL	FUN #	SIZE/MATERIAL	MOTOR CLASS
HILTI36SSNB	350.0590.460	36" Stainless Steel	No Blower
HILTI36WHNB	350.0590.459	36" White Matte	No Blower

FEATURES		PERFORMANCE		ACCESSORIES
Dimensions		Motor		FILTER1 Charcoal Filter Kit
Ceiling Height	N/A	No. of Fan Speeds	4	FILTER1LL2 Long Lasting Charcoal Filter
Ducting		Perimeter Aspiration	Yes	FLANGE10 10" Blower Flange (Required with AXP250)
Type	Ducted/Ductless with FILTER1/FILTER1LL2	Remote Blower	Optional	FLANGE3 10" round to 3 1/4" x 10" Flange
Duct Size	6" Round 10" 4-Way Venting	Display		MUDAMPER6 6" Make-up Air Kit
Lighting		Controls	Digital LED	MUDAMPER8 8" Make-up Air Kit
Type	Energy-Efficient LED Panel	Intensive Speed	10 Minutes	MUDAMPER10 10" Make-up Air Kit
# of Bulbs	3 Watt - 2 level	Delay Shut-off	30 Minutes	
Light Dimmer	Yes	Other		
Grease Filter		ADA Compliant	With Remote Control	
Filter Type	Mesh	Remote Control	Included	
Dishwasher Safe	Yes	Fixed Wiring Box	Included	
Filter Alarm	Yes			

DIMENSIONAL DRAWINGS



Rev3 1122

800 Aviation Parkway, Smyrna, TN 37167 (508) 358-5353 | www.faberonline.com