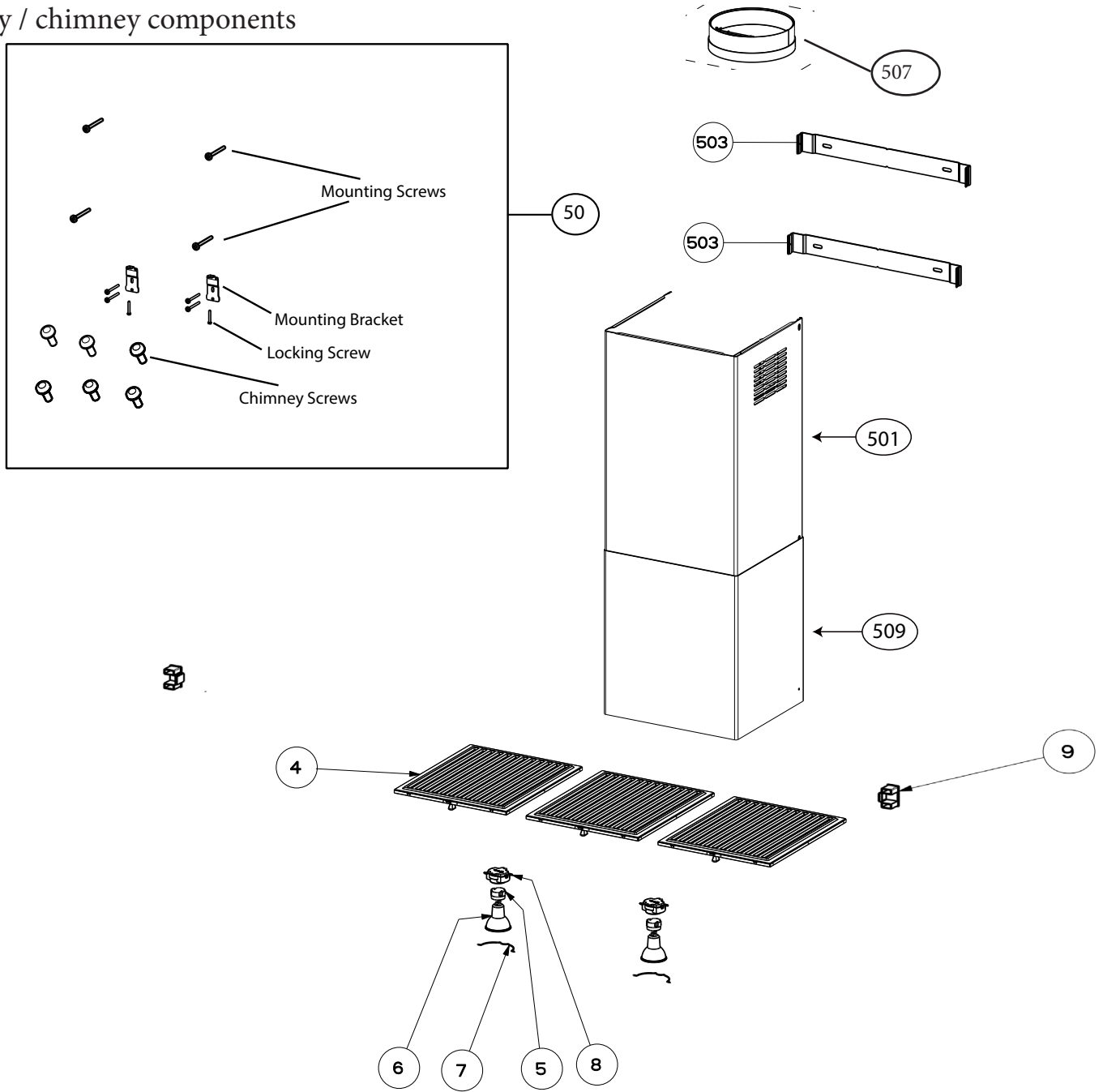


# NOVA PRO 2019 SSV

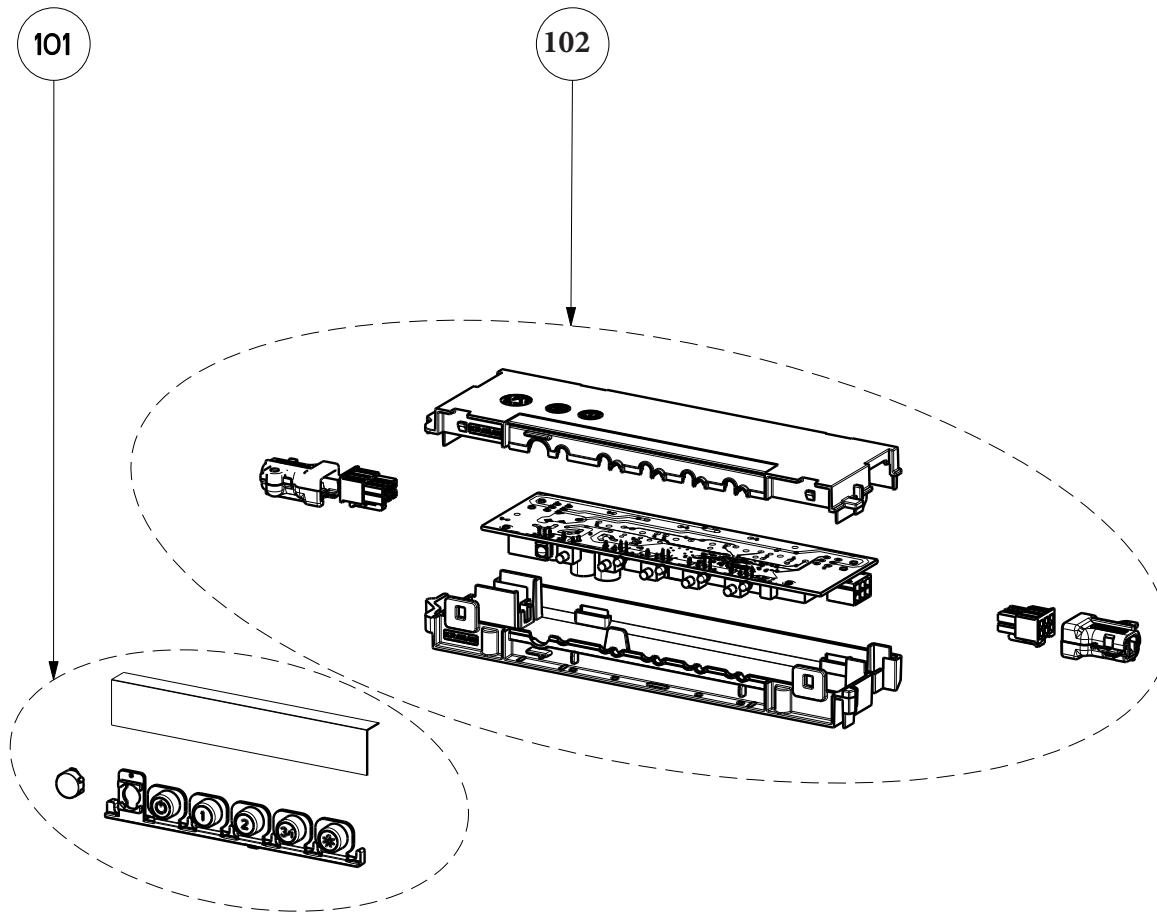
## body / chimney components



Key	Model Number	NOPR30SS600	NOPR36SS600	Qty Req.
	<b>Description</b>	<b>30 Stainless</b>	<b>36 Stainless</b>	
4	Grease Filter	133.0018.482	133.0018.482	2 (30"), 3 (36")
5	Lamp Holder	133.0380.507	133.0380.507	1
6	LED Bulb	133.0486.867	133.0486.867	2
7	Bulb Clip	133.0441.210	133.0441.210	1
8	Lamp holder Support	133.0198.226	133.0198.226	2
9	Frame Clip	133.0058.590	133.0058.590	1
50	Canopy Wall Brackets and screws	133.0084.480	133.0084.480	1
501	Upper Chimney	133.0017.078	133.0017.078	1
503	Chimney brackets	133.0046.952	133.0046.952	1
507	Damper	133.0055.994	133.0055.994	1
509	Lower Chimney	133.0527.319	133.0527.319	1

# NOVA PRO 2019 SSV

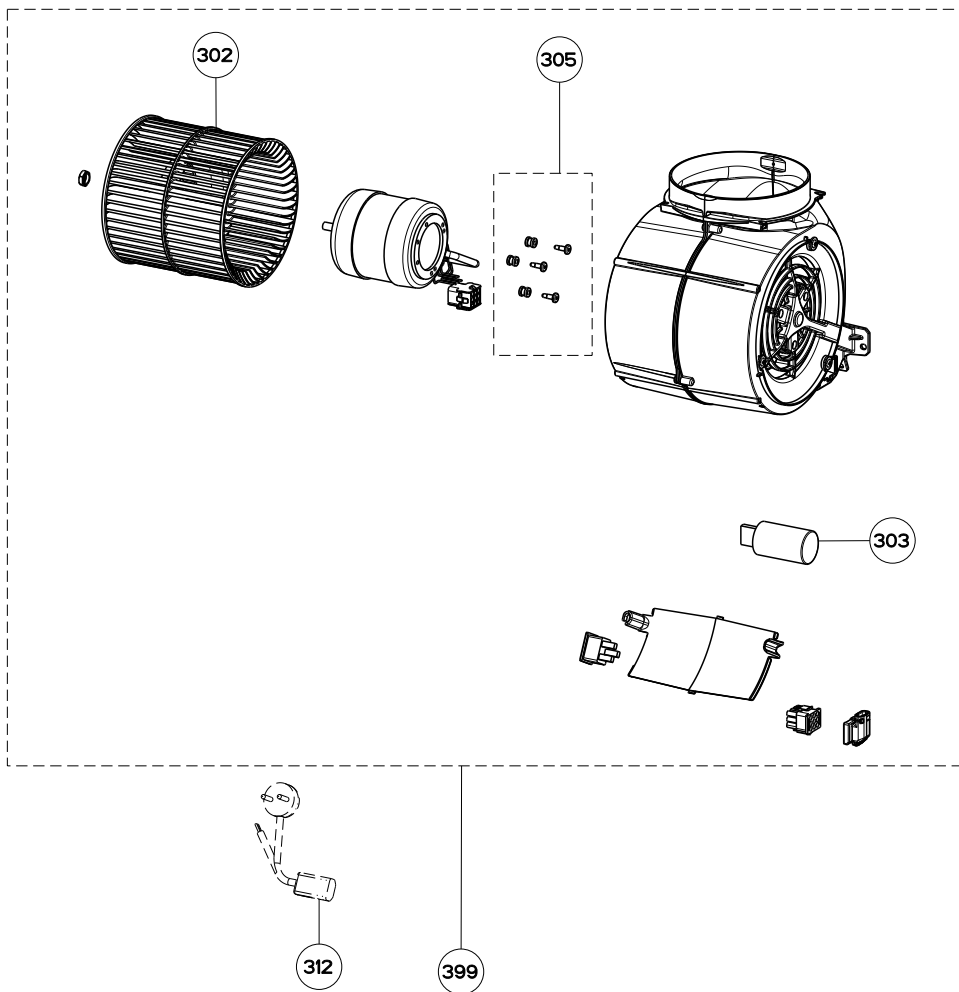
switch components



	Model Number	NOPR30SS600	NOPR36SS600	
Key	Description	30 Stainless	36 Stainless	Qty Req.
101	Button Kit	133.0380.478	133.0380.478	1
102	Control Board Kit	133.0524.811	133.0524.811	1

# NOVA PRO 2019 SSV

## motor components



	Model Number	NOPR30SS600	NOPR36SS600	
Key	Description	30 Stainless	36 Stainless	Qty Req.
302	Impeller	133.0151.809	133.0151.809	1
303	Capacitor	133.0060.648	133.0060.648	1
305	Rubber Motor Mount	133.0051.604	133.0051.604	1
312	Power Cord	133.0381.468	133.0381.468	1
399	Motor Kit	133.0554.637	133.0554.637	1