

# SCIROCCO PLUS

DOWN DRAFT RANGE HOOD

**FABER**  
AIR MATTERS

**14" TALL RISING DOWN DRAFT WITH ADVANCED FEATURES.** THE SCIROCCO PLUS DOWN DRAFT IS PERFECT FOR ISLAND INSTALLATIONS, WHERE AN OVERHEAD CANOPY WOULD BE OBSTRUCTIVE, OR WALL INSTALLATIONS WHERE CABINET SPACE IS AT A PREMIUM.



## AVAILABLE MODELS

Model #	Size / Color	Motor Class (CFM)	Sound Levels (sones)
SCIR3014SSNB-B	30 stainless steel		
SCIR3614SSNB-B	36 stainless steel		
IBDD600-B		600 CFM Internal Blower 60- 600 CFM	1.5 - 6.5
RB900		900 CFM Remote Blower 120 - 900 CFM	
RB1200		1200 CFM Remote Blower 120-1200 CFM	

## KEY FEATURES



### Pro Motor

The motor in this hood is surrounded in metal with all metal impellers for top performance



### Reversible Motor

The motor can be mounted in the front or behind any cooking surface or range.



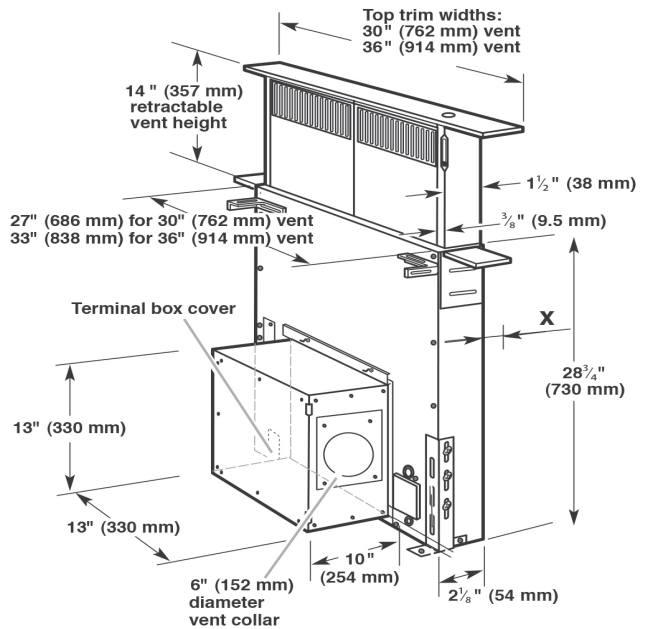
### Fully Integrates with the Counter top

In the down position the Scirocco Plus is unobtrusive in your kitchen.

### SPECIFICATIONS

max rise height	14"
multiple ducting options	internal: left, right, down, forward, back remote - forward or back
reversible motor box	yes
hood width   depth (36")	30"- 36" w   2 1/8" d
controls	slide speed control dial with on/off button
ducting front/back	6" round (internal) or 10" round (remote)
grease filters	stainless mesh
no brand logo on stainless top strip	yes
Pro Motor (metal impellers)	yes
auto shut off	yes
innovative safety features	yes - micro switch prevents lowering when washing filters. Top strip stops if an object obstructs its path
power cord included	yes
AC power	120 V - 60hz/Max 450 W at 3.8 A

### DIMENSIONS



### PERFORMANCE (IBDD600-B)

SPEED	1	2	3
CFM	190	330	480
Sones	2.5	4	7

### Overall

### ACCESSORIES

# FILTERSCIR-

#### Replacement Charcoal Filter Kit

High quality charcoal filter for use when recirculating the air back into the kitchen. Filters out odor and should be replaced every 6 months.

# DUCTSCIR

#### Ductless Conversion Kit

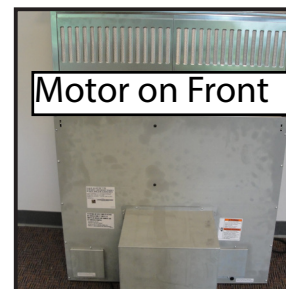
Converts the Scirocco Plus to ductless. The kit includes charcoal filters and a kick plate return register to vent back into the kitchen.

# MUDAMPER6 / MUDAMPER8/MUDAMER10 -

#### Universal Make-Up Air Damper

Satisfies make-up air requirements, this kit uses an air switch to activate the make-up air damper to open and bring fresh air into the home when the hood fan is on. It then closes tightly when the hood is off. The CFM level is not reduced with this accessory.

NOTE: MUDAMPER10 for use with 900/1200 cfm motors.



Motor on Front



Left Vent



Right Vent



Bottom Vent

### Venting Options



WARNING! Product specifications are subject to change without notification. Consult the installation instructions before you begin installing this range hood



Imagined in Italy