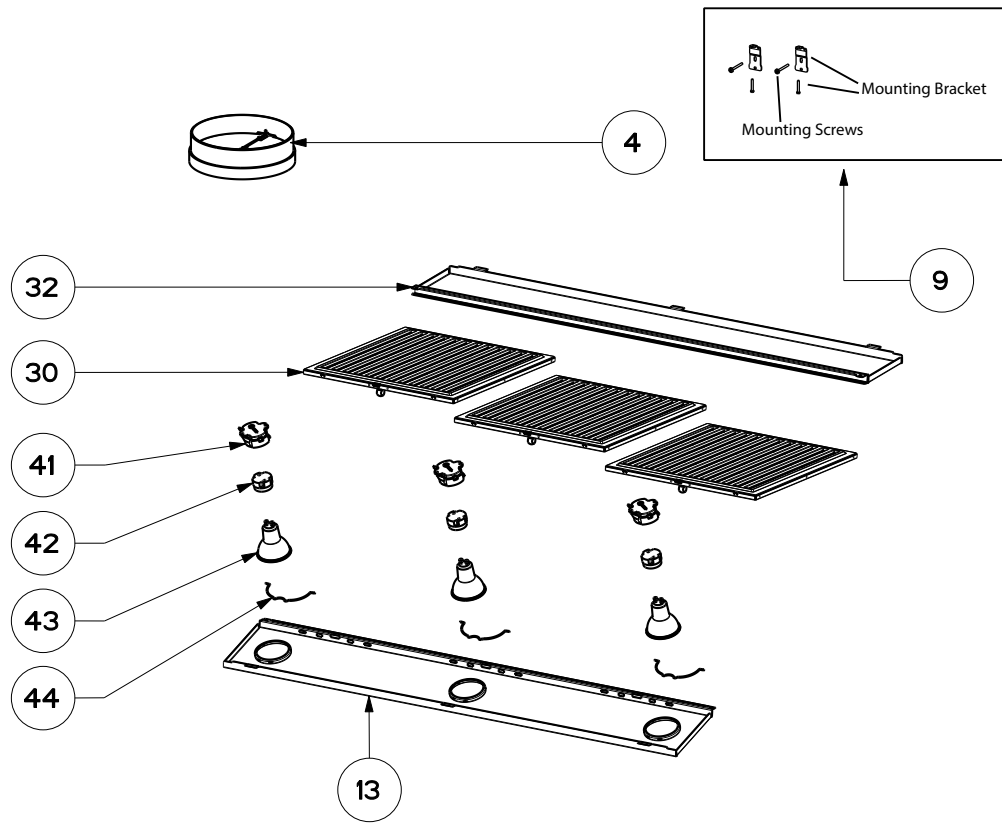


MAESTRALE 10

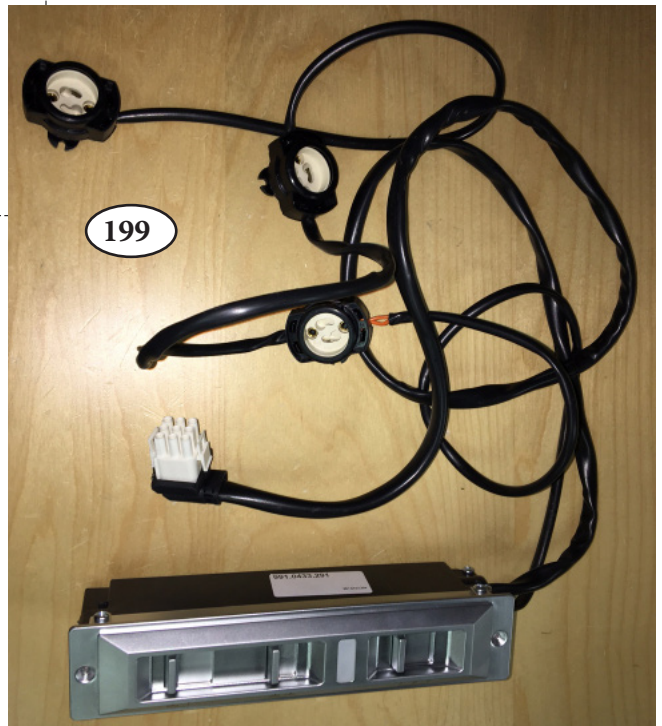
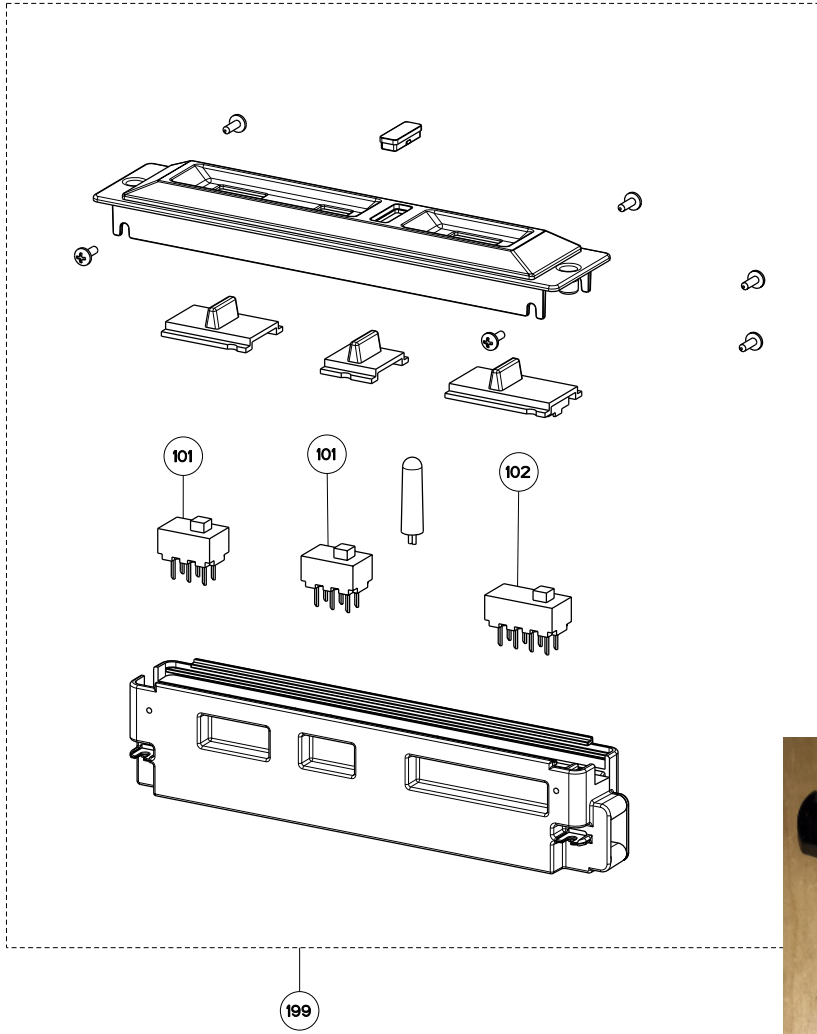
body components



	Model Number	MAES3010SS600-B	MAES3610SS600-B	MAES4210SS600-B	
Key	Description	30 Stainless	36 Stainless	42 Stainless	Qty Req.
4	Damper	133.0055.994	133.0055.994	133.0055.994	1
9	Mounting Kit	133.0084.484	133.0084.484	133.0084.484	1
13	Lamp Support	133.0396.002	133.0433.376	133.0433.376	1
30	Baffle Filter	133.0018.482	133.0018.482	133.0018.482	2 (30) 3 (36,42)
32	Filter Support	133.0396.003	133.0433.377	133.0433.377	1
41	Lampholder support	133.0198.226	133.0198.226	133.0198.226	1 (30) 2 (36,42)
42	Lamp Holder	133.0380.507	133.0380.507	133.0380.507	1 (30) 2 (36,42)
43	LED bulb	133.0396.001	133.0396.001	133.0396.001	2 (30) 3 (36,42)
44	Bulb Clip	133.0200.447	133.0200.447	133.0200.447	1 (30) 2 (36,42)

MAESTRALE 10

switch components

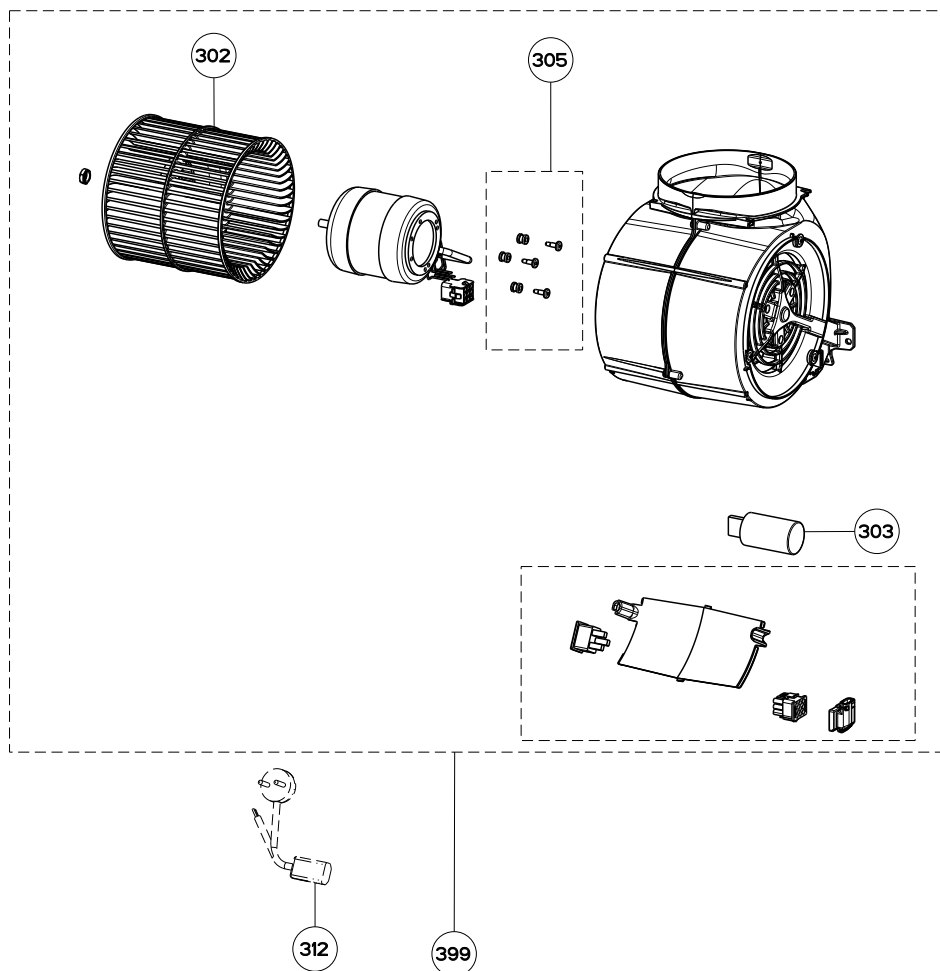


#199 kit picture shown is 36 / 42” model,
30” model uses two lamp holders

	Model Number	MAES3010SS600-B	MAES3610SS600-B	MAES4210SS600-B	
Key	Description	30 Stainless	36 Stainless	42 Stainless	Qty Req.
101	On / Off Switch	133.0054.536	133.0054.536	133.0054.536	1
102	Switch	133.0054.538	133.0054.538	133.0054.538	1
199	Switch Kit	133.0396.004	133.0433.375	133.0433.375	1

MAESTRALE 10

motor components



	Model Number	MAES3010SS600-B	MAES3610SS600-B	MAES4210SS600-B	
Key	Description	30 Stainless	36 Stainless	42 Stainless	Qty Req.
302	Impeller	133.0151.809	133.0151.809	133.0151.809	1
303	Capacitor	133.0060.648	133.0060.648	133.0060.648	1
305	Motor Rubber Mount	133.0051.604	133.0051.604	133.0051.604	1
312	Power Cord	133.0381.468	133.0381.468	133.0381.468	1
399	Motor Kit	133.0396.005	133.0396.005	133.0396.005	1