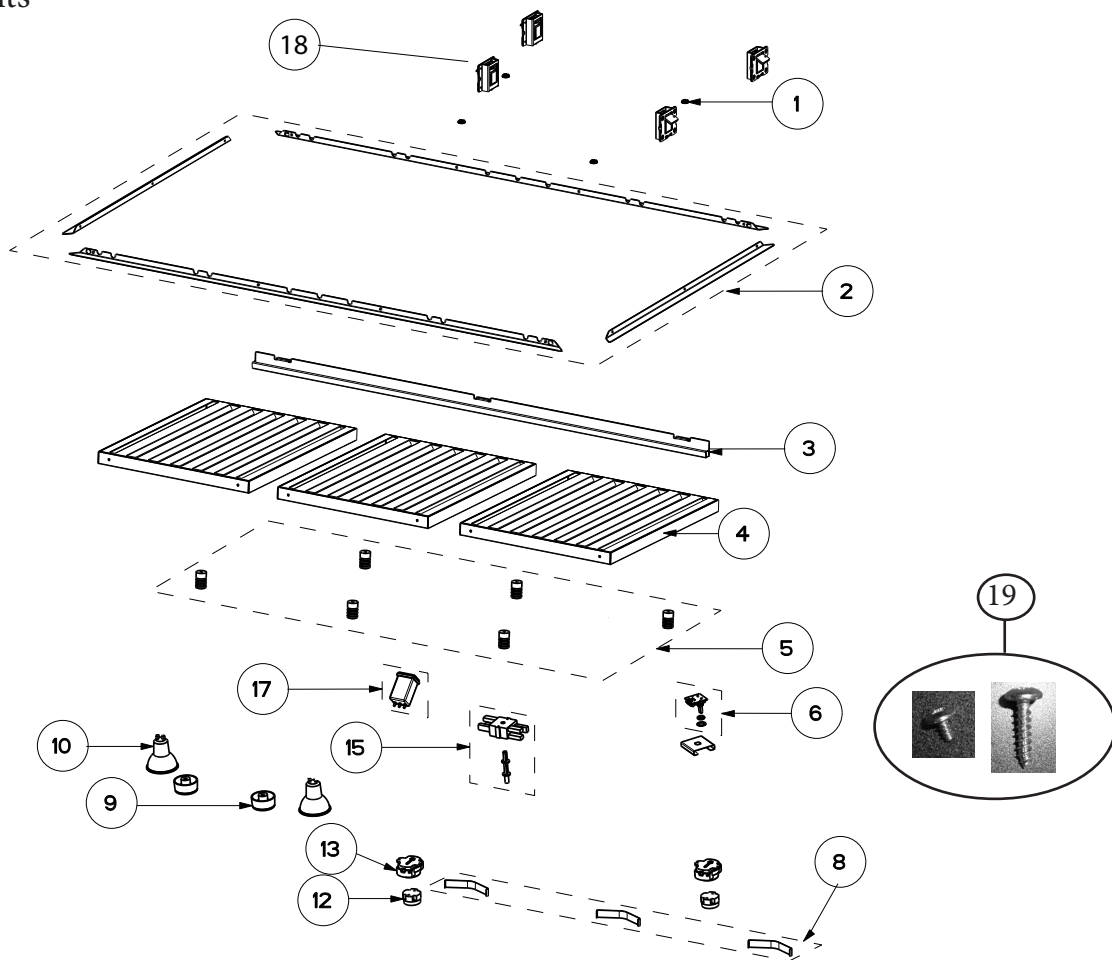
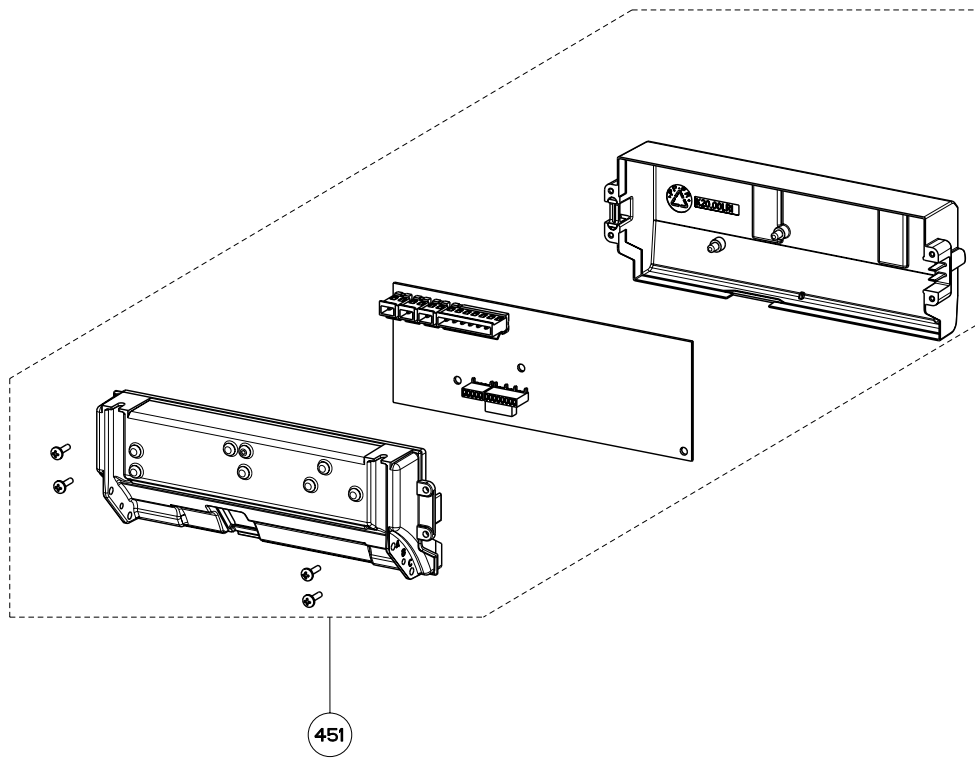


body components



Key	Model Number	INPL3019SSNB-B	INPL3619SSNB-B	INPL3622SSNB-B	INPL4219SSNB-B	INPL4819SSNB-B	INPL4822SSNB-B	Qty Req.
1	Plastic Covers	133.0017.608	133.0017.608	133.0017.608	133.0017.608	133.0017.608	133.0017.608	1
2	Trim Kit	133.0463.972	133.0463.737	133.0463.908	133.0463.940	133.0463.969	133.0463.970	1
3	Grease Rail	133.0463.973	133.0183.288	133.0183.288	133.0183.288	133.0183.289	133.0183.289	1
4	Grease Filter	133.0176.904	133.0176.904	133.0176.904	133.0176.904	133.0176.904	133.0176.904	2 (30), 3 (36,42), 4 (48)
5	Grease Filter knobs (with screws)	133.0176.905	133.0176.905	133.0176.905	133.0176.905	133.0176.905	133.0176.905	2 (30), 3 (36,42), 4 (48)
6	Speed Control	133.0505.648	133.0505.648	133.0505.648	133.0505.648	133.0505.648	133.0505.648	1
8	Grease Filter Springs	133.0176.900	133.0176.900	133.0176.900	133.0176.900	133.0176.900	133.0176.900	1
9	Control Knobs	133.0176.901	133.0176.901	133.0176.901	133.0176.901	133.0176.901	133.0176.901	2
10	LED bulb	133.0396.001	133.0396.001	133.0396.001	133.0396.001	133.0396.001	133.0396.001	2 (30,36,42) 4 (48")
12	Lampholder	133.0505.649	133.0505.649	133.0505.649	133.0505.649	133.0505.649	133.0505.649	1 (30,36,42) 2 (48")
13	Lampholder support	133.0198.226	133.0198.226	133.0198.226	133.0198.226	133.0198.226	133.0198.226	2 (30,36,42) 4 (48")
15	Light Control	133.0506.873	133.0506.873	133.0506.873	133.0506.873	133.0506.873	133.0506.873	1
17	Electronic (EMC) filter	133.0505.608	133.0505.608	133.0505.608	133.0505.608	133.0505.608	133.0505.608	1
18	Hinge Clips Kit (2 in kit)	133.0078.993	133.0078.993	133.0078.993	133.0078.993	133.0078.993	133.0078.993	2
19	Installation Hardware	133.0520.950	133.0520.950	133.0520.950	133.0520.950	133.0520.950	133.0520.950	1

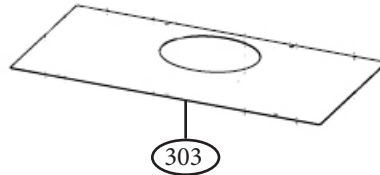
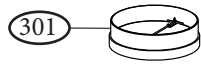
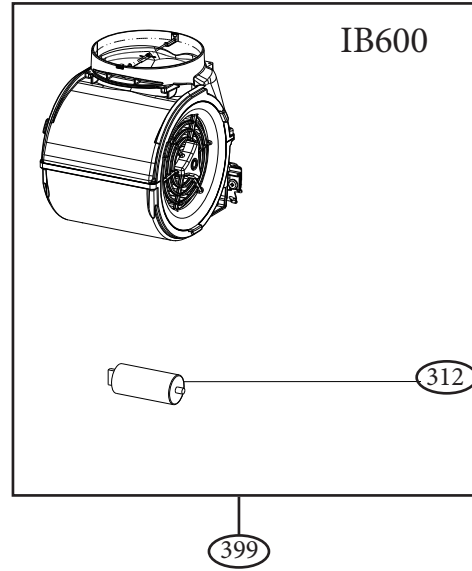
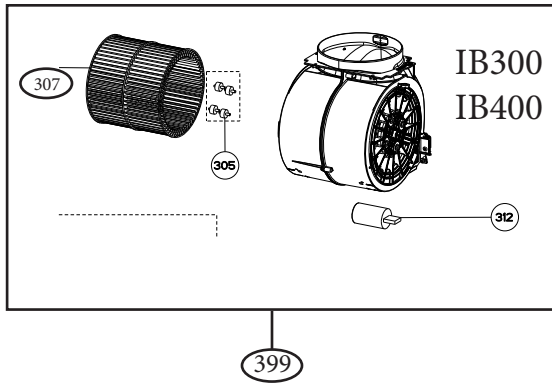
control board components



	Model Number	INPL3019SSNB-B	INPL3619SSNB-B	INPL3622SSNB-B	INPL4219SSNB-B	INPL4819SSNB-B	INPL4822SSNB-B	
Key	Description	30 x 19	36 x 19	36 x 22	42 x 19	48 x 19	48 x 22	Qty Req.
451	Control Board	133.0505.652	133.0505.652	133.0505.652	133.0505.652	133.0505.652	133.0505.652	1

# INCA PRO PLUS IB300 /IB400/ IB600 MOTOR - 1 motor

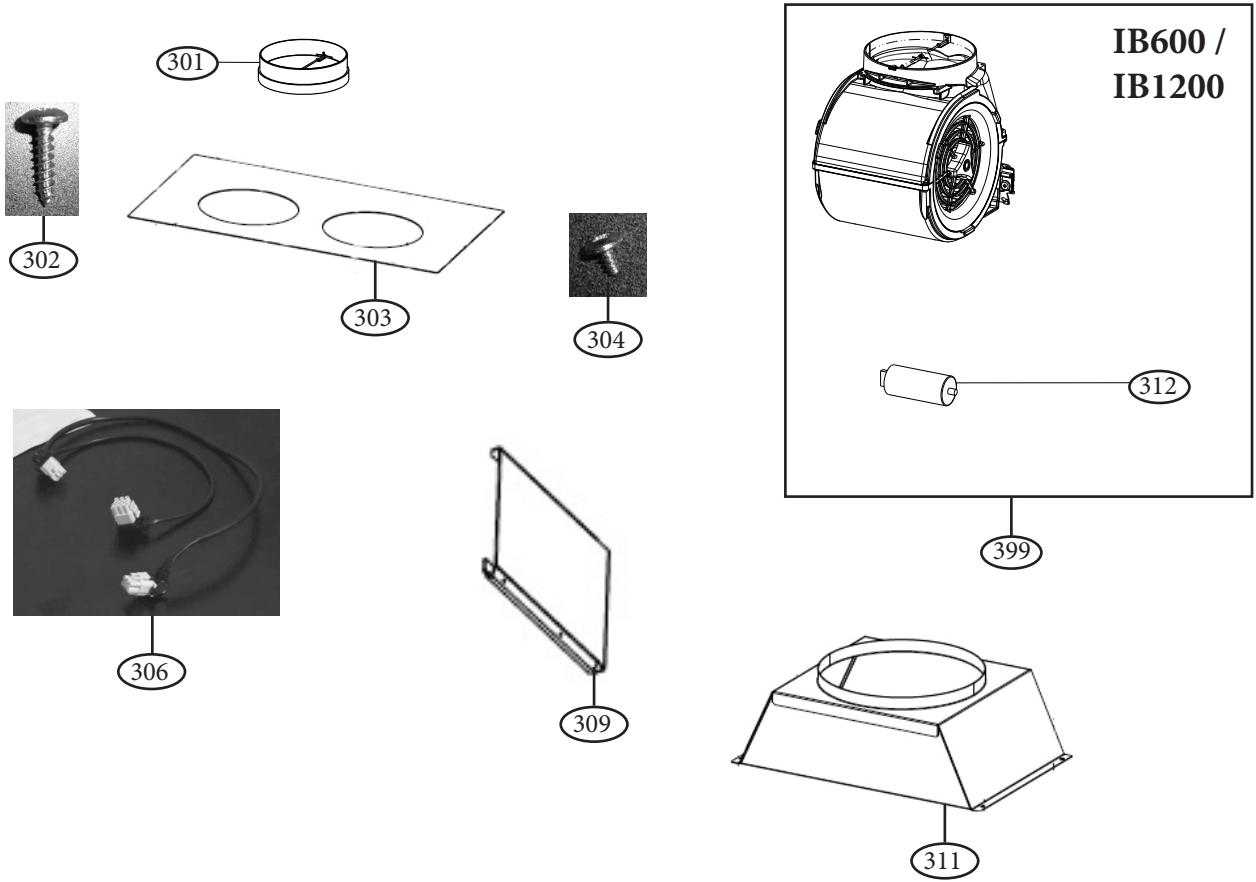
## motor components



	Model Number	IB300	IB400	IB600	
Key	Description	300 cfm motor	400 cfm motor	600 cfm motor	Qty Req.
301	Damper	133.0055.994	133.0055.994	133.0055.994	1
302	Duct Plate Screws	133.0189.390	133.0189.390	133.0189.390	1
303	Duct Plate	133.0189.421	133.0189.421	133.0189.421	1
304	Motor Installation Screws	133.0189.422	133.0189.422	133.0189.422	1
305	Rubber Motor Mount	133.0051.603	133.0051.603		1
306	Control Connector Cable	133.0189.423	133.0189.423	133.0189.423	1
307	Impeller	133.0052.519	133.0052.519		1
312	Capacitor	133.0060.648	133.0060.648	133.0060.648	1
399	Motor Group	<b>133.0178.492</b>	<b>133.0052.518</b>	<b>133.0200.468</b>	1

# INCA PRO PLUS IB1200 MOTOR - 2 motors

## motor components



	Model Number	IB1200	
Key	Description	1200 cfm motor	Qty Req.
301	Damper	133.0055.994	2
302	Duct Plate Screws	133.0189.390	1
303	Duct Plate	133.0189.431	1
304	Motor Installation Screws	133.0189.422	2
306	Control Connector Cable	133.0189.428	1
309	Motor Mounting Plate	133.0189.430	1
311	10" Duct Transition	133.0189.429	1
312	Capacitor	133.0060.648	2
399	Motor Group (replace 2 blowers)	133.0200.468	2

Note: Motor need to be replaced in pairs for IB 1200.