

## DOWN DRAFT

Installation Instructions  
Use and Care Information  
Instructions d'installation  
Utilisez et d'entretien

**SCIR3014SSNB-B**  
**SCIR3614SSNB-B**

# READ AND SAVE THESE INSTRUCTIONS BEFORE YOU START INSTALLING THIS RANGEHOOD

## **WARNING: - TO REDUCE THE RISK OF A RANGE TOP GREASE FIRE:**

- a) Never leave surface units unattended at high settings. Boilovers cause smoking and greasy spillovers that may ignite. Heat oils slowly on low or medium setting.
- b) Always turn hood ON when cooking at high heat or when flambeing food (i.e. Crepes Suzette, Cherries Jubilee, Peppercorn Beef Flambé).
- c) Clean ventilating fans frequently. Grease should not be allowed to accumulate on fan or filter.
- d) Use proper pan size. Always use cookware appropriate for the size of the surface element.

## **WARNING: - TO REDUCE THE RISK OF INJURY TO PERSONS IN THE EVENT OF A RANGE TOP GREASE FIRE, OBSERVE THE FOLLOWING\*:**

- a) **SMOTHER FLAMES** with a close-fitting lid, cookie sheet, or metal tray, then turn off the burner. **BE CAREFUL TO PREVENT BURNS.** If the flames do not go out immediately **EVACUATE AND CALL THE FIRE DEPARTMENT.**
- b) **NEVER PICK UP A FLAMING PAN** - You may be burned.
- c) **DO NOT USE WATER**, including wet dishcloths or towels - a violent steam explosion will result.
- d) Use an extinguisher **ONLY** if:
  - 1. You know you have a Class ABC extinguisher, and you already know how to operate it.
  - 2. The fire is small and contained in the area where it started.
  - 3. The fire department is being called.
  - 4. You can fight the fire with your back to an exit.

\* Based on "Kitchen Firesafety Tips" published by NFPA

**WARNING - TO REDUCE THE RISK OF FIRE OR ELECTRIC SHOCK, do not use this fan with any solid-state speed control device.**

## **WARNING - TO REDUCE THE RISK OF FIRE, ELECTRICAL SHOCK, OR INJURY TO PERSONS, OBSERVE THE FOLLOWING:**

- 1. Use this unit only in the manner intended by the manufacturer. If you have any questions, contact the manufacturer.
- 2. Before servicing or cleaning unit, switch power off at service panel and lock the service disconnecting means to prevent power from being switched on accidentally. When the service disconnecting means cannot be locked, securely fasten a prominent warning device, such as a tag, to the service panel.

**CAUTION: For General Ventilating Use Only. Do Not Use To Exhaust Hazardous or Explosive Materials and Vapors.**

## **WARNING - TO REDUCE THE RISK OF FIRE, ELECTRICAL SHOCK, OR INJURY TO PERSONS, OBSERVE THE FOLLOWING:**

- 1. Installation Work And Electrical Wiring Must Be Done By Qualified Person(s) In Accordance With All Applicable Codes And Standards, Including Fire-Rated Construction.
- 2. Sufficient air is needed for proper combustion and exhausting of gases through the flue (chimney) of fuel burning equipment to prevent backdrafting. Follow the heating equipment manufacturer's guideline and safety standards such as those published by the National Fire Protection Association (NFPA), and the American Society for Heating, Refrigeration and Air Conditioning Engineers (ASHRAE), and the local code authorities.

3. **When cutting or drilling into wall or ceiling, do not damage electrical wiring and other hidden utilities.**
4. **Ducted fans must always be vented to the outdoors.**

### VENTING REQUIREMENTS

Determine which venting method is best for your application. Ductwork can extend either through the wall or the roof.

The length of the ductwork and the number of elbows should be kept to a minimum to provide efficient performance. The size of the ductwork should be uniform. Do not install two elbows together. Use duct tape to seal all joints in the ductwork system. Use caulking to seal exterior wall or floor opening around the cap.

**Flexible ductwork is not recommended. Flexible ductwork creates back pressure and air turbulence that greatly reduces performance.**

Make sure there is proper clearance within the wall or floor for exhaust duct before making cutouts. Do not cut a joist or stud unless absolutely necessary. If a joist or stud must be cut, then a supporting frame must be constructed.

**WARNING - To Reduce The Risk Of Fire, Use Only Metal Ductwork.**

**CAUTION - To reduce risk of fire and to properly exhaust air, be sure to duct air outside – Do not vent exhaust air into spaces within walls or ceilings or into attics, crawl spaces, or garages.**

### Cold Weather installations

An additional back draft damper should be installed to minimize backward cold air flow and a nonmetallic thermal break should be installed to minimize conduction of outside temperatures as part of the vent system. The damper should be on the cold air side of the thermal break. The break should be as close as possible to where the vent system enters the heated portion of the house.



## WARNING

- Venting system **MUST** terminate outside the home.
- **DO NOT** terminate the ductwork in an attic or other enclosed space.
- **DO NOT** use 4" laundry-type wall caps.
- Flexible-type ductwork is not recommended.
- **DO NOT** obstruct the flow of combustion and ventilation air.
- Failure to follow venting requirements may result in a fire.

## ELECTRICAL REQUIREMENTS

A 120 volt, 60 Hz AC-only electrical supply is required on a separate 15 amp fused circuit. A time-delay fuse or circuit breaker is recommended. The fuse must be sized per local codes in accordance with the electrical rating of this unit as specified on the serial/rating plate located inside the unit near the field wiring compartment.

### ELECTRICAL INSTALLATION WITH WIRING BOX

THIS UNIT MUST BE CONNECTED WITH COPPER WIRE ONLY. Wire sizes must conform to the requirements of the National Electrical Code, ANSI/NFPA 70 - latest edition, and all local codes and ordinances. Wire size and connections must conform with the rating of the appliance. Copies of the standard listed above may be obtained from:

National Fire Protection Association  
Batterymarch Park  
Quincy, Massachusetts 02269

This appliance should be connected directly to the fused disconnect (or circuit breaker) through flexible, armored or nonmetallic sheathed copper cable. Allow some slack in the cable so the appliance can be moved if servicing is ever necessary. A UL Listed, 1/2" conduit connector must be provided at each end of the power supply cable (at the appliance and at the junction box).

When making the electrical connection, cut a 1 1/4" hole in the wall. A hole cut through wood must be sanded until smooth. A hole through metal must have a grommet.



## WARNING

- Electrical ground is required on this rangehood.
- If cold water pipe is interrupted by plastic, nonmetallic gaskets or other materials, DO NOT use for grounding.
- DO NOT ground to a gas pipe.
- DO NOT have a fuse in the neutral or grounding circuit. A fuse in the neutral or grounding circuit could result in electrical shock.
- Check with a qualified electrician if you are in doubt as to whether the rangehood is properly grounded.
- Failure to follow electrical requirements may result in a fire.

**TOOLS NEEDED FOR INSTALLATION**

- Saber Saw or Jig Saw
- Drill
- 1 1/4" Wood Drill Bit
- Pliers
- Phillips Screwdriver
- Flat Blade Screwdriver
- Wire Stripper or Utility Knife
- Metal Snips
- Measuring Tape or Ruler
- Level
- Pencil
- Caulking Gun
- Duct Tape
- **7 MM Nut Driver**

**PARTS SUPPLIED FOR INSTALLATION**

- 6 Mounting Brackets (2 support legs, 2 under counter and 2 over-counter brackets)
- 2 End Caps
- 2 Stainless Grease Filters
- Stainless steel top strip
- Nuts to connect top strip
- Installation Screws
- 1 Literature Package

**PARTS NEEDED FOR INSTALLATION**

- 2 Conduit Connectors
- Power Supply Cable
- Wiring Cable - Optional Remote Blower Only
- 1 Wall or Roof Cap
- All Metal Ductwork

**CHOOSE A BLOWER TO PAIR WITH THE SCIROCCO PLUS**

- Internal Blower model #IBDD600-B
- Remote Blower model # RB900 OR RB1200
- Use your existing remote blower rated at max 2,8 Amp suitable for use with solid state variable speed control

**PLAN THE DUCTWORK**

The Scirocco Plus downdraft system is designed to offer wide flexibility in ducting. The interior blower can be ducted on the front or back of the downdraft unit in multiple directions: down, left, right or backwards (front side only) using a 6" round vent. The remote blower can be ducted from the front or back of the downdraft unit, pointing down using a 10" round vent.

The remote blower requires a separate wiring cable that should be installed at the same time that the ductwork is installed. For best results, 10" duct is recommended for the remote blower. A damper plate is included in the box with the downdraft package and must be attached over the opening of the front / back of the downdraft blower box. Remote blower can be mounted on either an outside wall or the roof of the home.

**CALCULATE THE DUCTRUN LENGTH**

The ductwork length should not exceed 55 equivalent feet for 6" duct, or 75 equivalent feet for 10" round duct. Calculate the length of the ductwork by adding the equivalent feet listed in **FIGURE 1** for each piece of duct in the complete system. An example is given in **FIGURE 2**.

For best results, use no more than three 90° elbows. Make sure that there is a minimum of 24" of straight duct between elbows if more than one is used. Do not install two elbows together. Round duct is recommended instead of rectangular duct especially if elbows are needed. For internal blower models, rectangular duct should be transitioned to 6" round as soon as possible.

45° Elbow	5.0 feet	9 Feet Straight Duct	9.0 feet
90° Elbow	7.0 feet	2 - 90° Elbows	14.0 feet
90° Flat Elbow	12.0 feet	Wall Cap	0.0 feet
Wall Cap	0.0 feet	Total System	23.0 feet

**FIGURE 1**

**FIGURE 2**


**GENERAL INSTALLATION GUIDELINES (IMPORTANT - READ BEFORE INSTALLATION)**

The Scirocco Plus is meant to be installed with residential use cook tops, cook tops / oven combinations, free standing ranges **WITHOUT** backguards and range tops. This product is not recommended for use with slide in ranges which may require additional space behind the range for oven venting OR with freestanding ranges **WITH** backguards. Always consult your cooking manufacturer installation instructions for cooking product dimensions and specific cfm needs.

**In the event of installations where the blower is located on the back of the unit, it is advised to leave an access door or opening to reach the bottom of the Scirocco Plus where the wiring box and motor is located should service be needed.**

**NOTE: When using this hood with a range top or free standing range with the motor box reversed behind the hood, a 3/4" clearance is required on the front of the hood to clear a duct plate and front edge of the down draft body. A filler strip may be needed on the counter top in this type of installation to cover this gap between the cooking surface and the hood.**

**CAUTION - To Reduce The Risk Of Fire And Electric Shock, Install This Rangehood Only With Remote Blower Models Rated Maximum 2,8 suitable for solid state speed control A Or Remote or Integral Blowers Manufactured by Faber listed above.**

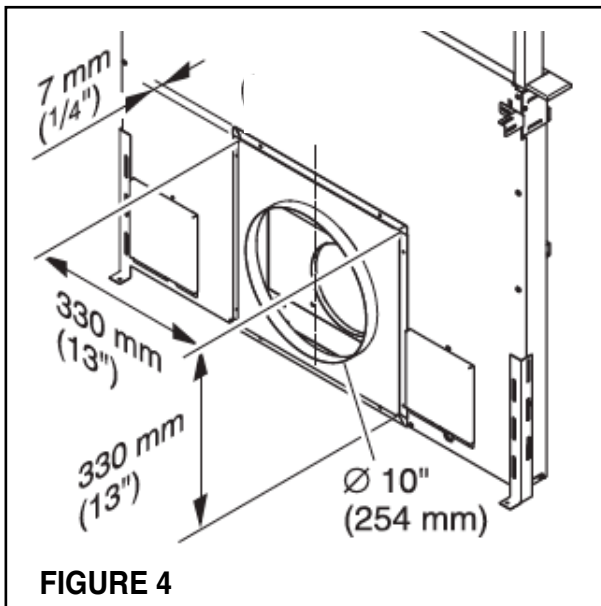
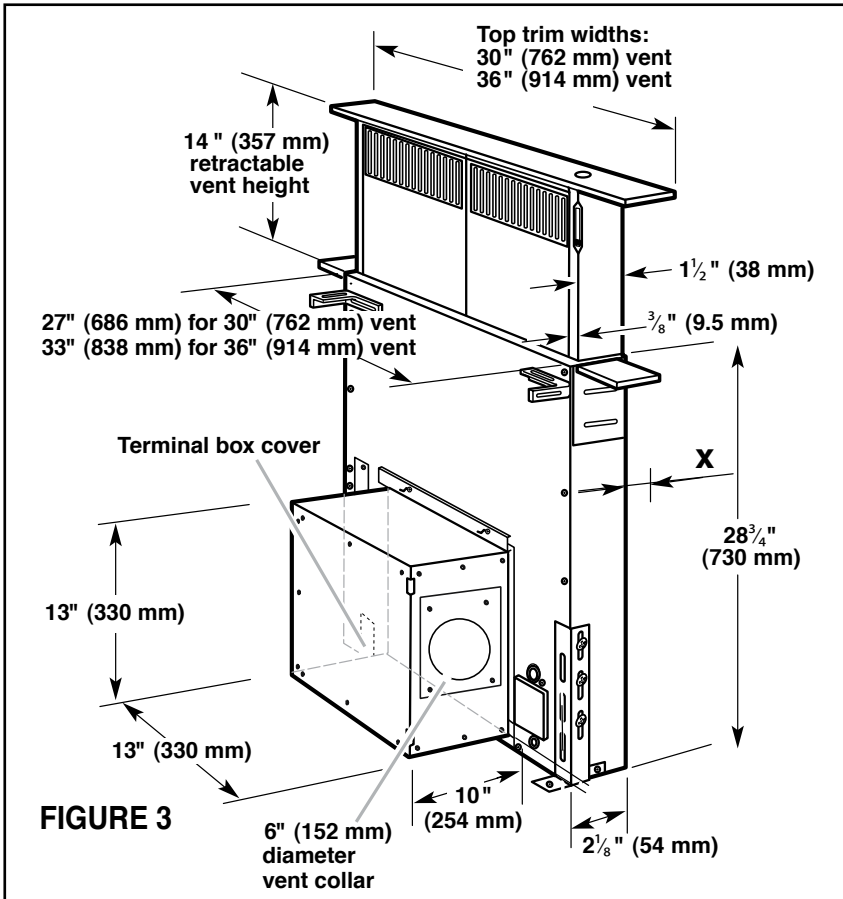
 **WARNING**

When planning the cutout for the downdraft:

- Draw both the cooktop and downdraft cutouts on the countertop before making any cuts.
- Check that there is enough room in the cabinet for both.

Failure to follow these warnings could result in damage to the countertop.

## PRODUCT DIMENSIONS



**FIGURE 3 - Dimensions with IBDD600-B Internal blower box**

The blower box can be mounted in such a way that the vent collar is aligned to the left, the right, downwards or towards the rear, as desired.

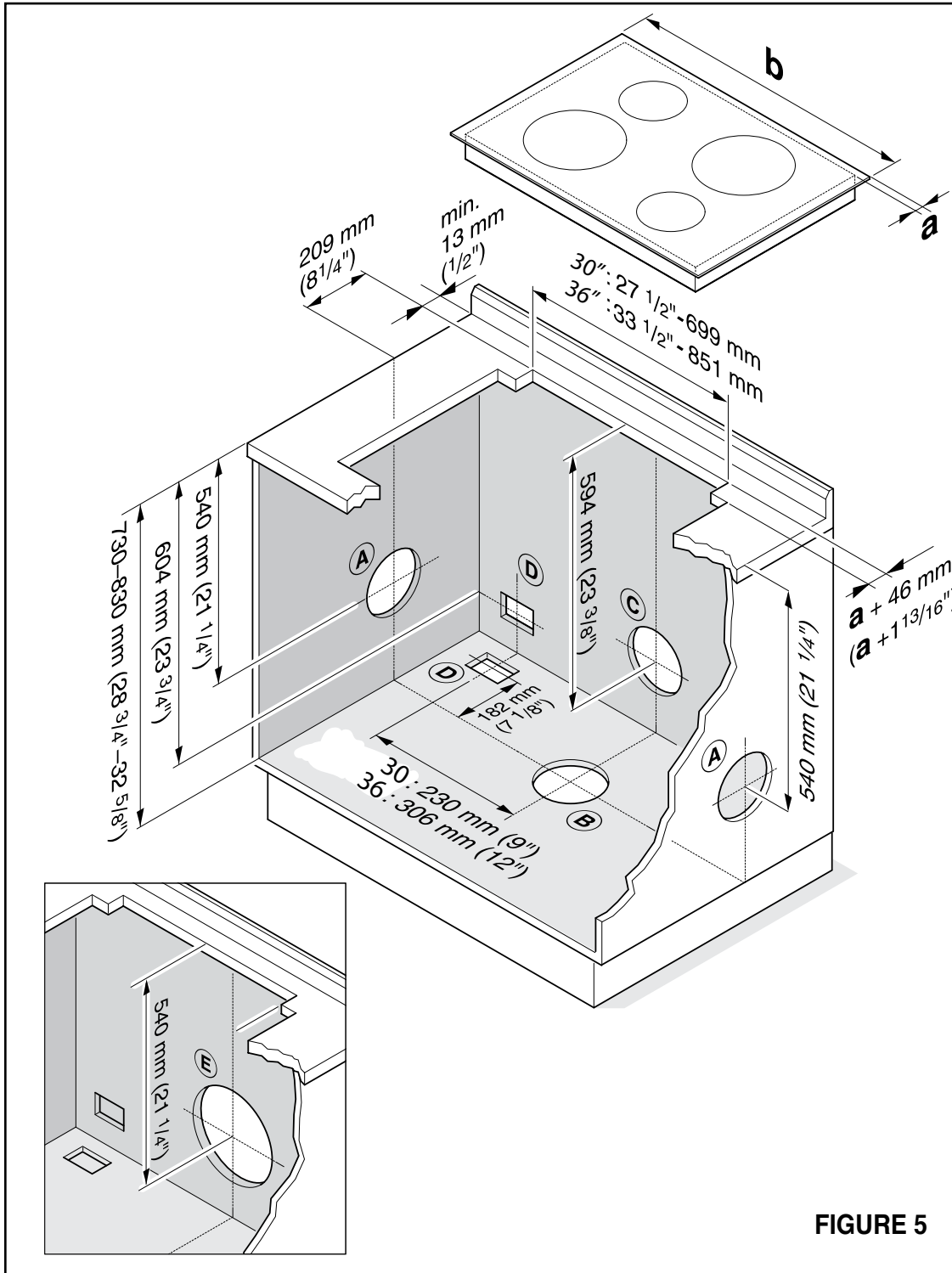
**FIGURE 4 - Connection plate when using the #RB900 or #RB1200 remote blower**

The blower or the connection plate can also be mounted in the same position on the rear of the appliance.

x in FIGURE 3 = Distance to the rear of the cabinet or wall. Must be a minimum of 1/2".

Exhaust duct connection diameters  
 IBDD600-B: . . . . . 6"  
 RB900 / RB1200: . . . . . 10"

## CABINET CUT OUT DIMENSIONS



**FIGURE 5**

**NOTE:**

**A** = Left, right IBDD600-B ducting

**B** = Ducting IBDD600-B down

**C** = Ducting IBDD600-B to the rear

**D** = Power cord cut out for Remote Blower

**E** = 10" Ducting for Remote Blower

**a** = Cooktop overhang

**b** = Minimum width of the cooktop:

30" : 28" (711 mm)

36" : 34" (864 mm)

## PRODUCT DIMENSIONS

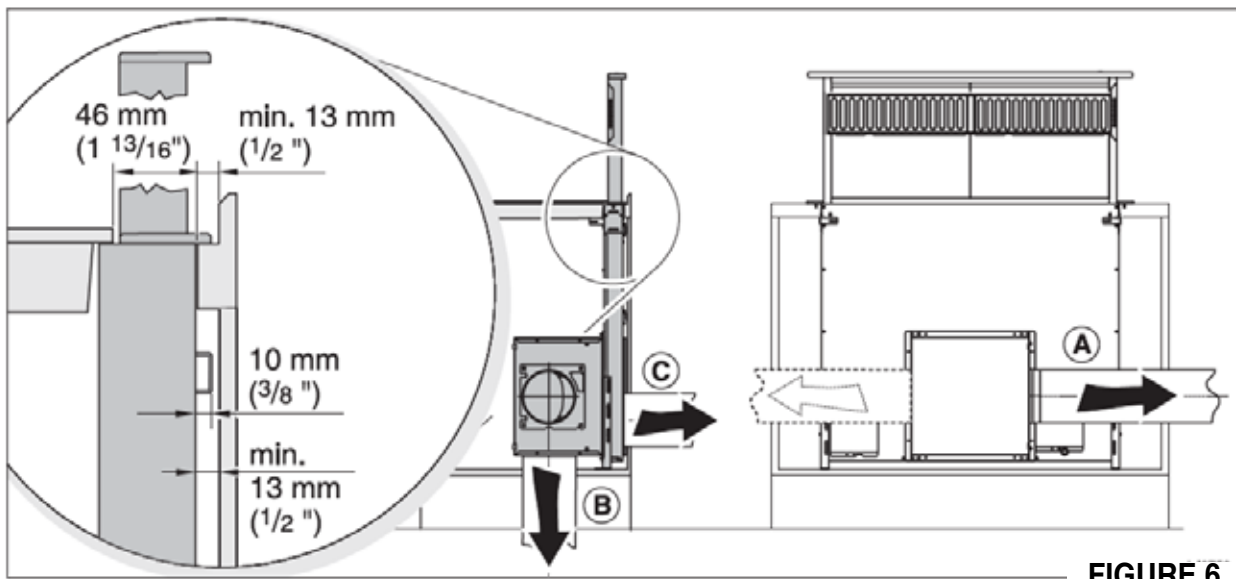


FIGURE 6

See the previous page with FIGURE 5, and FIGURE 6 above for reference. When using the IBDD600-B internal blower installed on the front of the appliance use 6" Round ducting. Holes for ducting are shown on FIGURE 5, 6:(A) to the left or right (B) downwards, (C) to the rear. If the blower is being installed to the rear of the appliance, a cut-out must be made in the rear of the cabinet or wall where it will be mounted and the appropriate clearances must be maintained behind the cabinet.

See FIGURE 5, (D) Feed the power cord and control cable downwards or to the rear when using an remote blower.

See FIGURE 5 (E) When using the remote blower, install 10" ducting to the rear. If installing the exhaust ducting to the front, appropriate clearances must be maintained in the cabinet.

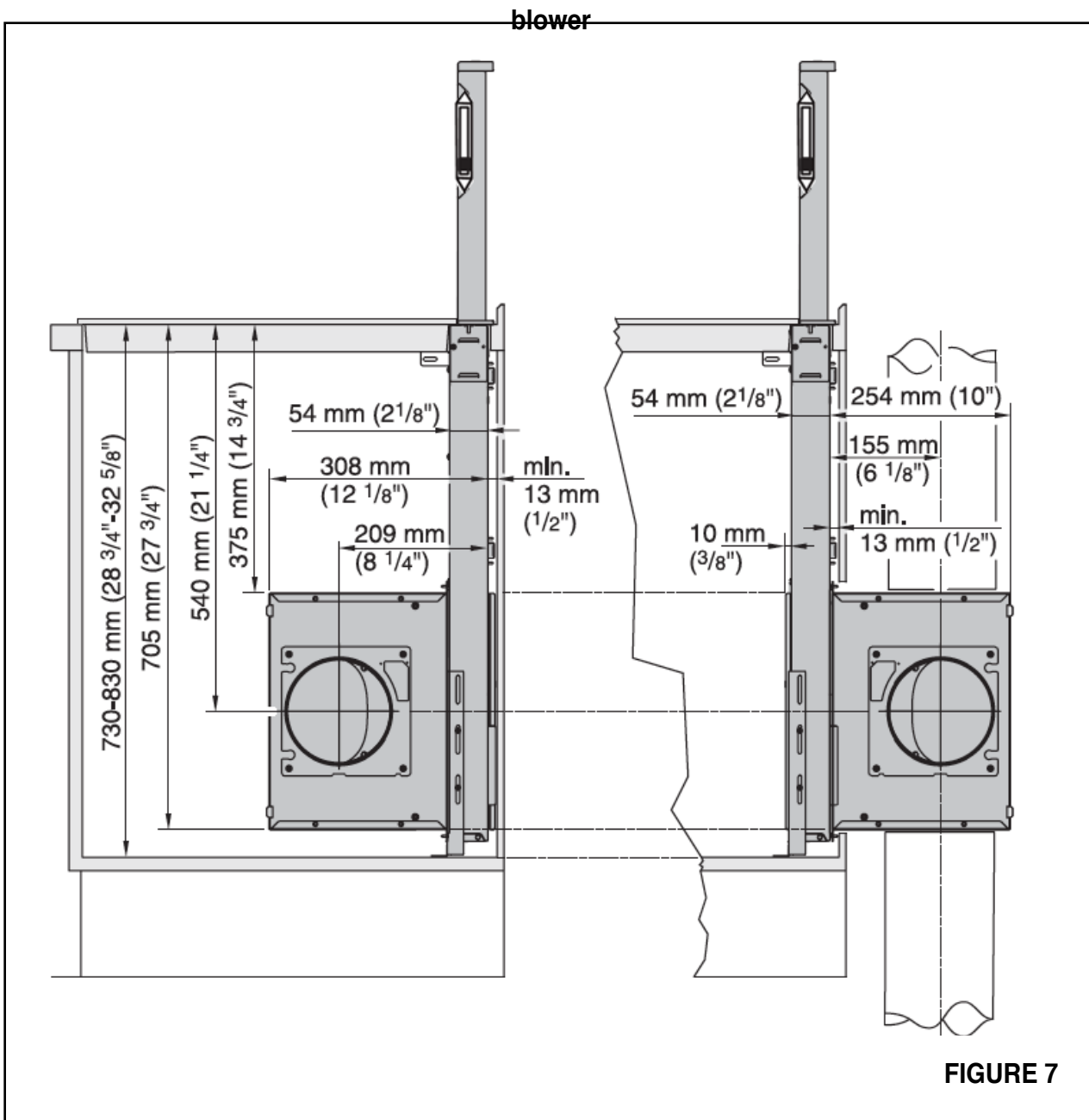
## INSTALLATION NOTES

- The specified dimensions minimum cut-out dimensions must be observed.
- If an oven or stove is installed before the ventilation system, read the associated installation instructions. Note all installation dimensions and guidelines regarding ventilation systems.
- Be aware of kitchen cabinets, back splashes and/or racks in the area of the ventilation system and the cooktop. Ensure that the area where the vent rises is free of obstacles.
- Make sure that any required minimum distance between the front edge of the countertop and the front edge of the cooktop is maintained.
- If there is a cabinet drawer in the way, it must be shortened or removed. The front panel of the drawer could also be installed to permanently cover the drawer cut-out.



## PRODUCT DIMENSIONS

### Installation using the IBDD600-B internal



**NOTE:**

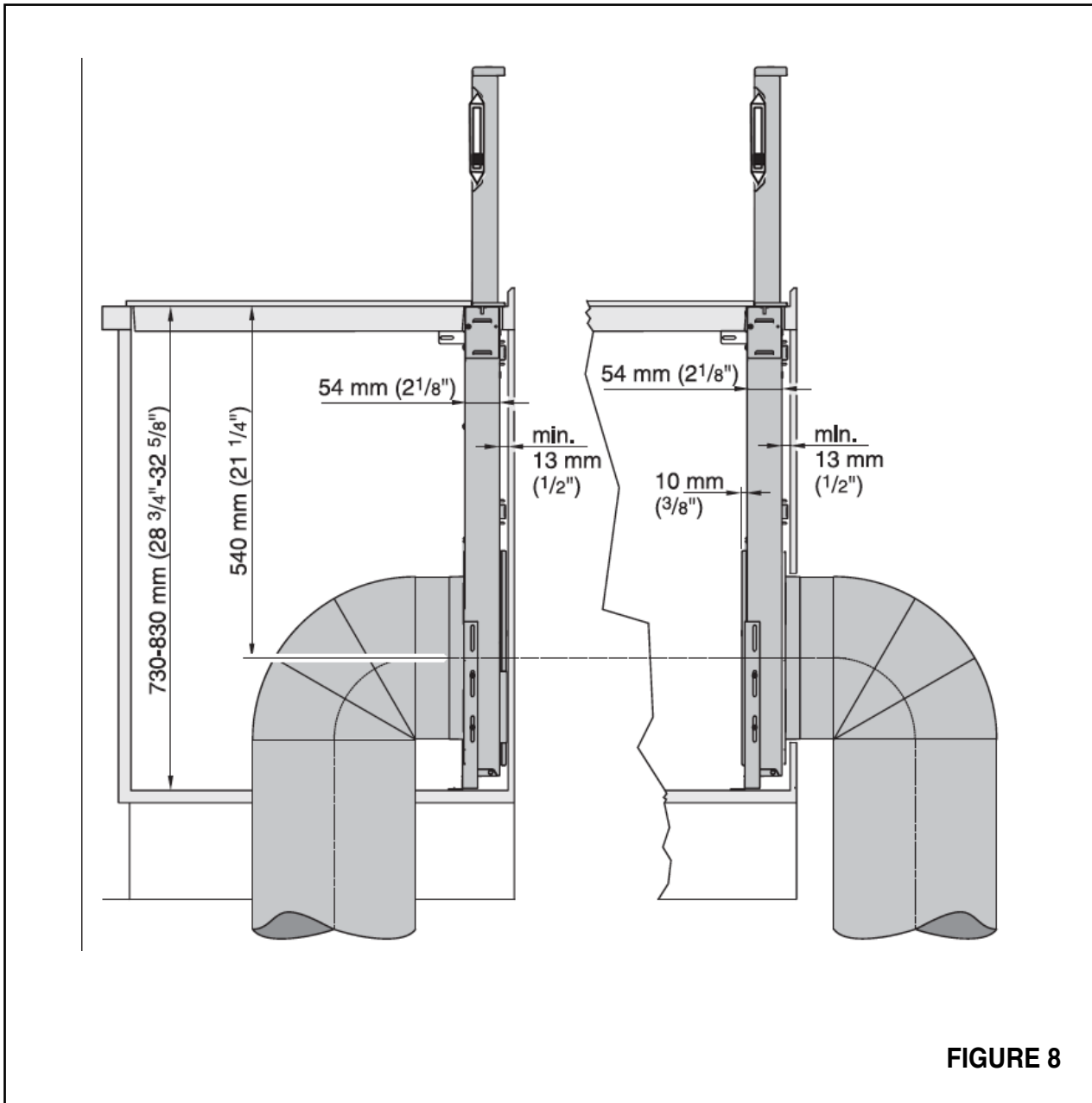
Left side of diagram shows the IBDD600-B mounted in front of the Scirocco Plus

Right Side of the diagram shows the IBDD600-B mounted behind the Scirocco Plus. The blower must be accessible to install the ductwork

**Note: When using with cooking appliances other than cook tops which require reversing the motor box to the back, a 3/4" clearance on front of the Scirocco is needed to clear a duct plate and front edge of the down draft body.**

## PRODUCT DIMENSIONS

### Installation using the remote blower



**NOTE:**

Left side of diagram shows the remote blower ducting to the outside in front of the Scirocco Plus

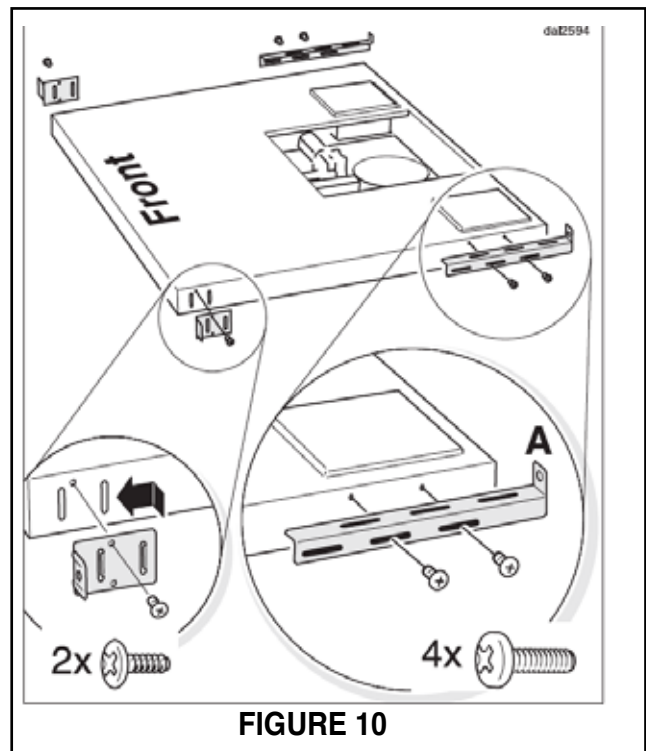
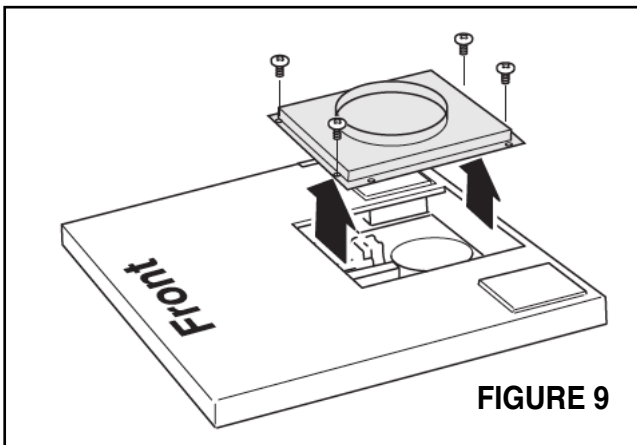
Right side of the diagram shows the remote blower ducting to the rear of the Scirocco Plus. **Note that the back must be accessible to install ductwork.**

***Note: When using with cooking appliances other than cook tops which require reversing the motor box to the back, a 3/4" clearance on front of the Scirocco is needed to clear a duct plate and front edge of the down draft body.***

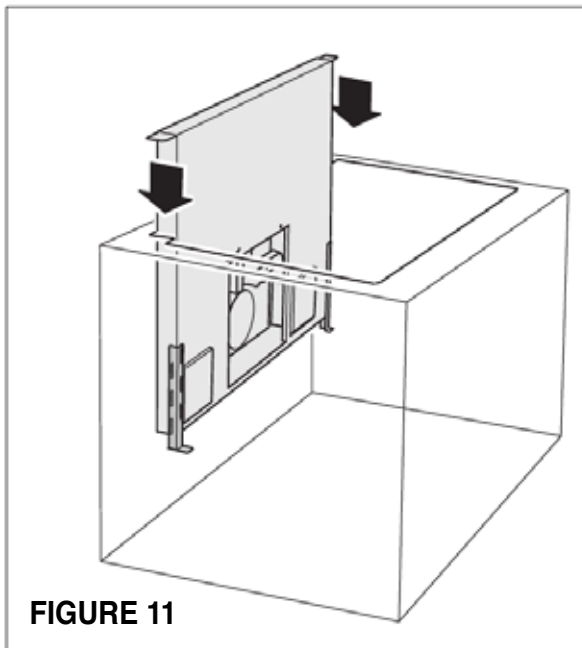
## PRODUCT INSTALLATION

### PLEASE READ SAFETY AND PRODUCT DIMENSIONS PAGES BEFORE PROCEEDING WITH INSTALLATION

- 1) The downdraft system is installed directly behind the cooktop. For easiest installation, install the ventilation system first, then the cooktop. The ventilation system **must not be installed** in an area where there are strong drafts, for instance near windows, doors, etc.
- 2) Remove the 10" round connection plate from the front of the downdraft (FIGURE 9)
- 3) Put the top mounting brackets in place with screws. (FIGURE 10)
- 4) Screw the bottom mounting brackets (A in FIGURE 10) to the side of the housing using 2 screws each. **Do not tighten the screws.** The brackets are different for the right and the left side. Attach them with mounting clip "A" pointing up.

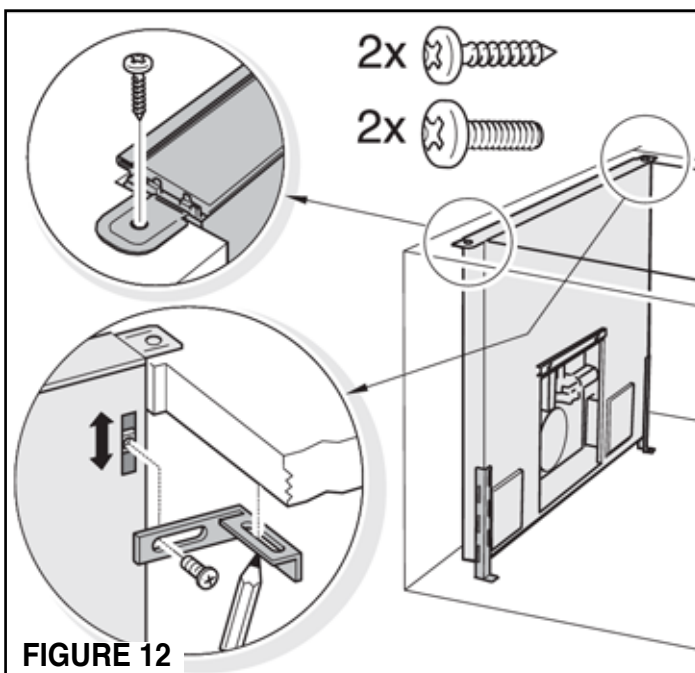


## PRODUCT INSTALLATION

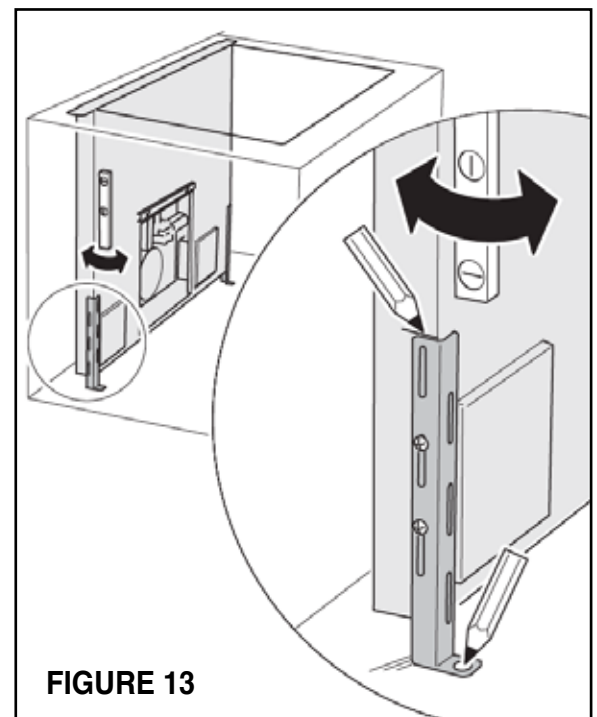


5) With the assistance of another person, lift the hood into the prepared cut out in the cabinet. The top mounting brackets should rest on the countertop. (FIGURE 11)

6) Secure the hood to the countertop with two screws. If possible, install the angle brackets underneath the countertop for additional support. First, loosely screw the brackets into the sliding nuts in the housing and push them up under the countertop. Pre-drill the mounting holes into the countertop from underneath. Use screws of the proper length. (FIGURE 12)



7) (See FIGURE 13) Level and align the hood in the cabinet. Push the bottom mounting bracket on each side down against the cabinet floor. Mark the top edge of the mounting bracket on the housing and the mounting holes on the cabinet floor.



## PRODUCT INSTALLATION CONTINUED

8) Remove the screws from the countertop and lift the hood back out of the cabinet. Pre-drill the marked mounting holes in the cabinet floor.

9) Tighten the mounting brackets on the hood at the pre-marked positions

10) Lay the hood on the floor on a protected surface to prevent damage in order to install the motor. At this point the ductwork venting direction should be decided (thru the floor, right, left or thru the rear of the cabinet).

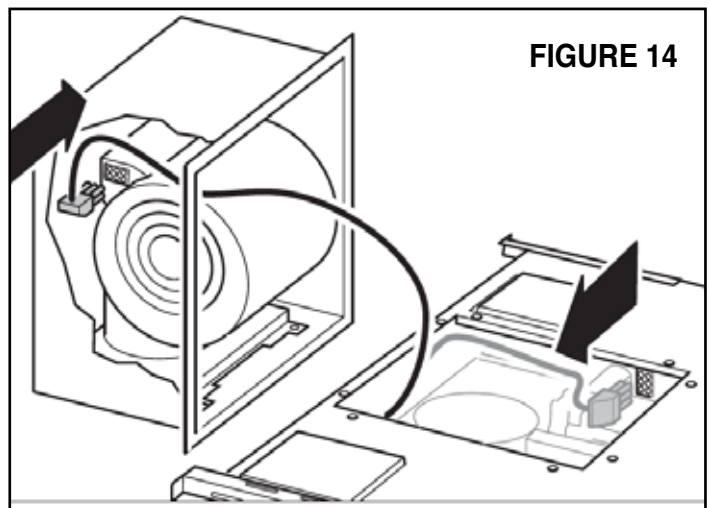
**IF USING A REMOTE BLOWER, TURN TO "REMOTE BLOWER INSTALLATION ON PAGE 15**

- See FIGURE 14 for venting left, right or down. Disconnect the cable from inside the hood. Plug in that same cable from the hood into the motor kit.

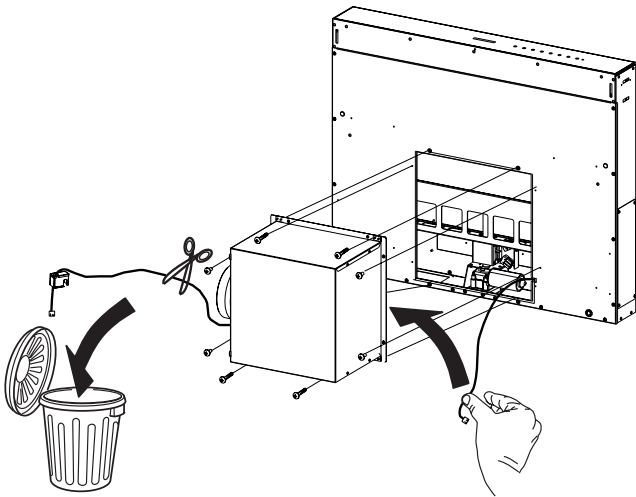
- Turn the venting collar on the blower box to the desired direction - left, right or down.

- Mount the blower box to the housing using 4 screws (FIGURE 15)

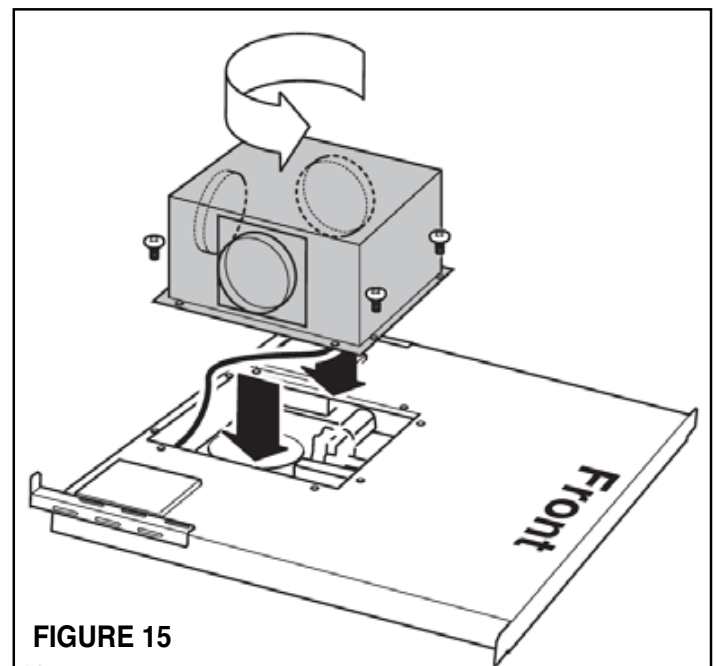
**Continue to Page 14 for Electrical Connections**



### INSTALLING IBDD600-B IN FRONT OF THE HOOD



- Cut the cable both internally and externally to the metallic case.
- Disconnect the connector from the blower.
- Throw away the two pieces of cable.
- Use the cable from the hood to power the motor.

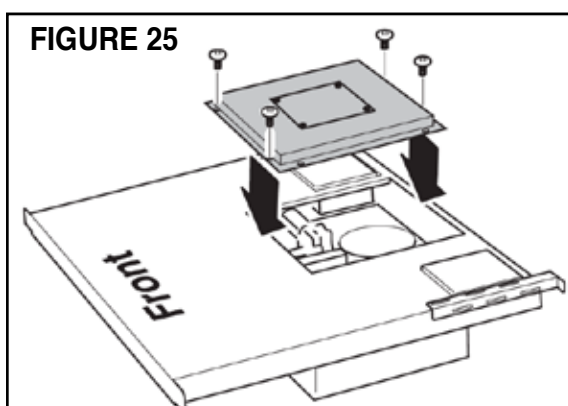
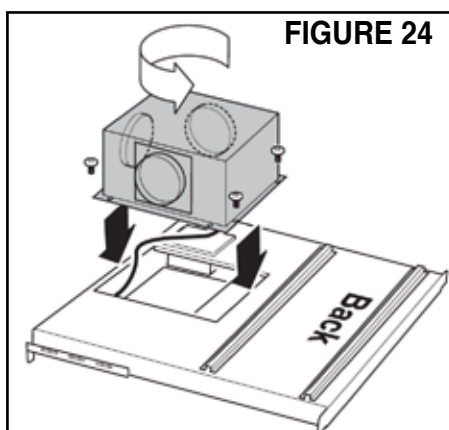
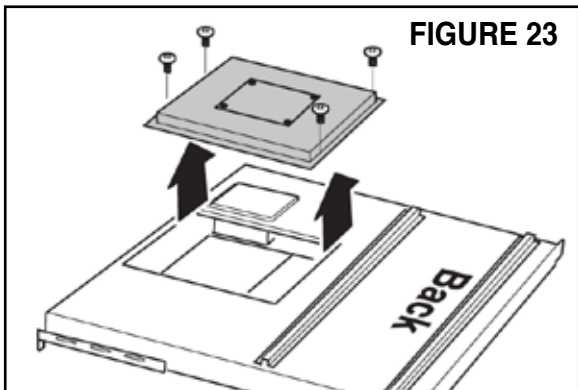


## PRODUCT INSTALLATION

### INSTALLING IBDD600-B IN BACK OF THE HOOD

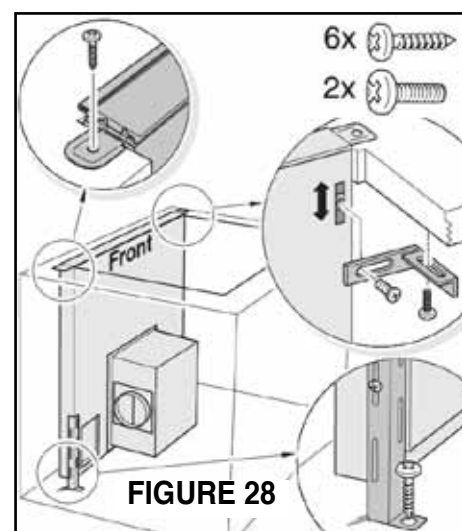
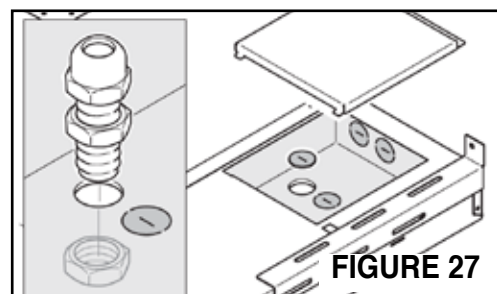
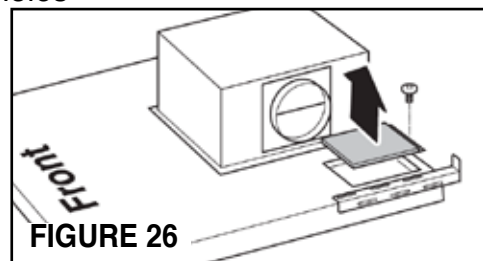
The blower box can also be installed on the back of the hood to accommodate the installation of a cooking range, range top or wall oven / cook top in front of the hood.

- Remove the large cover on the back of the hood. (FIGURE 23)
- Turn the venting collar on the blower box to the desired direction - left, right, down. Plug in the wiring cable from the motor kit to the hood and Mount the blower box to the housing using 4 screws . (FIGURE 24)
- When finished, mount the previously removed cover onto the front of the unit (FIGURE 25)



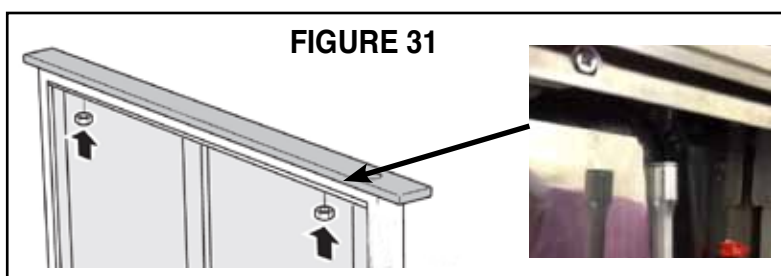
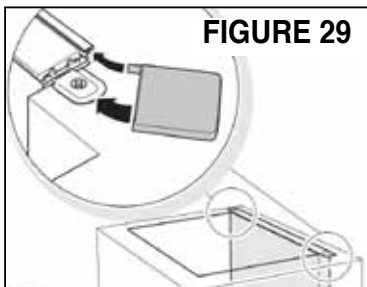
### PREPARE ELECTRICAL CONNECTION

- Remove the cover of the terminal box (FIGURE 26)
- Decide whether the power source should enter the hood from below or from the back. Remove the respective knock out
- If the hood is being installed with a remote blower, remove the knock out for the control cable
- Install a UL listed clamp or conduit fitting in the knock out (not included) (FIGURE 27)
- With assistance for another person lift the hood into the cabinet cut out. The top mounting angles should rest on the counter
- Secure the hood to the floor and countertop (FIGURE 28) with screws into the previously drilled holes



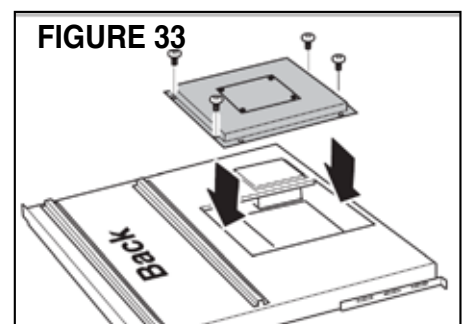
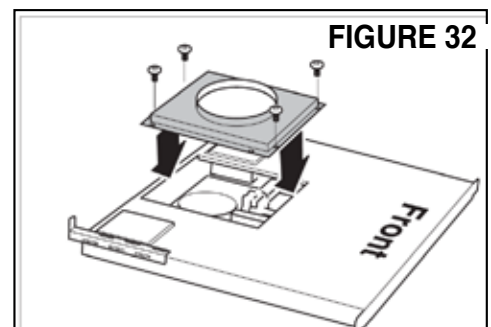
## PRODUCT INSTALLATION

- Push the side covers into place on the mounting brackets on top of the counter and lock them in place (FIGURE 29)
- Connect the appliance to the electric power supply (**see the next page**)
- Press the stainless top strip onto the hood. Push the On / Off push button on top of the hood, the hood vent will rise.
- Remove the labels, screw and brackets as shown in FIGURE 30. This bracket is used for support during transportation
- Connect the top strip to the hood with nuts underneath the top strip to the screws on the right and left end to secure the top strip to the hood. See FIGURE 31, use a size 7 mm nut driver tool.
- Install grease filters (**PAGE 18, FIGURE 36**)
- Connect 6" round ducting to the unit.



## REMOTE BLOWER INSTALLATION

- When using the remote blower, a connection plate must be installed on the hood instead of a blower box. **It can be mounted to the front or back of the unit.**
- If the connection plate is on the front of the unit, then the ducting can only come out of the front
- If the connection plate is on the back of the unit, then the ducting can only come out of the back
- The connection plate is installed using 4 screws as shown in FIGURE 32
- The cover plate is installed onto the housing on the opposite side of the connection plate (FIGURE 33)
- The remote blower is connected to the downdraft unit with an additional control cable. See the installation instructions for the remote blower. The control cable will be connected in the wiring box of range hood.
- Use 10" round ducting to connect the remote blower.



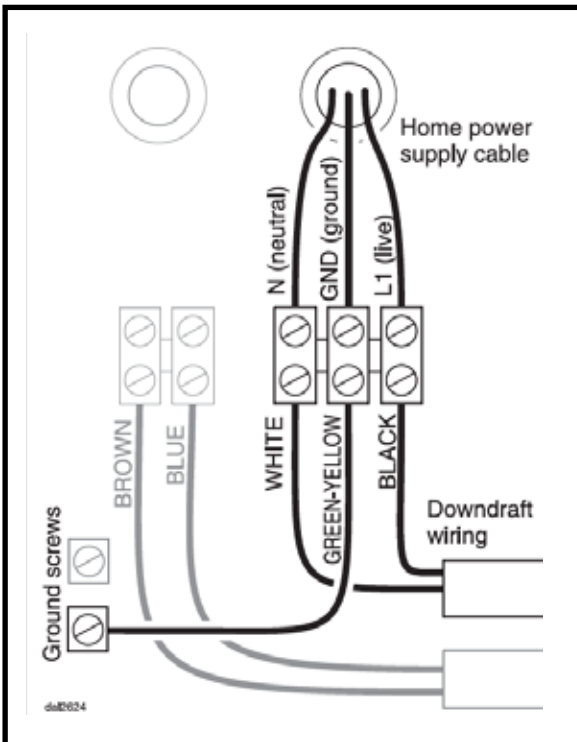
## ELECTRICAL CONNECTION

**WARNING: TO REDUCE THE RISK OF FIRE, ELECTRIC SHOCK, OR INJURY TO PERSONS, OBSERVE THE FOLLOWING:**

All electrical work should be performed by a qualified electrician in strict accordance with national regulations and local safety regulations. Installation, repairs and other work by unqualified persons could be dangerous. Ensure that power to the appliance is off while installation or repair work is performed.

This unit may only be used in connection with Faber internal or remote blowers

**WARNING THIS APPLIANCE MUST BE GROUNDING**



- If you have not yet done so, remove the cover of the terminal box.
- Install a suitable UL listed cable clamp or conduit fitting at the cable knock-out.
- Pass the power supply cable through the knock-out of the housing into the terminal box.

### Important

The ventilation system must be hard wired as follows:

- Connect black (L1 / live) cable from the home power into the right terminal spot
- Connect the green ground wire from the home power into the middle spot
- Connect the white (neutral) wire from the home power into the left terminal spot
- Ensure that the terminal screws are tightly holding all wires into place

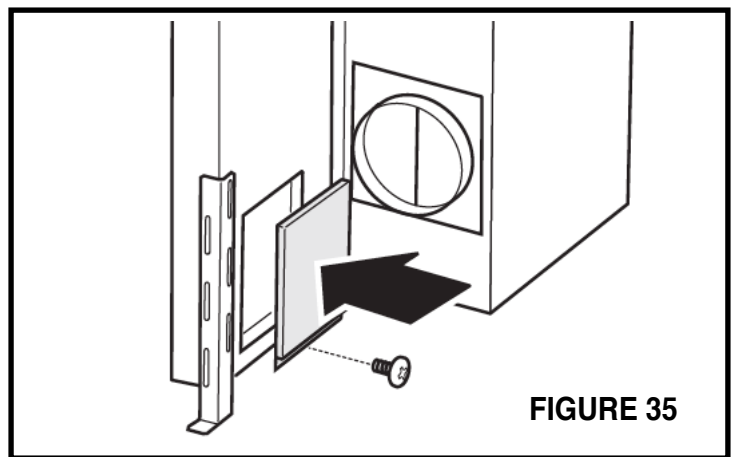
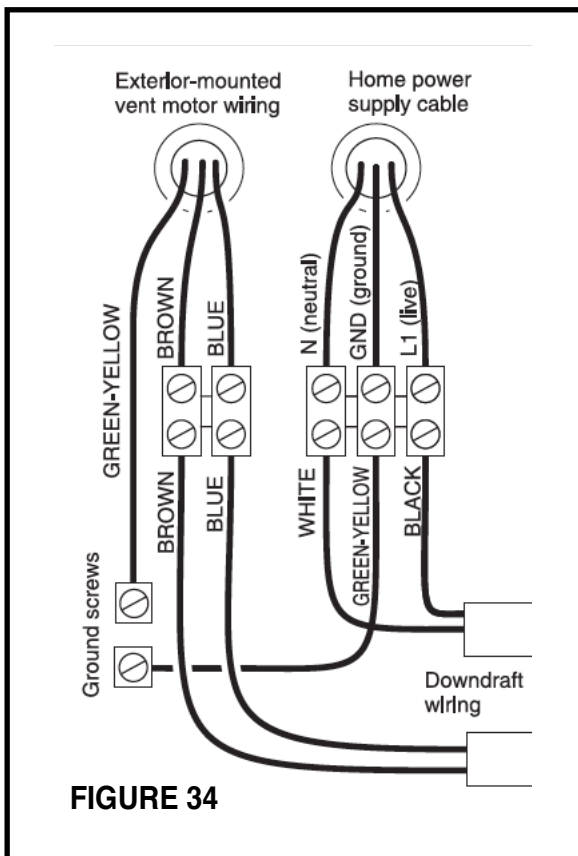
### Check Operation

1. Push and hold the button on the top of the downdraft vent for a few seconds. The retractable section of the downdraft vent will rise. The blower will start immediately if the blower control knob is set to an "on" position.
  2. Slide the control slider on the side of the vent to check the speed of the blower. If the blower does not operate:
    - Check that the filters are pressed in as far as they will go.
    - Check that circuit breaker has not tripped or a household fuse has blown.
    - Check the downdraft vent fuse located under the power board.
  4. Connect the vent system to 6" (IBDD600-B blower) or 10" (remote blowers) round vent collar plate. Position the vent to avoid wall studs and floor joists. Complete all vent work. Use clamps to seal all joints. Vertical vent for wall-mounted installations should pitch down slightly toward the vent to allow moisture to run outside.
  5. Install the cooktop according to manufacturer's instructions. Check that rear of cooktop overlaps the edge of the retractable downdraft vent by  $\frac{3}{8}$ " (9.5 mm). See Countertop Cutout Dimensions.
- NOTE: To get the most efficient use from your new retractable downdraft vent, read the "Vent System Use" section.



## ELECTRICAL CONNECTION WITH REMOTE BLOWER

- If using a remote blower, install a connection cable between the range hood and the remote blower.
- See the Remote Blower instructions for more guidelines
- Additional knock outs should be used for the remote blower wiring
- Install a suitable UL listed cable clamp or conduit fitting into the knock out
- Connect the home power into the box as described on the previous page
- Using FIGURE 34 as a guide, connect the remote blower wiring as follows into the downdraft box: Blue on the right side, brown on the left side and the ground / green wire goes under one of the green ground screws.
- Ensure that the terminal screws are tightly holding all wires into place
- The remote blower will be connected to the additional control cable
- Close the terminal box and attach with a screw (FIGURE 35)
- Turn the power back on



## DOWNDRAFT SYSTEM USE

The retractable downdraft vent system is designed to remove smoke, cooking vapors and odors from the cooktop area.

- For best results, the vent should be operating before cooking is started.
- If you use large or tall utensils, place them on the large rear element or burner surface.
- A higher heat setting than normally used may be needed when the downdraft vent is operating.

### Operating Downdraft Vent

#### To Use:

- Push and hold the button on top of downdraft vent for a few seconds. (This slight delay helps avoid inadvertent raising of the vent during cleaning of the cooktop area.) The retractable section of the downdraft vent will rise. The blower will begin to vent immediately if the blower control knob slider is set to an "On" position.

- Slide the control slider on the right-hand side of the downdraft vent to adjust the blower motor speed.

- **For Trouble shooting, see PAGE 16**

#### When cooking is complete:

- Push the button on top of the retractable downdraft vent. The blower will turn off, and the retractable section of the vent will return to the closed position.

If a spill occurs on the cooktop that allows liquids to seep inside the downdraft vent, you must turn the downdraft vent off immediately. It is possible to cause damage to the downdraft vent if water is allowed inside the downdraft vent while it is operating. Please follow these steps:

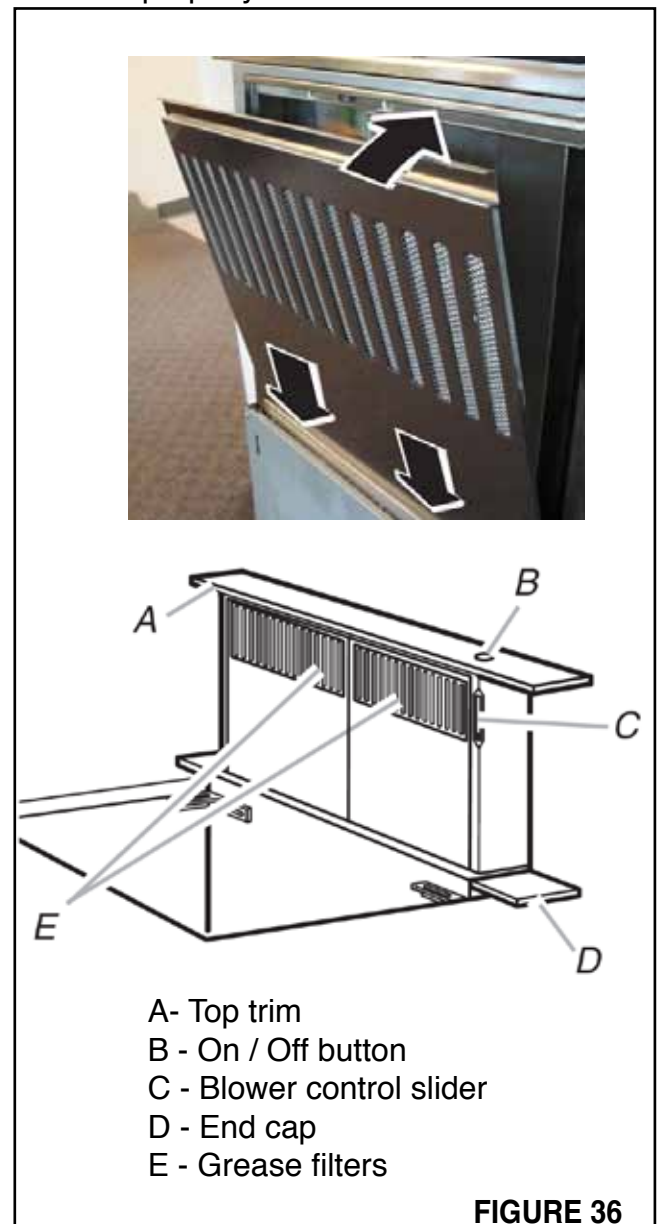
- Immediately turn off the downdraft vent at the speed control located on the right-hand side of the downdraft vent.
- Turn off the power supply to the downdraft vent at the circuit breaker box or fuse box.
- Allow plenty of time for the downdraft vent to dry naturally. Do not open the downdraft vent to remove the water.

#### To Replace Filters:

1. Place filters into the retractable section of the downdraft vent. (E in FIGURE 36)
2. Place fingertips into the embossment at the top of the filters and push down and back to allow the top tabs to snap in place.

NOTE: Downdraft vent will not operate if the filters are not in their proper position. If the filters top tabs are not locked behind the top flange, the vent may retract but not raise back up. If retractable downdraft vent does not operate after clean filters have been installed:

- Push the filter in as far as it will go. When the filter is removed, the microswitch behind the filter is inactivated. This feature will not allow the vent system to operate until the filter is properly installed.



**FIGURE 36**

## DOWNDRAFT SYSTEM CARE

### **Surface of Downdraft Vent**

To avoid damaging the finish, clean downdraft vent with soap and water or Stainless steel cleaner.

Do not use scouring powder or abrasive solutions.

### **Grease Filter Care**

Frequently remove and clean the filters in the retractable section of the downdraft vent. This will improve the operating efficiency of the downdraft vent system.

#### **To Remove Filters:**

1. Place fingertips in the embossment at the top for the filters.
2. Press down on the filters far enough for the tab at the top of the filters to clear.
3. Pull forward to release the filter from its groove.

#### **To Clean:**

1. Remove the filters and clean / soak them in hot dish detergent and water. Because the stainless steel on the filters could be scratched, it is **not** recommended that the filters be placed in a dishwasher. The downdraft vent will not operate when the filters are not in place.

2. Dry the clean filters and reinstall, making sure that they lock into place.

#### **To Replace Filters:**

1. Place filters into the retractable section of the downdraft vent.
2. Place fingertips into the embossment at the top of the filters and push down and back to allow the top tabs to snap in place.

**NOTE:** Downdraft vent will not operate if the filters are not in their proper position. If the filters top tabs are not locked behind the top flange, the vent may retract but not raise back up.

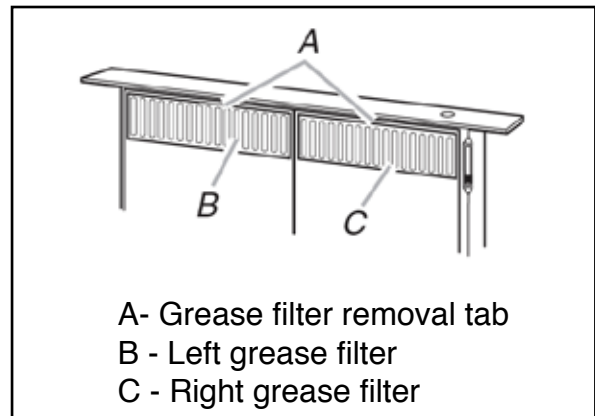
#### **If retractable downdraft vent does not operate after clean filters have been installed:**

Push the filter in as far as it will go. When the filter is removed, the microswitch behind the filter is inactivated. This feature will not allow the vent system to operate until the filter is properly installed.

### **Vent System Use**

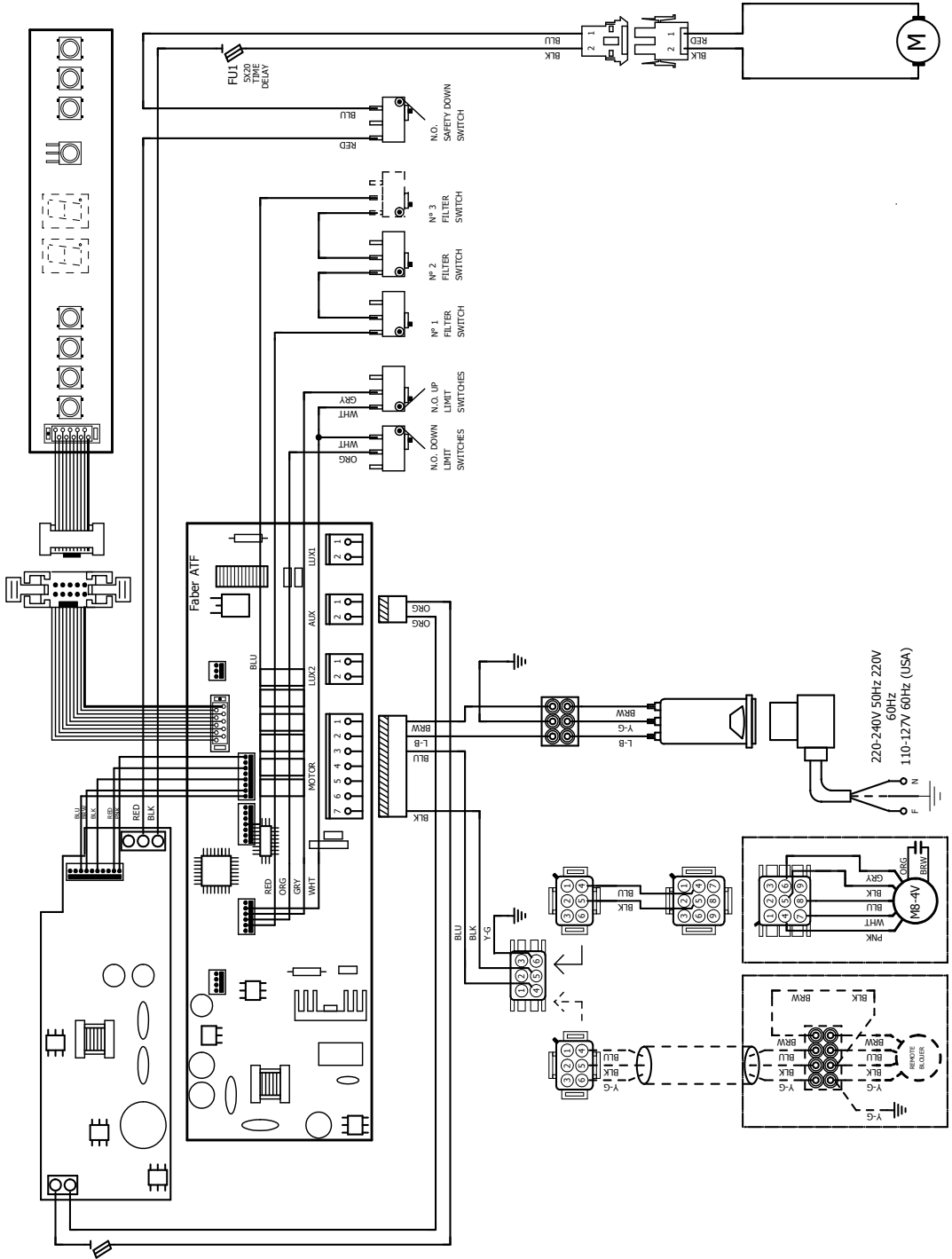
For gas cooking surfaces, the vent system may affect flame stability and cooking performance. To improve the burner performance, decrease the blower speed or increase the burner setting.

The flame sensing ignitions on some gas cooking surfaces may be affected by the downdraft by dispersing the flame away from the spark igniter. This may cause the spark to keep running while trying to reignite the burner that is already lit. To resolve this issue, decrease the vent speed or increase the burner setting.



**WARNING:** Disconnect the power supply and lock out the service panel before cleaning or servicing. To clean, remove the cover and vacuum the blower and housing, being careful not to damage the blower impeller. The motor is permanently lubricated, do not oil or disassemble.

# Wiring Diagram





## FABER CONSUMER WARRANTY & SERVICE

All Faber products are warranted against any defect in materials or workmanship for the original purchaser for a period of 1 year from the date of original purchase (requires proof of purchase). This warranty covers labor and replacement parts. Faber, at its option, may repair or replace the product or components necessary to restore the product to good working condition. To obtain warranty service, contact the dealer from whom you purchased the range hood, or the local Faber distributor. If you cannot identify a local Faber distributor, contact us at (508) 358-5353 for the name of a distributor in your area.

**The following is not covered by Faber's warranty:**

1. Service calls to correct the installation of your range hood, to instruct you how to use your range hood, to replace or repair house fuses or to correct house wiring or plumbing.
2. Service calls to repair or replace range hood light bulbs, fuses or filters. Those consumable parts are excluded from warranty coverage.
3. Repairs when your range hood is used for other than normal, single-family household use.
4. Damage resulting from accident, alteration, misuse, abuse, fire, flood, acts of God, improper installation, installation not in accordance with electrical or plumbing codes or Faber documentation, or use of products not approved by Faber.
5. Replacement parts or repair labor costs for units operated outside the United States or Canada, including any non-UL or C-UL approved Faber range hoods.
6. Repairs to the hood resulting from unauthorized modifications made to the range hood.
7. Expenses for travel and transportation for product service in remote locations and pickup and delivery charges. Faber range hoods should be serviced in the home.

THIS WARRANTY DOES NOT ALLOW RECOVERY OF INCIDENTAL OR CONSEQUENTIAL DAMAGES, INCLUDING, WITHOUT LIMITATION, DIRECT, INDIRECT, INCIDENTAL, SPECIAL OR CONSEQUENTIAL DAMAGES, PERSONAL INJURY/WRONGFUL DEATH OR LOST PROFITS. FABER WARRANTY IS LIMITED TO THE ABOVE CONDITIONS AND TO THE WARRANTY PERIOD SPECIFIED HEREIN AND IS EXCLUSIVE. EXCEPT AS EXPRESSLY SPECIFIED IN THIS AGREEMENT, FABER DISCLAIMS ALL EXPRESS OR IMPLIED CONDITIONS, REPRESENTATIONS, AND WARRANTIES INCLUDING, WITHOUT LIMITATION, ANY IMPLIED WARRANTIES OF MERCHANTABILITY OR FITNESS FOR A PARTICULAR PURPOSE.

This warranty gives you specific legal rights that may vary from state to state.

Model#: \_\_\_\_\_

Serial #: \_\_\_\_\_

January 4, 2016

## **VEUILLEZ LIRE ET CONSERVER LA PRÉSENTE NOTICE AVANT DE COMMENCER L'INSTALLATION DE LA HOTTE DE CUISINE**

### **AVERTISSEMENT : POUR RÉDUIRE LE RISQUE D'UN FEU DE GRAISSE SUR LA TABLE DE CUISSON :**

- a) Ne laissez jamais sans surveillance les éléments de la surface de cuisson à température élevée. Les bouillonnements excessifs peuvent provoquer de la fumée et les débordements de graisse peuvent s'enflammer. L'huile doit être chauffée lentement, à une température basse ou moyenne.
- b) Assurez-vous de toujours mettre en marche le ventilateur de la hotte lorsque vous cuisinez à température élevée ou préparez un mets flambé (p.ex. crêpes Suzette, cerises jubilé, bœuf flambé).
- c) Nettoyez régulièrement les ventilateurs d'aspiration. Assurez-vous de ne pas laisser de la graisse s'accumuler sur le ventilateur ou le filtre.
- d) Utilisez toujours des poêles et casseroles de la taille appropriée. Utilisez toujours des ustensiles de cuisine de la taille adaptée à celle de l'élément chauffant.

### **AVERTISSEMENT : - POUR PRÉVENIR LES BLESSURES EN CAS DE FEU DE GRAISSE SUR LA TABLE DE CUISSON, SUIVEZ LES RECOMMANDATIONS SUIVANTES\* :**

- a) **ÉTOUFFEZ LES FLAMMES** à l'aide d'un couvercle hermétique, d'une plaque à biscuits ou d'un plateau métallique, puis éteignez le brûleur. **FAITES ATTENTION AUX BRÛLURES.** Si le feu ne s'éteint pas immédiatement, **QUITTEZ LES LIEUX ET APPELEZ LES POMPIERS.**
- b) **NE PRENEZ JAMAIS UNE CASSEROLE EN FLAMME** - Vous pourriez vous brûler.
- c) **N'UTILISEZ JAMAIS DE L'EAU**, ni un linge à vaisselle ou un torchon mouillé, pour éteindre le feu. Cela pourrait provoquer une violente explosion de vapeur.
- d) Utilisez un extincteur **UNIQUEMENT** si :
  1. Vous êtes certain qu'il s'agit d'un extincteur de classe ABC et que vous connaissez bien son mode d'emploi.
  2. Le feu est de faible intensité et se limite à l'endroit où il a démarré.
  3. Les pompiers ont déjà été appelés.
  4. Une voie de sortie se trouve derrière vous pendant que vous éteignez les flammes.

\* D'après le guide « Kitchen Firesafety Tips » publié par la NFPA aux États-Unis

### **AVERTISSEMENT - POUR RÉDUIRE LE RISQUE D'INCENDIE OU DE CHOC ÉLECTRIQUE, n'utilisez jamais ce ventilateur en association avec un dispositif de réglage de vitesse à semi-conducteurs.**

### **AVERTISSEMENT - POUR RÉDUIRE LES RISQUES D'INCENDIE, DE CHOC ÉLECTRIQUE OU DE BLESSURE CORPORELLE, RESPECTEZ LES INSTRUCTIONS SUIVANTES :**

1. Utilisez cet appareil uniquement de la façon prévue par le fabricant.
2. Pour toute question, communiquez avec le fabricant.
3. Avant de procéder à l'entretien ou au nettoyage de l'appareil, coupez l'alimentation au niveau du panneau électrique et verrouillez-le pour vous assurer que l'électricité n'est pas rétablie accidentellement.
4. S'il n'est pas possible de verrouiller le dispositif d'interruption de l'alimentation, affichez de façon ferme et bien visible un avis de danger, par exemple à l'aide d'une étiquette sur le panneau.

### **ATTENTION : Destiné à un usage de ventilation générale uniquement. N'utilisez pas ce dispositif pour l'aspiration de vapeurs ou de matériaux dangereux ou explosifs.**

### **AVERTISSEMENT - POUR RÉDUIRE LES RISQUES D'INCENDIE, DE CHOC ÉLECTRIQUE OU DE BLESSURE CORPORELLE, RESPECTEZ LES INSTRUCTIONS SUIVANTES :**

1. L'installation et le branchement électrique doivent être réalisés par un technicien qualifié et conformément à tous les codes et normes en vigueur, incluant ceux concernant la construction à l'épreuve du feu.
2. Afin de garantir une combustion et une évacuation adéquates des gaz par les conduites de la cheminée des appareils à combustion, une bonne aération est nécessaire pour éviter le refoulement. Respectez les lignes directrices fournies par le fabricant du matériel chauffant, ainsi que les normes de sécurité comme celles publiées par la National Fire Protection Association (NFPA) et la American Society for Heating, Refrigeration and Air Conditioning Engineers (ASHRAE) aux États-Unis, ainsi que les codes en vigueur dans votre région.

3. Lorsque vous faites une ouverture ou percez dans un mur ou le plafond, veillez à ne pas endommager les fils électriques ou d'autres dispositifs cachés.
4. Les ventilateurs canalisés doivent toujours être raccordés à l'extérieur.

### CRITÈRES DE VENTILATION

Déterminez quelle méthode de ventilation est mieux adaptée à votre application. Les conduits peuvent passer par le mur ou le toit.

Pour garantir une meilleure efficacité, la longueur des conduits et le nombre de coudes doivent être le plus limités que possible. Le diamètre des conduits devrait être uniforme. N'installez pas deux coudes ensemble. Utilisez un ruban pour canalisations afin de sceller tous les joints du système de conduits. Utilisez un calfeutrage pour sceller les ouvertures dans le mur extérieur ou le plancher, autour du clapet.

**Il n'est pas recommandé d'utiliser des conduits flexibles. Les conduits flexibles provoquent une contre-pression et de la turbulence qui diminuent grandement l'efficacité de l'appareil.**

Assurez-vous que l'espace libre dans le mur ou le plancher est suffisant pour le conduit d'évacuation avant de pratiquer les ouvertures. Ne coupez jamais une poutre ou un chevron, sauf si c'est absolument nécessaire. S'il s'avère nécessaire de couper une poutre ou un chevron, la construction d'un renforcement est requise.

**AVERTISSEMENT - Pour réduire le risque d'incendie, utilisez uniquement des conduits métalliques.**

**ATTENTION - Pour réduire le risque d'incendie et pour évacuer adéquatement l'air, assurez-vous de raccorder les conduits à l'extérieur – Ne diffusez pas l'air d'évacuation dans des espaces à l'intérieur des murs ou du plafond, ou encore à l'intérieur d'un grenier, d'une galerie technique ou d'un garage.**

### Installation dans les climats froids

Le système de ventilation doit prévoir un registre antirefoulement supplémentaire pour réduire le flux d'air froid inverse, ainsi qu'une barrière thermique pour réduire la conduction des températures extérieures. Le registre doit être installé du côté air froid par rapport à la barrière thermique. La barrière thermique doit être positionnée le plus près que possible de l'endroit où le système de ventilation pénètre dans la partie chauffée de la maison.



## AVERTISSEMENT

- Le système de ventilation **DOIT** déboucher à l'extérieur.
- **NE FAITES PAS** déboucher les conduits dans un grenier ou un autre endroit fermé.
- **N'UTILISEZ PAS** un clapet de sècheuse mural de 4 " .
- Il n'est pas recommandé d'utiliser des conduits flexibles.
- **N'ENTRAVEZ PAS** le flux de l'air de combustion et de ventilation.
- Le non-respect des exigences en matière de ventilation pourrait entraîner un incendie.

## FICHE TECHNIQUE ÉLECTRIQUE

Une alimentation de courant alternatif de 120 volt à 60 Hz est requise sur un circuit à fusible distinct de 15 ampères. Il est recommandé d'installer un fusible temporisé ou un disjoncteur. Le fusible doit être calibré conformément aux codes en vigueur pour les caractéristiques nominales électriques de l'appareil, indiquées sur la plaque signalétique située à l'intérieur de l'appareil, à proximité du compartiment des câblages externes.

### INSTALLATION ÉLECTRIQUE AVEC BOÎTIER DE CÂBLAGES

CET APPAREIL DOIT ÊTRE UNIQUEMENT BRANCHÉ À L'AIDE DE FILS DE CUIVRE. Le calibre des fils doit être conforme aux critères de la dernière édition du National Electrical Code, de l'ANSI/NFPA 70 et de l'ensemble des codes et réglementations en vigueur. Le calibre des fils et les connexions doivent être adaptés aux caractéristiques nominales de l'appareil. Il est possible de se procurer un exemplaire des normes indiquées ci-dessus en communiquant avec :

National Fire Protection Association  
Batterymarch Park  
Quincy, Massachusetts 02269 (États-Unis)

Cet appareil devrait être branché directement au sectionneur à fusible (ou au disjoncteur) par un câble flexible de cuivre avec blindage ou gaine non métallique. Laissez un peu de jeu dans le câble pour permettre le déplacement de l'appareil si des travaux d'entretien s'avéraient nécessaires. Un raccord de conduit homologué par l'UL de 1/2 " doit être installé aux deux extrémités du câble d'alimentation (au niveau de l'appareil et de la boîte de liaison).

Lors de la réalisation du branchement électrique, réalisez un trou de 1 1/4 " dans le mur. S'il s'agit d'un trou dans le bois, il doit être poncé pour le rendre lisse. S'il s'agit d'un trou dans le métal, un passe-fils est requis.



## AVERTISSEMENT

- Une mise à la terre électrique est requise pour cette hotte.
- N'UTILISEZ PAS un tuyau d'eau froide pour la mise à la terre si celui-ci est branché par des joints en plastique, par des rondelles non métalliques ou d'autres matériaux.
- N'UTILISEZ PAS une conduite de gaz pour la mise à la terre.
- N'INSTALLEZ PAS un fusible sur le circuit neutre ou le circuit de mise à la terre. La présence d'un fusible dans le circuit neutre ou de mise à la terre peut entraîner un choc électrique.
- Consultez un électricien qualifié si vous n'êtes pas certain de la mise à la terre de la hotte.
- Le non-respect des exigences de la fiche technique électrique pourrait entraîner un incendie.



## OUTILS REQUIS POUR L'INSTALLATION

- Saber • scie sauteuse
- Perceuse
- 1 1/4 "Foret à bois
- Pincés
- Tournevis Phillips
- tournevis à lame plate
- Pince à dénuder • ou un couteau
- Métal Cisailles
- Ruban à mesurer ou une règle
- Niveau
- Crayon
- Pistolet à calfeutrer
- Duct Tape

## Les pièces fournies pour INSTALLATION

- 6 supports de montage (2 pieds de support, 2 en vertu de comptoir et 2 sur vente libre entre parenthèses)
- 2 Embouts
- bande supérieure en acier inoxydable
- Noix de se connecter bande supérieure
- 2 filtres à graisse inox
- Vis installation
- 1 sachet de documentation
- 1 clapet antirefoulement

## PIÈCES NÉCESSAIRES POUR L'INSTALLATION

- 2 connecteurs de conduit
- Câble d'alimentation
- Câble de raccordement • - En option soufflerie à distance seulement
- 1 mur ou de toit Cap
- Tous les Matériaux Métalliques

## Accessoires optionnels disponibles (choisir 1 VENTILATEUR)

- Ventilateur interne modèle # IBDD600-B
- Le modèle de soufflerie à télécommande # RB900 / RB1200

## PLAN DU CONDUIT

Le système Scirocco courant descendant Plus est conçu pour offrir une grande souplesse dans gaines. Le ventilateur intérieur peut être canalisé à l'avant ou à l'arrière de l'appareil courant descendant dans plusieurs directions: vers le bas, gauche, droite ou vers l'arrière (recto uniquement) à l'aide d'un 6 rondes "conduit rond. Le ventilateur à distance peut être canalisé vers le bas à l'aide d'un 10." évacuer.

Le ventilateur à distance nécessite un câblage séparé qui doit être installé en même temps que le conduit est installé. Pour de meilleurs résultats, 10 "tuyau est recommandé pour la soufflerie à distance. Un voile est inclus dans la boîte avec le package courant descendant et doit être associé au cours de la l'ouverture de l'avant / arrière de la boîte de soufflante aspirante. Soufflerie à distance peut être monté soit sur un mur extérieur ou le toit de la maison.

## AVERTISSEMENT

### Lors de la planification de la découpe de la hotte:

- Dessinez à la fois la table de cuisson et des découpes hotte sur le comptoir avant de faire des coupures.
- Vérifier qu'il ya assez de place dans l'armoire pour les deux. Le non-respect de ces consignes pourrait entraîner des dommages sur le comptoir.

## CALCUL DE LA LONGUEUR DU CONDUIT

La longueur des conduits ne doit pas dépasser 55 pieds équivalent de 6 "conduit, ou 75 pieds équivalent de 10" conduit rond. Calculer la longueur du conduit en ajoutant les pieds équivalents répertoriés dans la figure 1 pour chaque pièce du conduit dans le système complet. Un exemple est donné sur la figure 2.

Pour de meilleurs résultats, ne pas utiliser plus de trois coudes à 90 °. Assurez-vous qu'il ya un minimum de 24 "de conduit droit entre les coudes si plus d'un est utilisé. Ne pas installer deux coudes ensemble. Conduit ronde est plutôt recommandé de conduit rectangulaire en particulier si les coudes sont nécessaires. Pour les modèles ventilateur interne, conduit rectangulaire devrait être la transition à 6 "rond dès que possible.

Coude 45°	5.0 pi	9 pi de conduit droit	9.0 pi
Coude 90°	7.0 pi	2 Coudes 90°	14.0 pi
Coude plat 90°	12.0 pi	Capuchon de mur	0.0 pi
Capuchon de mu	0.0 pi	Système total	23.0 pi
<b>FIGURE 1</b>		<b>FIGURE 2</b>	

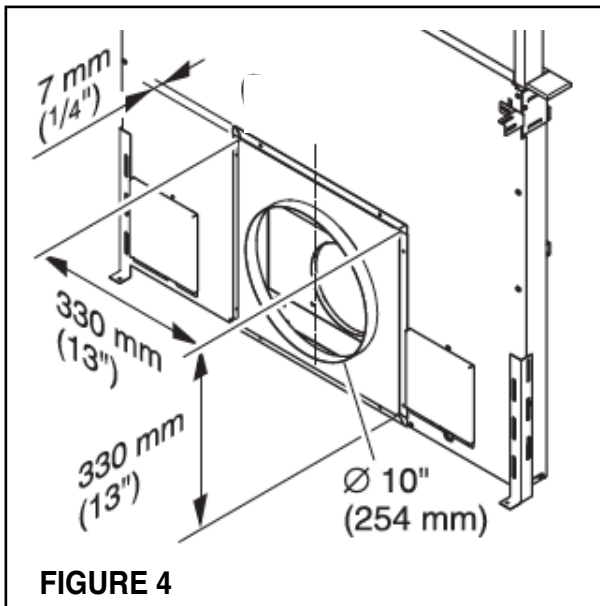
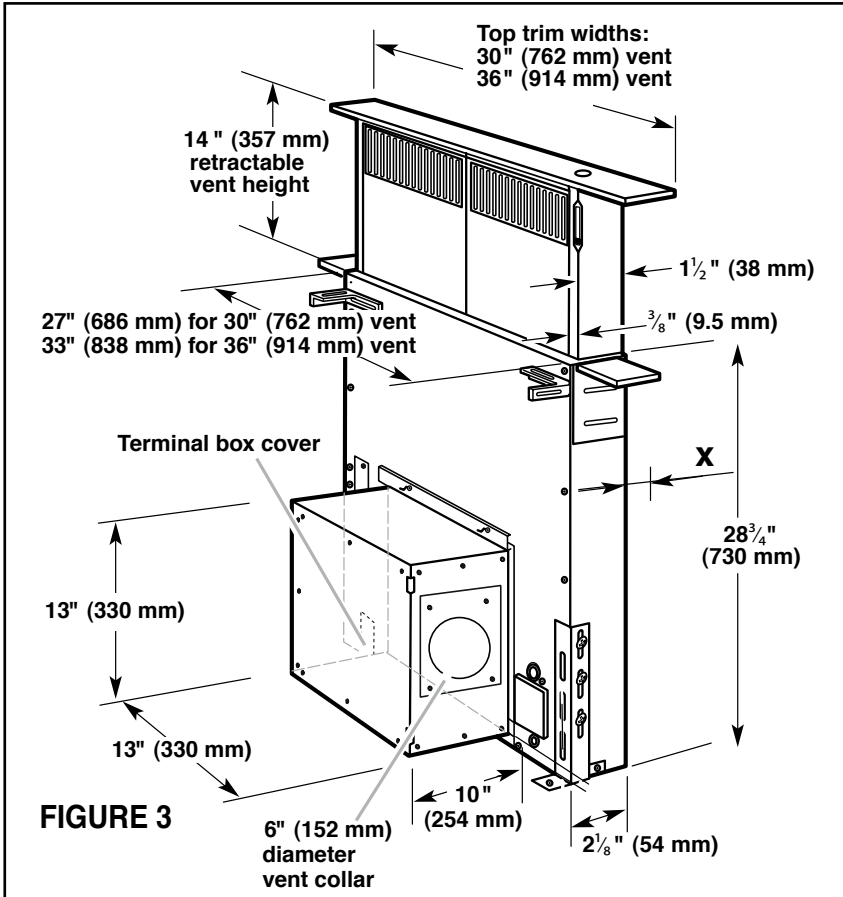
## Consignes générales d'installation (IMPORTANT - À LIRE AVANT L'INSTALLATION)

Le plus Scirocco est destiné à être installé avec plaques de cuisson résidentiels utilisation, plaques de cuisson / four combinaisons, autoportant gammes SANS Revêtements muraux et des hauts de gamme. Ce produit n'est pas recommandé pour une utilisation avec toboggan dans des gammes qui peuvent nécessiter un espace supplémentaire derrière la plage de ventilation du four avec OU AVEC Revêtements muraux autonomes gammes. Toujours consulter vos instructions de cuisson du fabricant d'installation pour les dimensions des produits de cuisson et les besoins spécifiques cfm.

Dans le cas d'installations où le ventilateur est situé à l'arrière de l'appareil, il est conseillé de laisser une porte d'accès ou d'ouverture pour atteindre le fond de la Plus Scirocco où la boîte de câblage et le moteur est situé services devrait être nécessaire.

**REMARQUE:** Lorsque vous utilisez ce capot avec une cuisinière ou de la gamme de sol avec la boîte de moteur inversé derrière le capot, un «jeu 3/4 est requise sur le devant de la hotte pour effacer une plaque de conduit et le bord avant du projet vers le bas corps . Une bande de remplissage peut être nécessaire sur le comptoir dans ce type d'installation pour couvrir cet écart entre la surface de cuisson et le capot.

## DIMENSIONS DU PRODUIT



**FIGURE 3 - Dimensions avec IBDD600-B interne la boîte du ventilateur**

La boîte de ventilateur peut être monté dans de telle sorte que la collerette d'évacuation est alignés sur la gauche, la droite, vers le bas ou vers l'arrière, comme vous le souhaitez.

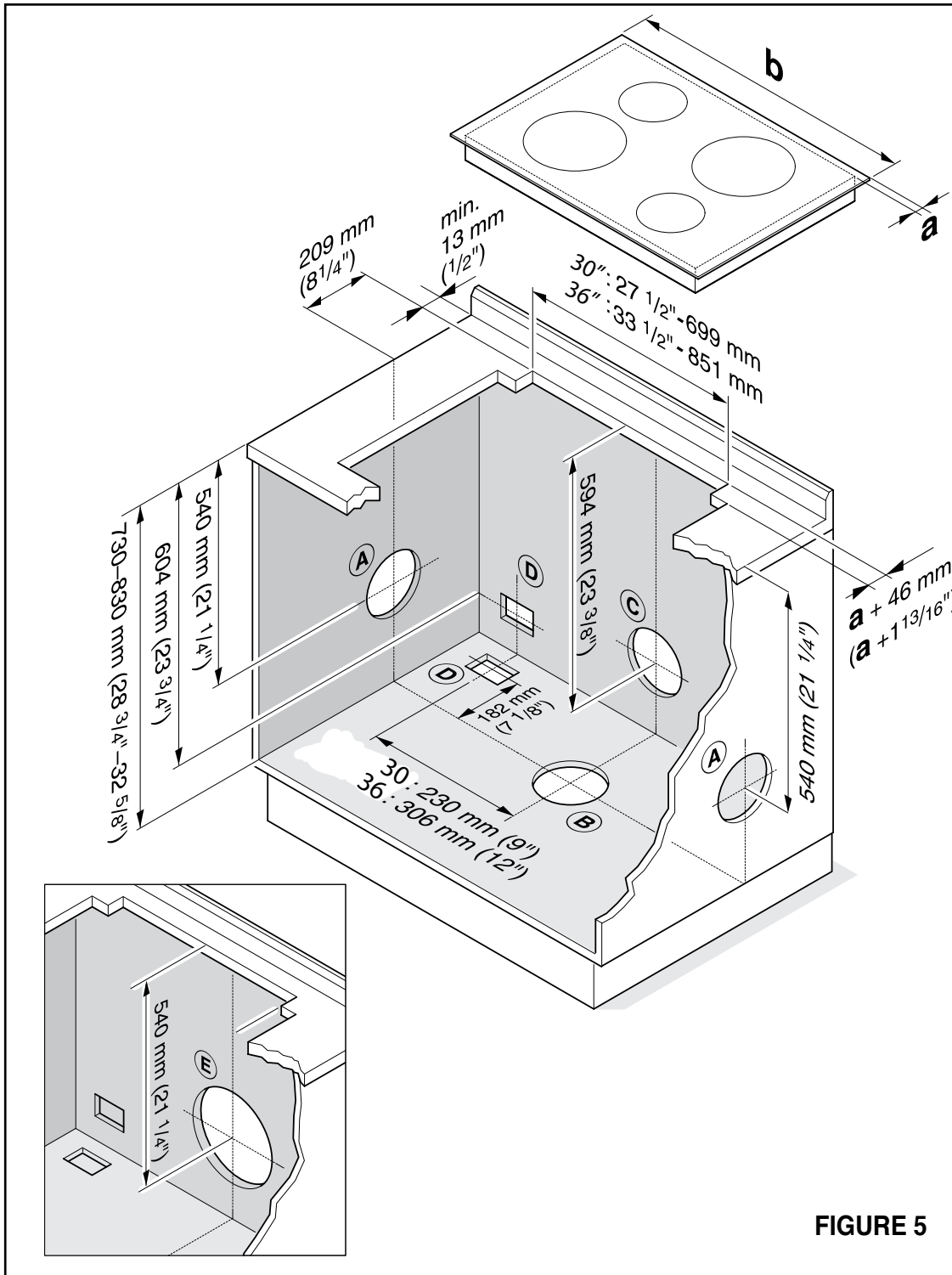
**FIGURE 4 - La plaque de raccordement lors de l'utilisation de**

la #RB900 Ou #RB1200 la soufflerie à distance Le ventilateur ou la plaque de raccordement peut également être monté dans la même position à l'arrière de l'appareil.

x à la FIGURE 3 = Distance à l'arrière de l'armoire ou un mur. Doit avoir un minimum de 1/2 \"

Échappement diamètres de raccordement de conduits  
 IBDD600-B: ..... 6 \"  
 RB900 / RB1200: ... 10 \"

## CABINET CUT OUT DIMENSIONS



**FIGURE 5**

**NOTE:**

- A = gauche, droite IBDD600-B conduits
- B = Canalisation IBDD600-B bas
- C = Canalisation IBDD600-B à l'arrière
- D Cordon d'alimentation = taillé pour la soufflerie à télécommande
- E = 10 "Conduits pour soufflerie à distance
- un surplomb = Table de cuisson
- b = largeur minimale de la table de cuisson:
- 30 " : 28" (711 mm)
- 36 " : 34" (864 mm)

## DIMENSIONS DU PRODUIT

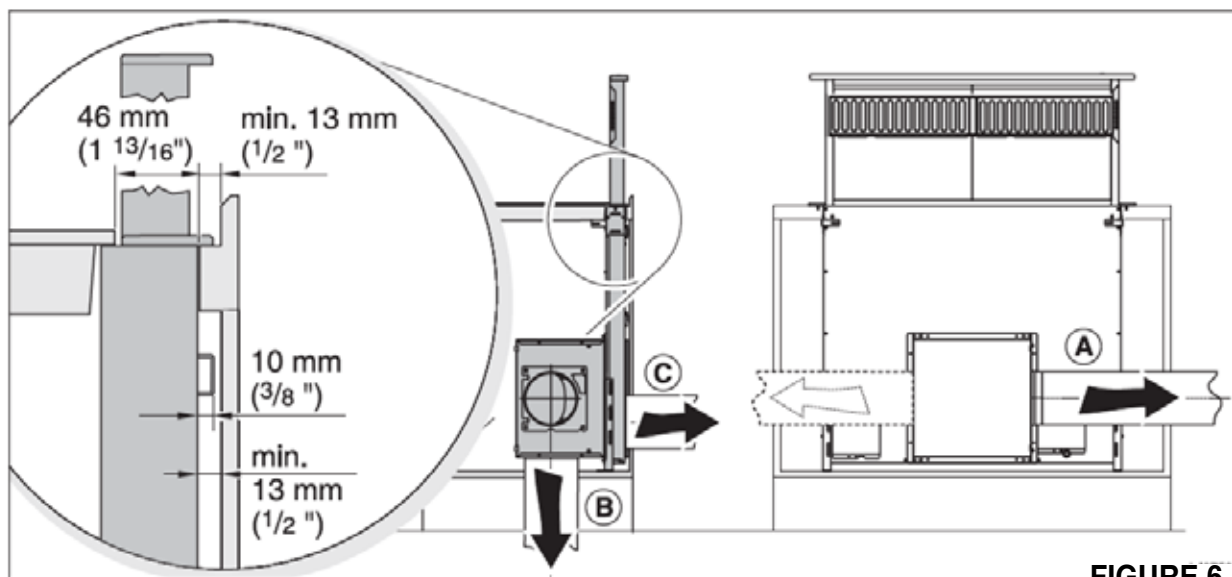


FIGURE 6

Voir la page précédente à la figure 5, et la figure 6 ci-dessus à titre de référence. Lorsque vous utilisez le ventilateur interne IBDD600-B installé sur le devant de la utilisation de l'appareil 6 "Trous ronds conduits pour conduits sont indiqués sur la figure 5, 6 :

(A) vers la gauche ou vers la droite (B) Vers le bas, (C) à l'arrière. Si le ventilateur est installé à l'arrière de l'appareil, une découpe doit être faite par l'arrière de l'armoire ou le mur où il sera monté et le cas échéant dégagements doivent être maintenus derrière l'armoire.

Voir la figure 5, (D) Faites passer le cordon d'alimentation et vers le bas des câbles de commande ou à l'arrière quand l'aide d'une soufflerie à distance.

Voir figure 5 (e) Lors de l'utilisation de la télécommande soufflerie, l'installation de 10 "conduits à l'arrière. Si vous installez le conduits d'échappement à l'avant, les autorisations appropriées doivent être maintenu dans l'armoire.

## REMARQUES SUR L'INSTALLATION

- Le minimum spécifié les dimensions découpées dimensions doivent être respectées.

- Si un four ou un poêle est installé avant le système de ventilation, lire la associé les instructions d'installation. Notez toutes les installations les dimensions et les lignes directrices concernant systèmes de ventilation.

- Soyez conscient d'armoires de cuisine, de retour éclaboussures et / ou supports dans la zone de la système de ventilation et de la table de cuisson. Assurez-vous que la zone où l'évent se lève est libre de tout obstacle.

- Assurez-vous que tout minimum requis distance entre le bord avant de la comptoir et le bord avant de la table de cuisson est maintenue.

- Si il ya un tiroir du meuble sur le chemin, il doit être raccourci ou supprimé. Le panneau avant du tiroir pourrait également être installé de façon permanente de couvrir le tiroir découpe.

## DIMENSIONS DU PRODUIT

### Installation à l'aide du ventilateur interne IBDD600-B

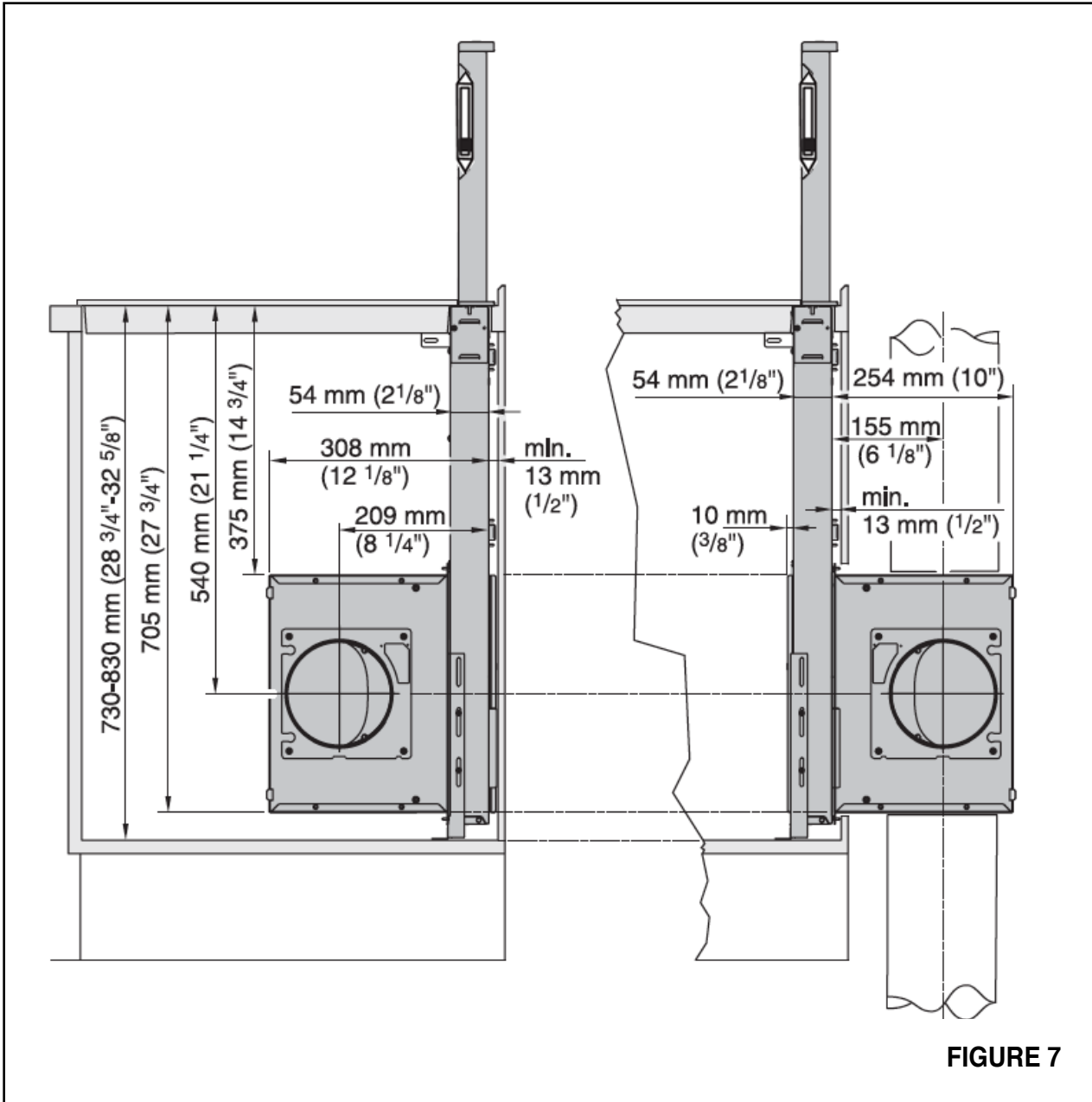


FIGURE 7

#### NOTE:

Le côté gauche du diagramme montre la montée IBDD600-B en face de la plus Scirocco

Côté droit du diagramme montre la IBDD600-B monté derrière le plus Scirocco. Le ventilateur doit être accessible à installer le réseau de conduits

**Remarque:** Lors de l'utilisation avec appliques de cuisson autres que tables de cuisson qui nécessitent inverser la Boîte de moteur à l'arrière, un 3/4 " de dégagement à l'avant de la Scirocco est nécessaire pour effacer une plaque de canal et le bord avant du corps de tirage vers le bas.

## DIMENSIONS DU PRODUIT

### Installation à l'aide de la soufflerie à distance

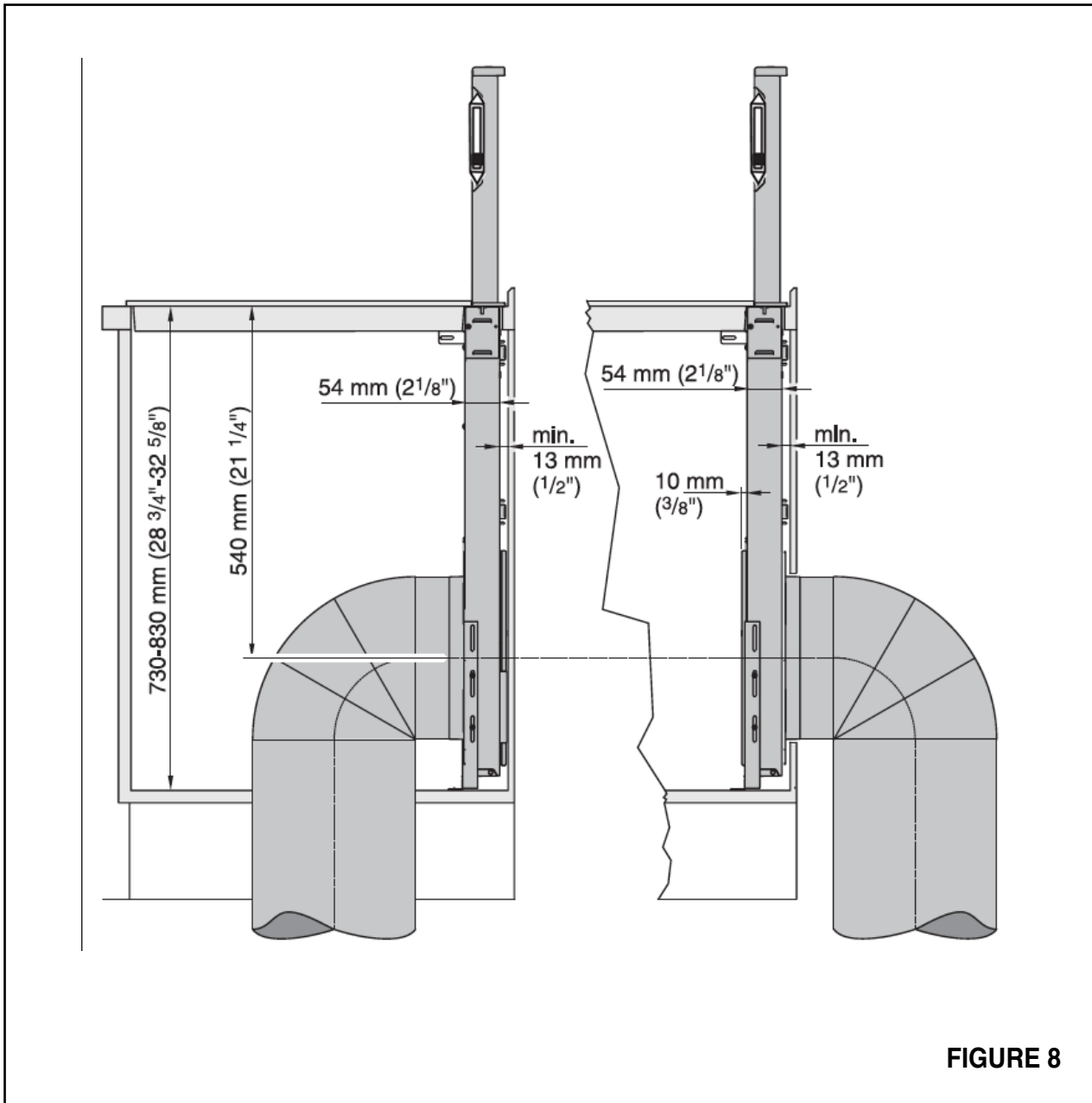


FIGURE 8

#### NOTE:

Le côté gauche du diagramme montre la soufflerie à distance conduits à l'extérieur en face de la plus Scirocco

Le côté droit du diagramme montre la soufflerie à distance conduits à l'arrière de la plus Scirocco. Notez que l'arrière doit être accessible à installer les conduits.

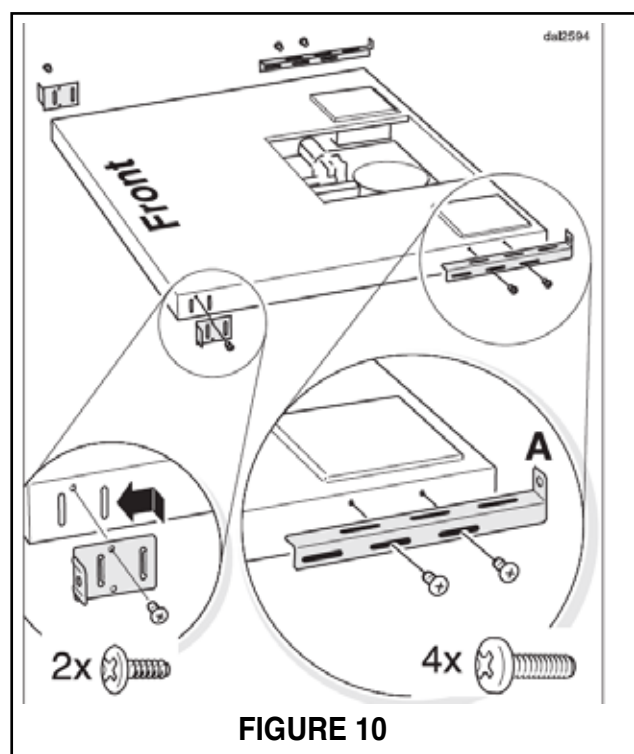
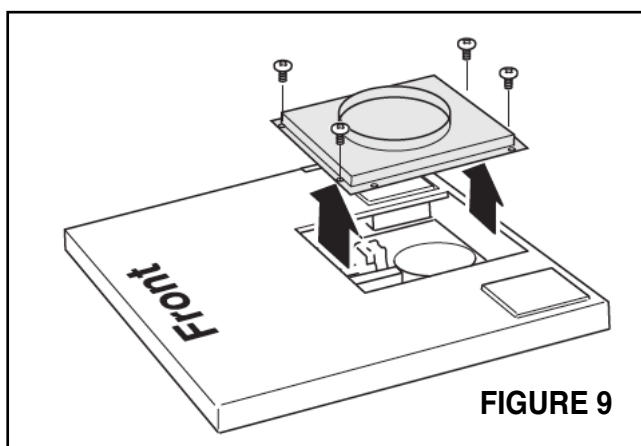
**Remarque:** Lors de l'utilisation avec applinances de cuisson autres que tables de cuisson qui nécessitent inverser la Boîte de moteur à l'arrière, un 3/4 "de dégagement à l'avant de la Scirocco est nécessaire pour effacer une plaque de canal et le bord avant du corps de tirage vers le bas.

## INSTALLATION DU PRODUIT

### S'IL VOUS PLAÎT LIRE LA SÉCURITÉ ET DIMENSIONS DU PRODUIT PAGES

#### Avant d'installer

- 1) Le système de hotte est installée directement derrière la table de cuisson. Pour faciliter l'installation, installer le premier système de ventilation, puis le système de ventilation cooktop. The doit pas être installé dans une zone où il ya des courants forts, par exemple près des fenêtres, portes, etc
- 2) Retirez le 10 "plaque de raccordement ronde à l'avant de l' courant descendant (FIGURE 9)
- 3) Mettre les tranches supérieures de montage en place avec des vis. (FIGURE 10)
- 4) Vissez les supports de montage inférieure (A de la FIGURE 10) sur le côté du boîtier à l'aide de 2 vis chacun. Ne pas serrer les vis. la crochets sont différentes pour la droite et la gauche. Joignez-les avec clip de montage "A" vers le haut.



## INSTALLATION DU PRODUIT

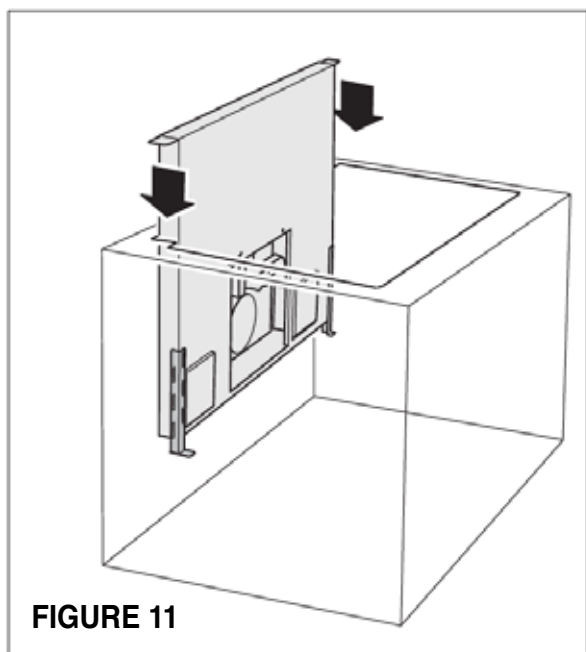


FIGURE 11

5) Avec l'aide d'une autre personne, soulevez le capot dans la découpe préparée dans l'armoire. Le haut supports de montage doivent reposer sur le comptoir. (FIGURE 11)

6) Fixer la hotte sur le comptoir avec deux vis. Si possible, installer les équerres sous le comptoir pour un soutien supplémentaire. Tout d'abord, visser sans serrer les supports dans les écrous coulissants dans le logement et les pousser sous le comptoir. Pré-percer les trous de montage dans le comptoir de en dessous. Utilisez des vis de la bonne longueur. (FIGURE 12)

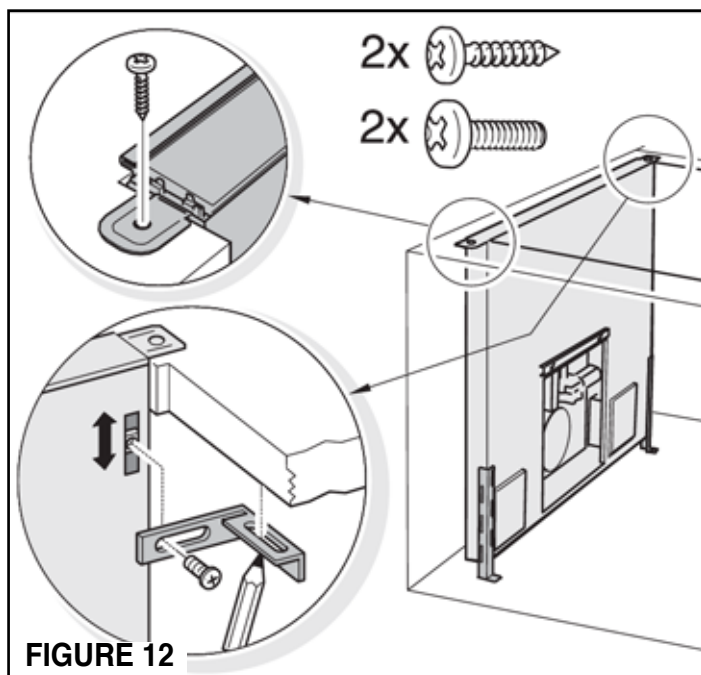


FIGURE 12

7) (Voir Niveau FIGURE 13) et aligner la hotte dans le meuble. Poussez le support de fixation au bas de chaque côté vers le bas contre le plancher du placard. Marquer le bord supérieur du support de montage sur le boîtier et les trous de montage sur la plancher de l'armoire.

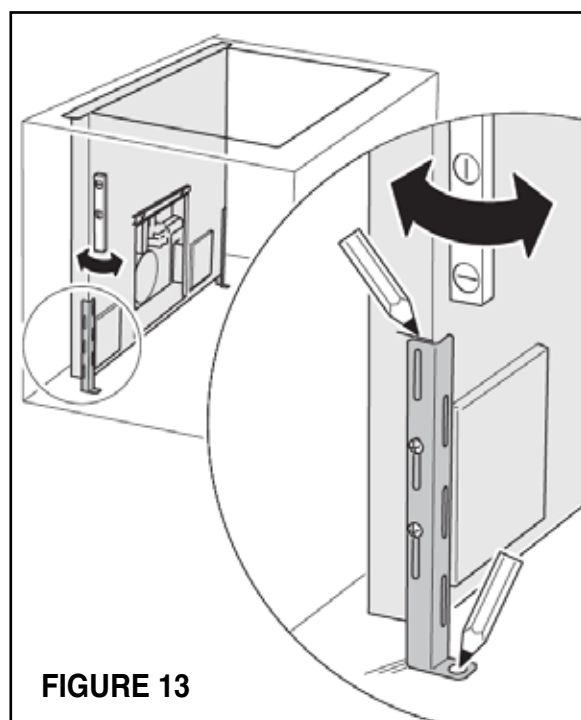


FIGURE 13



## INSTALLATION DU PRODUIT SUITE

8) Retirez les vis du comptoir et soulevez le capot arrière de l'armoire. Pré-percer les trous marqués de montage dans le plancher de l'armoire.

9) Serrer les supports de montage sur le capot au niveau des positions pré-marqués

10) Placez le capot sur le sol sur une surface protégée pour éviter les dommages afin de pouvoir installer le moteur. A ce point, la direction de ventilation conduits devrait être décidé (par l'entremise du sol, à droite, à gauche ou à travers l'arrière de l'armoire).

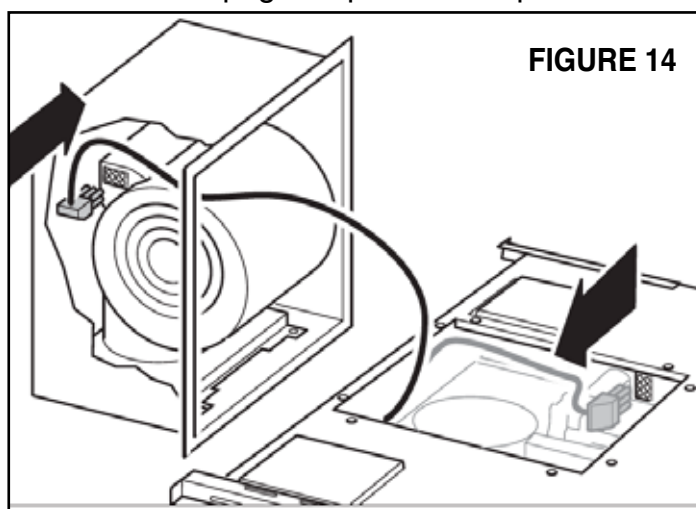
**SI VOUS UTILISEZ UN soufflerie à distance, se tourner vers "VENTILATEUR Installation à distance sur PAGE 15**

Voir Figure 14 pour l'aération gauche, la droite ou vers le bas. Débranchez le câble de l'intérieur du capot. Branchez ce même câble de la hotte dans le kit moteur.

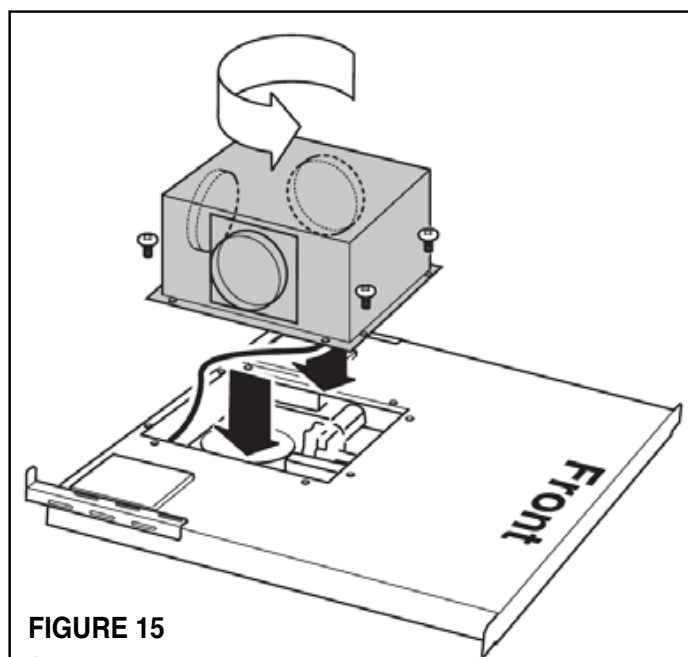
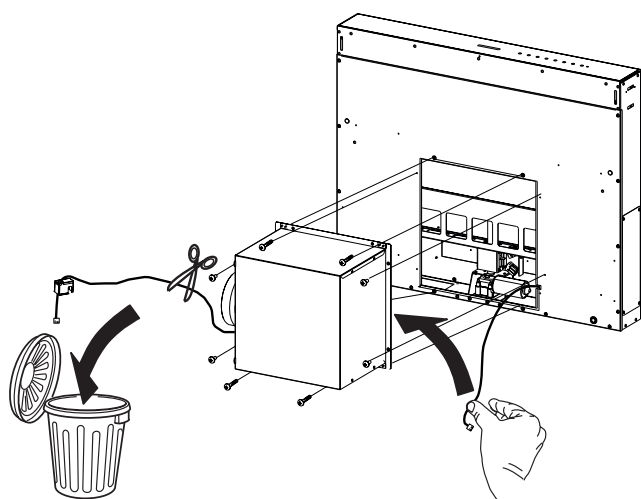
- Tourner le collier de ventilation sur la boîte du ventilateur dans la direction souhaitée - gauche, droite ou vers le bas.

- Monter la boîte du ventilateur sur le boîtier à l'aide de 4 vis (FIGURE 15)

Continuer à la page 14 pour électrique liens



## INSTALLATION EN IBDD600-B avant de la hotte



## INSTALLATION DU PRODUIT

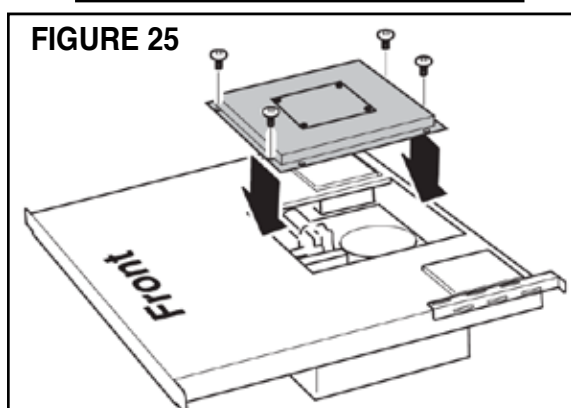
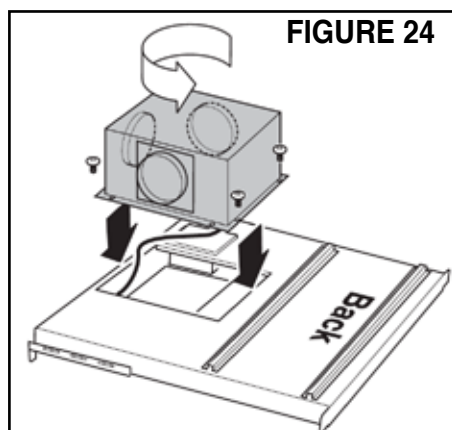
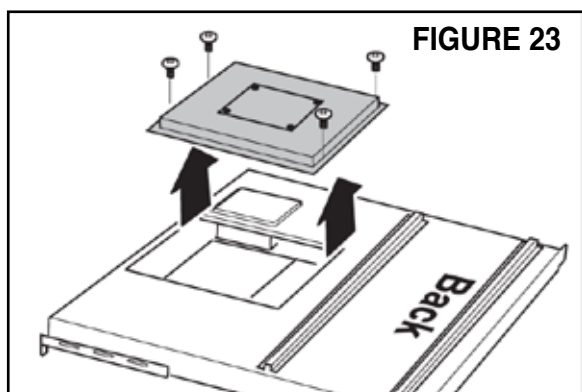
### INSTALLATION EN IBDD600-B arrière de la hotte

La boîte soufflante peut également être installée à l'arrière de la hotte pour recevoir le installation d'un plan de cuisson plaque ou la plaque en face de la hotte.

- Retirez le couvercle du grand sur le dos de la hotte. (FIGURE 23)

- Tourner le collier de ventilation sur la boîte du ventilateur dans la direction souhaitée - gauche, droite, bas. Branchez le câble électrique à partir du kit moteur de la hotte et monter la boîte du ventilateur sur le boîtier aide de 4 vis. (FIGURE 24)

- Lorsque vous avez terminé, montez le préalable capot retiré sur l'avant de l'unité (FIGURE 25)



### PRÉPARER BRANCHEMENT ELECTRIQUE

- Retirer le couvercle de la boîte à bornes (FIGURE 26)

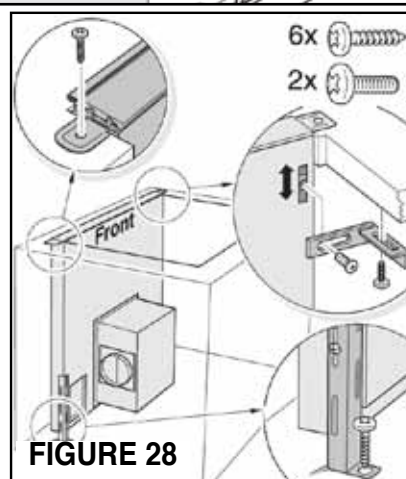
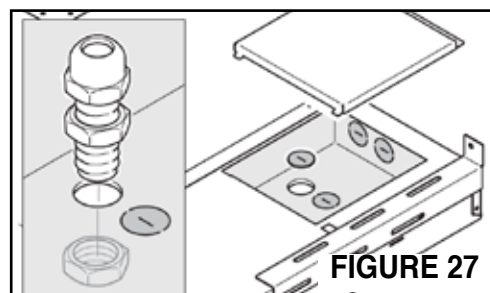
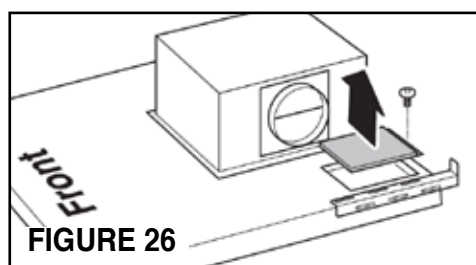
- Décider si la source d'alimentation doit entrer dans la hotte du ci-dessous ou à l'arrière. Retirez le knock out respective

- Si la hotte est installée avec un ventilateur à distance, retirez le knock out pour le câble de commande

- Installer un collier de UL ou des raccords de conduit dans le coup sur (non inclus) (figure 27)

- Avec l'aide d'une autre personne soulever le capot dans le cabinet découper. Le haut les angles de montage doit reposer sur le comptoir

- Fixer la hotte à l'étage et le comptoir (figure 28) avec des vis dans les trous préalablement percés



## INSTALLATION DU PRODUIT

- Poussez sur le côté couvre en place sur les supports de montage sur le dessus du comptoir et de les verrouiller en place (Figure 29)
- Connecter l'appareil à l'alimentation électrique (voir la page suivante)
- Appuyer sur la bande inoxydable haut sur le capot. Appuyez sur le bouton Marche / Arrêt poussoir sur le dessus du capot, le capot de ventilation va augmenter.
- Retirer les étiquettes et les supports, vis comme illustré à la FIGURE 30. Ce support est utilisé pour le support pendant le transport
- Raccorder la bande supérieure de la hotte avec des écrous en dessous de la bande supérieure aux vis sur le côté droit et gauche pour fixer la bande supérieure de la hotte. Voir la FIGURE 31, utiliser une taille de l'outil 7 mm tournevis à douille.
- Installez des filtres à graisse (Page 35, figure 36)
- Raccorder 6 "Conduit rond à l'unité.

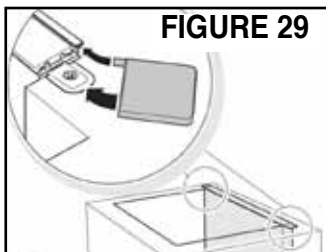


FIGURE 29



FIGURE 30

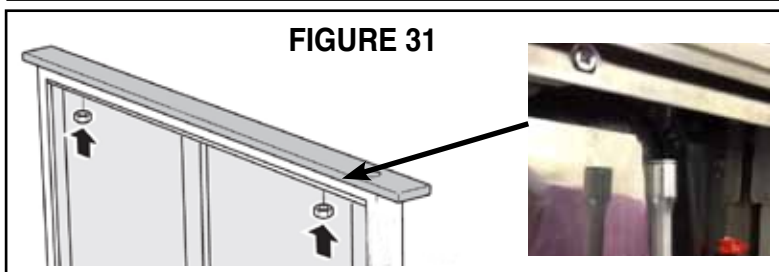


FIGURE 31

## DISTANCE INSTALLATION DE LA SOUFFLERIE

- Lorsque vous utilisez la soufflerie à distance, une plaque de connexion doit être installée sur le capot au lieu d'un caisson de soufflage. Il peut être monté à l'avant ou l'arrière de l'unité.
- Si la plaque de connexion est à l'avant de l'unité, alors le conduit ne peut sortir de l'avant
- Si la plaque de connexion est sur le dos de l'appareil, puis le conduit ne peut venir que de l'arrière
- La plaque de raccordement est installée à l'aide de 4 vis comme le montre la figure 32
- La plaque de recouvrement est installée sur le boîtier sur le côté opposé de la plaque de raccordement (figure 33)
- La soufflerie à distance est connecté à l'unité aspirante avec un câble de commande supplémentaire. Voir les instructions d'installation pour la soufflerie à distance. Le câble de commande sera connecté dans la boîte de câblage de la hotte.
- Utilisez 10 "gaines rondes pour connecter le ventilateur à distance.

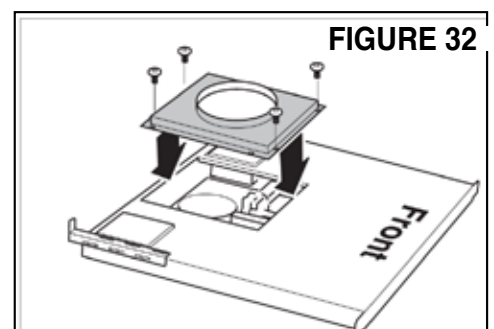


FIGURE 32

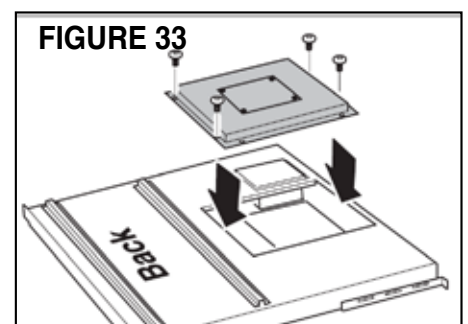


FIGURE 33

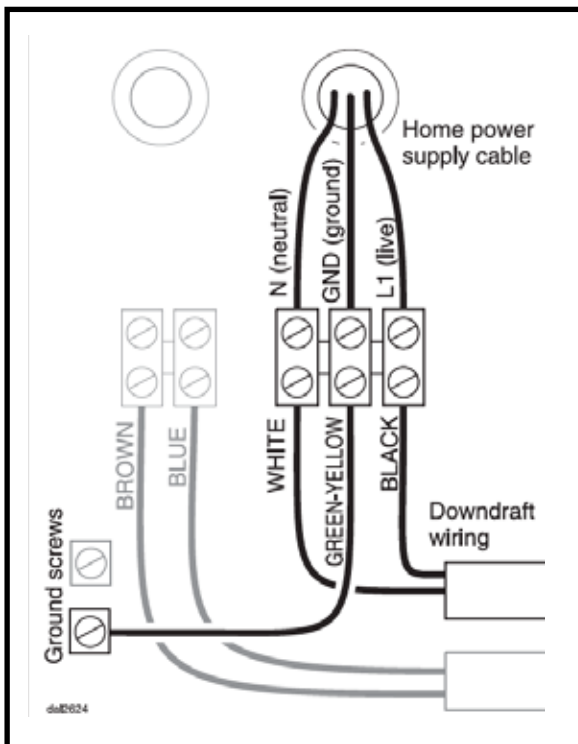
## RACCORDEMENT ELECTRIQUE

### AVERTISSEMENT: POUR RÉDUIRE LE RISQUE D'INCENDIE, CHOC ÉLECTRIQUE OU DE BLESSURES PERSONNES, RESPECTER CE QUI SUIT:

Tous les travaux électriques doivent être effectués par un électricien qualifié en stricte conformité avec les réglementations nationales et de la sécurité locale réglementation. Installation, les réparations et autres travaux par des personnes non qualifiées pourrait être dangereuse. Assurez-vous que la puissance de l'appareil est éteint lors de l'installation ou de réparation est effectuée.

Cette unité ne peut être utilisé dans le cadre de Faber interne ou soufflantes à distance

### AVERTISSEMENT CET APPAREIL DOIT ÊTRE MIS À LA TERRE



- Si vous n'avez pas encore fait, retirez le couvercle de la boîte à bornes.
- Installez un câble approprié pince UL cotées ou raccord de conduit sur le câble knock-out.
- Faire passer le câble d'alimentation à travers l'entraînement du boîtier dans le la boîte à bornes.

### Important

Le système de ventilation doit être dur câblés comme suit:

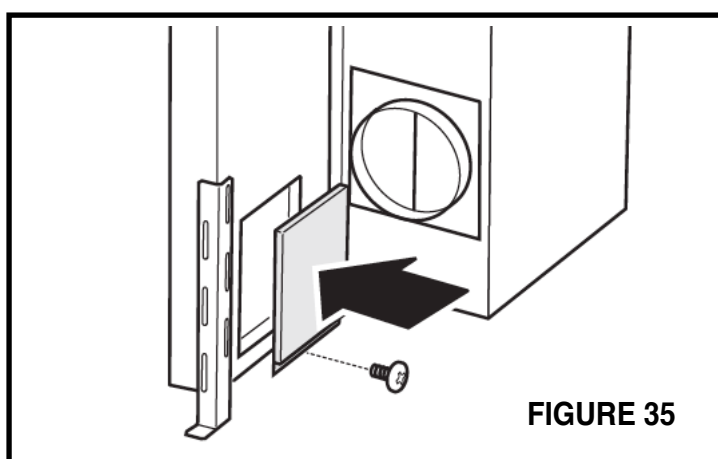
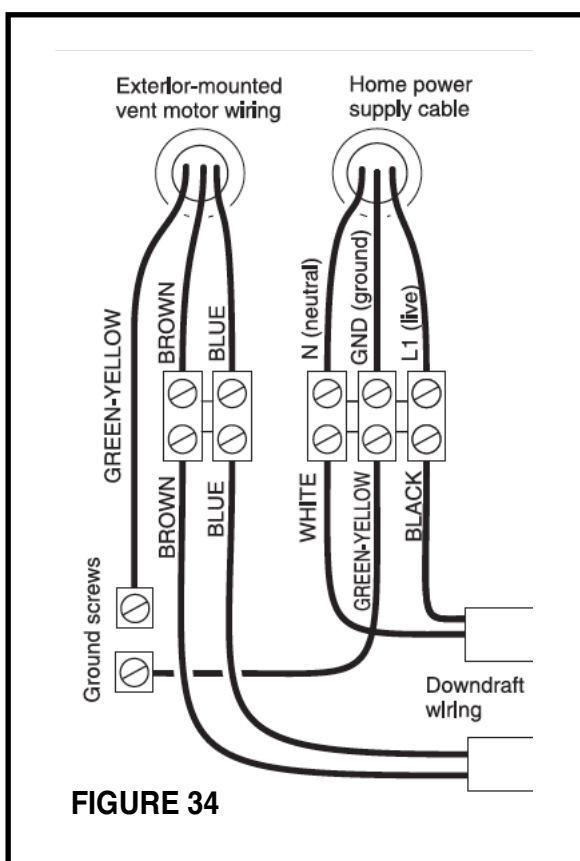
- Connectez le fil noir (L1 / live) câble de l'alimentation à domicile dans la tache borne de droite
- Raccorder le fil de terre vert de la puissance à domicile dans le point du milieu
- Raccorder le blanc (neutre) de la puissance à domicile dans la tache terminal de gauche
- Veiller à ce que les vis des bornes sont étroitement tenant tous les fils en place

### Vérifier le fonctionnement

1. Appuyez et maintenez le bouton sur le dessus de l'évent hotte pendant quelques secondes. la section rétractable du système d'extraction va augmenter. Le ventilateur démarre immédiatement si le bouton de commande du ventilateur est réglé à une "marche" la position.
  2. Faire glisser le coulisseau de commande sur le côté de l'évent pour contrôler la vitesse de la soufflante. Si le ventilateur ne fonctionne pas:
    - Vérifier que les filtres sont pressés dans la mesure où ils iront.
    - Vérifier que le disjoncteur ne s'est pas déclenché ou un fusible est grillé.
    - Vérifiez le fusible de ventilation aspirante située sous la carte de puissance.
  4. Branchez le système de ventilation à 6" (IB-DD600 ventilateur) ou 10" (soufflerie à télécommande) conduit rond collerette. Positionner l'évent pour éviter les montants du mur et les solives de plancher. Remplissez tous les travaux de ventilation. Utilisez des brides pour sceller tous les joints. Évent vertical pour un montage mural devrait piquer du nez légèrement vers la cheminée pour permettre à l'humidité afin de fonctionner à l'extérieur.
  5. Installez la plaque de cuisson en fonction de les instructions du fabricant. Vérifiez que la table de cuisson arrière de chevauchements au bord de la escamotable l'appareil par  $\frac{3}{8}$ " (9,5 mm). Voir Dimensions ouverture du comptoir.
- REMARQUE: Pour obtenir l'utilisation la plus efficace de votre système d'extraction nouvelle rétractable, lire le "Système utilisation Vent" section.

## RACCORDEMENT ELECTRIQUE AVEC TELECOMMANDE VENTILATEUR

- Si vous utilisez un ventilateur à distance, d'installer un câble de connexion entre la hotte et la soufflerie à distance.
- Voir les instructions pour la soufflerie à distance des lignes directrices plus
- Knock outs supplémentaires devraient être utilisés pour le câblage soufflerie à distance
- Installer un collier de câble UL approprié cotées ou des raccords de conduit dans le knock out
- Branchez l'alimentation à domicile dans la zone telle que décrite à la page précédente
- En utilisant la figure 34, comme un guide, connecter le câblage du ventilateur à distance comme suit dans la boîte de hotte: bleu sur le côté droit, brun sur le côté gauche et le sol / le fil vert passe sous l'une des vis de terre verte.
- Veiller à ce que les vis des bornes sont étroitement tenant tous les fils en place
- Le ventilateur à distance sera connecté au câble de commande supplémentaire
- Fermez la boîte à bornes et le fixer avec une vis (figure 35)
- Tournez le dos à la puissance



## UTILISATION DU SYSTÈME DE HOTTE

Le système de ventilation aspirante escamotable est conçu pour éliminer les vapeurs de fumée de cuisson et les odeurs de la cuisine.

- Pour de meilleurs résultats, l'évent doit être opérationnel avant la cuisson est commencé.
- Si vous utilisez des ustensiles grands ou grand, les placer sur l'élément arrière grand ou la surface du brûleur.
- Une plus grande chaleur que normalement utilisé la mise peut être nécessaire lorsque le système d'extraction est en marche.

### **l'appareil de fonctionnement**

#### **Pour utiliser:**

- Appuyez et maintenez le bouton sur le dessus de l'appareil pendant quelques secondes. (Ce léger retard permet d'éviter les rassemblements par inadvertance de l'évent pendant le nettoyage de la zone de cuisson.) La section rétractable de la l'appareil va augmenter. Le ventilateur va commencer à évacuer immédiatement si le curseur bouton de commande du ventilateur est réglé à une position «On».

- Faites glisser le curseur de contrôle sur le côté droit de l'appareil pour régler la vitesse du moteur du ventilateur.

- Pour le dépannage, voir page 16

Lorsque la cuisson est terminée:

- Appuyez sur le bouton sur le dessus de l'enrouleur l'appareil. Le ventilateur s'éteint, et le section rétractable de l'évent retourne à la position fermée.

Si un déversement se produit sur la table de cuisson qui permet de liquides de s'infiltrer à l'intérieur du système d'extraction, vous devez activer le système d'extraction immédiatement. Il est possible de causer des dommages à l'appareil si l'eau est autorisés à l'intérieur du système d'extraction alors qu'il est exploitation. S'il vous plaît suivez ces étapes:

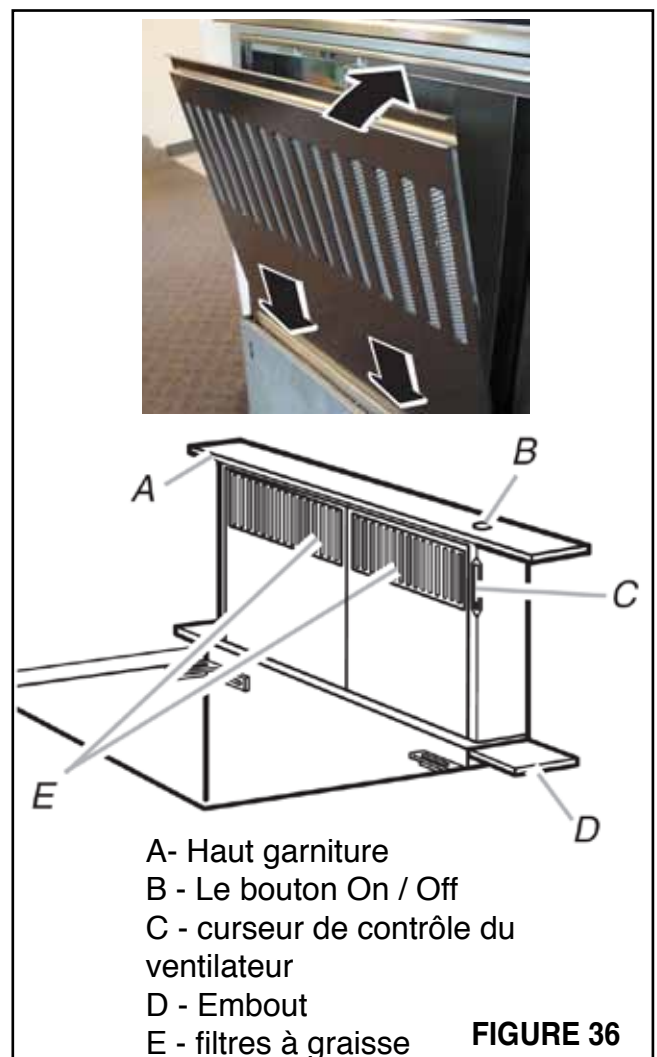
- Éteignez immédiatement l'appareil au contrôle de la vitesse situé sur le côté droit de l'appareil.
- Coupez l'alimentation électrique à l'appareil à la boîte de disjoncteur ou la boîte à fusibles.
- Prévoyez suffisamment de temps pour le système d'extraction à sécher naturellement. Ne pas ouvrir le système d'extraction de éliminer l'eau.

#### **Pour remplacer les filtres:**

1. Placer les filtres dans la section rétractable du système d'extraction. (E de la FIGURE 36)
2. Placer le bout des doigts dans le bossage au sommet des filtres et pousser vers le bas et le dos pour permettre aux languettes supérieures à enclencher en place.

**REMARQUE:** l'appareil ne fonctionne pas si les filtres ne sont pas dans la bonne position. Si les onglets de filtres haut ne sont pas verrouillés derrière le rebord supérieur, l'évent peut se rétracter, mais soulève pas remonter. Si l'appareil rétractable ne fonctionne pas après nettoyage des filtres ont été installés:

- Pousser le filtre dans la mesure où il ira. Lorsque le filtre est enlevé, le micro-derrrière le filtre est inactivé. Cette fonctionnalité ne permet pas le système de ventilation de fonctionner jusqu'à ce que le filtre est correctement installé.



## CARE SYSTEM HOTTE

### Surface de l'appareil

Pour éviter d'endommager la finition, nettoyer l'appareil avec du savon et de l'eau ou Nettoyant pour acier inoxydable. Ne pas utiliser de poudre à récurer ou de solutions abrasives.

### Filtre à graisse soins

Faire enlever et nettoyer les filtres dans la section rétractable du système d'extraction. Cela permettra d'améliorer l'efficacité opérationnelle du système de ventilation aspirante.

Pour enlever les filtres:

1. Placer le bout des doigts dans le bossage en haut pour les filtres.
2. Appuyez sur les filtres assez loin pour l'onglet en haut des filtres à défricher.
3. Tirer vers l'avant pour libérer le filtre de sa rainure.

Pour nettoyer:

1. Retirer les filtres et nettoyer / les faire tremper dans un détergent à vaisselle chaude et d'eau. Parce que l'acier inoxydable sur les filtres n'a pu être rayé, il est déconseillé de les filtres être placé dans un lave-vaisselle. Le système d'extraction ne fonctionne pas lorsque les filtres ne sont pas en place.

2. Sécher les filtres propres et réinstaller, en s'assurant qu'ils se verrouillent en place.

Pour remplacer les filtres:

1. Placer les filtres dans la section rétractable du système d'extraction.
2. Placer le bout des doigts dans le bossage au sommet des filtres et pousser vers le bas et le dos pour permettre aux languettes supérieures à enclencher en place.

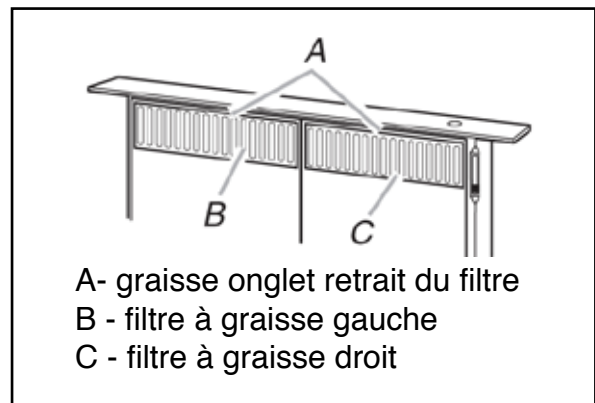
REMARQUE: l'appareil ne fonctionne pas si les filtres ne sont pas dans la bonne position. Si les filtres languettes supérieures ne sont pas verrouillés derrière le haut bride, l'évent peut se rétracter, mais soulève pas remonter.

Si l'appareil rétractable ne fonctionner après nettoyer les filtres ont été installée: Pousser le filtre dans la mesure où il ira. Lorsque le filtre est enlevé, le micro-derrière le filtre est inactivé. Cette fonction ne sera pas permettre au système d'évacuation à fonctionner jusqu'à ce que le filtre est correctement installée.

### Vent d'utilisation du système

Pour les surfaces de cuisson au gaz, le système de ventilation peut affecter la stabilité de la flamme et le performance de cuisson. Pour améliorer les performances du brûleur, de diminuer la vitesse du ventilateur ou augmenter le brûleur réglage.

La détection de flamme allumages sur une partie du gaz surfaces de cuisson peuvent être affectés par la courant descendant en dispersant la flamme loin de l'allumeur. Cela peut provoquer l'étincelle pour continuer à fonctionner tout en essayant de rallumer le brûleur qui est déjà allumé. L'résoudre ce problème, diminuer la vitesse d'évacuation ou d'augmenter la réglage du brûleur.









## GARANTIE LIMITÉE ET SERVICE FABER

Tous les produits Faber font l'objet d'une garantie contre les défauts de matériel et de main-d'œuvre, accordée à l'acheteur original pour une période d'un (1) an à compter de la date d'achat initiale (preuve d'achat requise). Cette garantie couvre les frais de main-d'œuvre et les pièces de rechange. À sa discrétion, Faber peut réparer ou remplacer le produit ou les composants nécessaires à remettre le produit en bon état de marche. Pour bénéficier de services prévus par la garantie, veuillez communiquer avec le détaillant auprès duquel vous avez acheté la hotte de cuisine, ou encore avec le distributeur Faber de votre région. Si vous n'êtes pas en mesure de localiser un distributeur Faber dans votre région, veuillez communiquer avec nous au 508-358-5353 pour connaître le nom d'un distributeur à proximité.

### Les éléments suivants ne sont pas visés par la garantie Faber :

1. Les appels au service de réparation visant à corriger l'installation de la hotte de cuisine, à recevoir des instructions sur l'utilisation de la hotte de cuisine, le remplacement ou la réparation des fusibles du domicile ou la correction des câblages ou de la plomberie du domicile.
2. Les appels au service de réparation visant à réparer ou remplacer les ampoules électriques de hotte, les fusibles ou les filtres. Ces pièces consommables ne sont pas couvertes par la garantie.
3. Les réparations si votre hotte de cuisine est employée à des fins autres que celles prévues, soit l'utilisation résidentielle normale pour une famille.
4. Les dommages découlant d'un accident, d'une modification, de l'utilisation incorrecte ou abusive, d'un incendie, d'une inondation, d'un cas de force majeure, d'une installation inadéquate, d'une installation non conforme aux codes en matière d'électricité ou de plomberie ou à la documentation fournie par Faber, ou encore d'une utilisation du produit non approuvée par Faber.
5. Les frais de main-d'œuvre ou de remplacement des pièces pour les appareils utilisés à l'extérieur des États-Unis ou du Canada, y compris toutes les hottes de cuisine Faber non-UL ou C-UL homologuées.
6. Les réparations à la hotte découlant de modifications non autorisées apportées à la hotte de cuisine.
7. Les frais encourus pour les déplacements et le transport de produits en région éloignée et les frais de cueillette et livraison. La réparation des hottes de cuisine Faber doit être réalisée à domicile.

LA PRÉSENTE GARANTIE NE PRÉVOIT AUCUNE FORME DE DÉDOMMAGEMENT EN CAS DE DOMMAGES ACCESSOIRES OU CONSÉCUTIFS, Y COMPRIS, SANS TOUTEFOIS S'Y LIMITER, LES DOMMAGES DIRECTS, INDIRECTS, ACCESSOIRES, PARTICULIERS OU CONSÉCUTIFS, LES LÉSIONS CORPORELLES/MORTELLES OU LA PERTE DE PROFITS. LA GARANTIE OFFERTE PAR FABER EST LIMITÉE AUX CONDITIONS ÉNONCÉES CI-DESSUS ET À LA PÉRIODE DE GARANTIE INDIQUÉE DANS LES PRÉSENTES ET EST EXCLUSIVE. SAUF DISPOSITIONS EXPRESSES CONTRAIRES DANS LE PRÉSENT ACCORD, FABER DÉCLINE TOUTE CONDITION, REPRÉSENTATION OU GARANTIE EXPLICITE OU IMPLICITE, Y COMPRIS, SANS TOUTEFOIS S'Y LIMITER, TOUTE GARANTIE IMPLICITE DE QUALITÉ MARCHANDE OU D'ADAPTATION À UN USAGE PARTICULIER.

Les droits qui vous sont conférés en vertu de la présente garantie peuvent varier d'une province ou d'un État à l'autre.

N° de modèle : \_\_\_\_\_

N° de série : \_\_\_\_\_

4 janvier 2016





