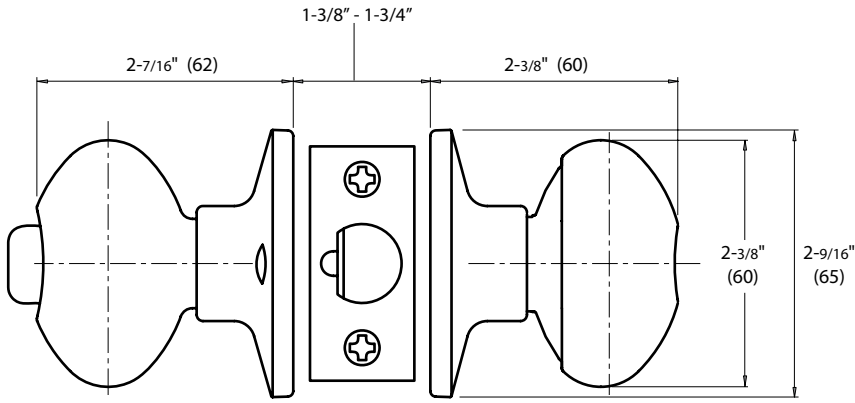


RUBY KNOB LOCKSET



DIMENSIONS



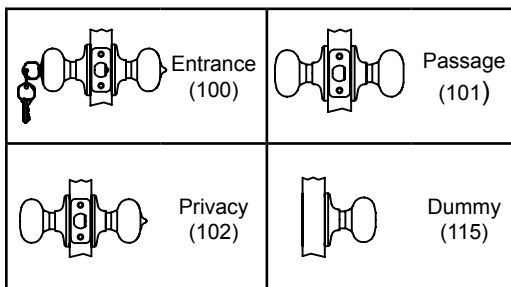
STANDARD SPECIFICATIONS

Door Prep	Cross bore: 2-1/8" Edge bore: 1" Latch face: 1" x 2-1/4"	Latches	Entrance: 2-3/8" & 2-3/4" adjustable (9073) Passage/Privacy: 2-3/8" & 2-3/4" adjustable (9074) Faceplate: 1" x 2-1/4" round corner Bolt: 1/2" throw
Backset	Fits 2-3/8" and 2-3/4"	Strikes	1-3/4" x 2-1/4" full lip round corner (9103)
Door Thickness	1-3/8" ~ 1-3/4" door standard	Wood Screws	Combination screws that suit both wood or metal door mounting
Cylinder	KW1 5-pin standard (Solid Brass) SC1 5-Pin optional. Entries packed KA5	Door Handing	Not Required

PRICING

Model	Function	WT/ LB	CTN QTY		US15	US10B	US12P
100T - RB	Entrance	27 Lbs	20 Pcs	Item No.	211820	211829	211827
				List Price			
101T - RB	Passage	22 Lbs	20 Pcs	Item No.	214820	214829	214827
				List Price			
102T - RB	Privacy	22 Lbs	20 Pcs	Item No.	212820	212829	212827
				List Price			
115 - RB	Dummy	9 Lbs	20 Pcs	Item No.	215820	215829	215827
				List Price			

FUNCTIONS



THE DELANEY CO.

Copyright © THE DELANEY CO. All rights reserved.