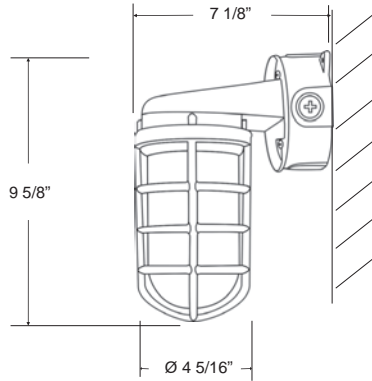


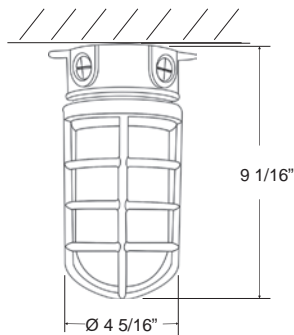
TECHNICAL SPECIFICATIONS

- UL listed / CUL listed for wet locations
- Heavy duty die-cast aluminum powder coating finished
- Clear heat resistant tempered glass lens
- High temperature silicone internal gaskets.
- 1/2" tapped holes available.
- UL listed porcelain medium socket.
- Max 100W incandescent and 23W compact fluorescent lamp.



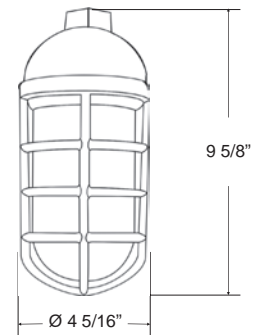
WALL MOUNT

Model #	Finishes	Lamping
23264	-014 Satin Nickel	E26 max 1 x 100W or 1 X 23W max CFL E26



CEILING MOUNT

Model #	Finishes	Lamping
23265	-011 Satin Nickel	E26 max 1 x 100W or 1 X 23W max CFL E26



PENDANT MOUNT

Model #	Finishes	Lamping
23266	-018 Satin Nickel	E26 max 1 x 100W or 1 X 23W max CFL E26

