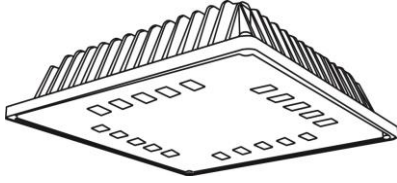
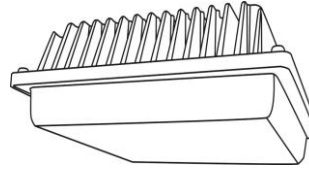


INSTALLATION INSTRUCTIONS

SML-364



Option A



Option B

PRECAUTION:

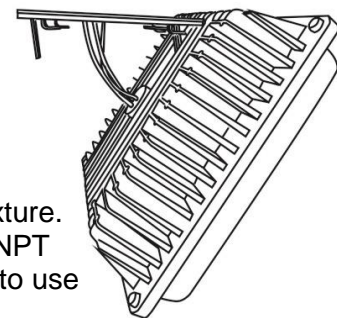
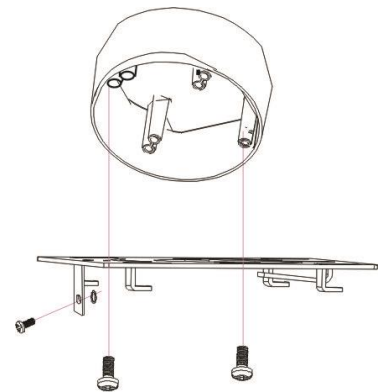
Before beginning installation or service, disconnect the power by turning off the circuit breaker. Turning the power off by using the light switch is not sufficient to prevent electrical shock. This floodlight is for outdoor use and should not be used in areas of limited ventilation or high ambient temperature. All work should be performed by a qualified electrician. This product must be installed in accordance with the applicable installation code by a person familiar with the construction and operation of the product and the hazards involved.

AVERTISSEMENT:

S'assurer que toute alimentation possible est COUPÉE avant de commencer l'installation ou l'entretien. Tout le câblage doit être fait par un électricien certifié.

INSTALLATION:

1. Remove the junction box mounting plate from the top of the fixture by loosening one side screw and sliding the fixture plate out from the holding brackets on the top of the casting.
2. Install the mounting plate to the junction box with two screws (not provided). The bracket should be positioned to allow the fixture to be "square" with the sides of the canopy the fixture is mounted to.
3. Wiring:
Bring the fixture input wires from the top of the fixture and connect to the power leads in the junction box – black to black (hot), white to white (neutral), and green to green (ground).
4. Connect the main housing to the junction box bracket. Hold in place while reinstalling one side locking screw.
5. Turn on the power. The fixture will come to full output in several seconds.



PENDENT MOUNTING:

1. Remove the mounting plate and the rubber conduit plug from the fixture.
2. The fixture has an open conduit on top and ready for the size of ½ NPT thread tapping, installer needs to comply with the local electrical law to use the certified metal conduit pipe or fitting to pendent this fixture.

NOTE: Do not remove the bottom lens (if unit is supplied with this option) or touch the LED optics (if fixture option A is provided). All LEDs are preinstalled and ready to operate.