

# EUROfase

## Sternn, Outdoor, 15", Travertine, Clear Wave Glass

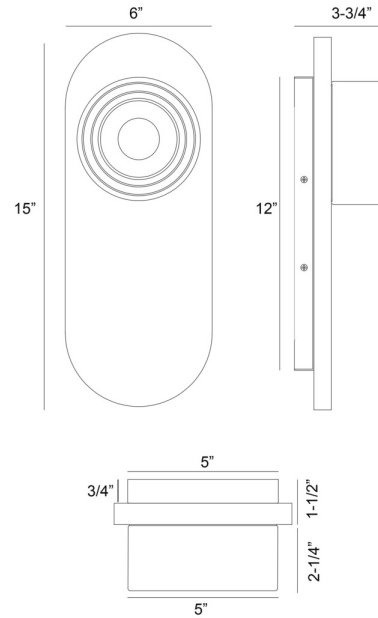
Item No.  
50272-020

JOB NAME:

DATE:

TYPE:

COMMENTS:



### LIGHT INFORMATION

Light Type Integrated LED

Bulb Socket N/A

Bulb Shape N/A

Bulb Included N/A

CRI 90

Delivered Lumens 477

Colour Temperature (Kelvin) 3000K

Average Hours LED (L70) 52000

Number of Lights 1

Light Direction Ambient

Dimming Method Triac

Output Voltage 24

Current Type AC

### LIGHT INFORMATION (CONT'D.)

Light Wattage 10

Total Wattage 10

### DIMENSIONS & WEIGHT

Product Width (In) 5.91

Product Height (In) 15

Product Ext (In) 3.7

Product Diameter (In)

Product Weight (Lbs) 8.22

Product Length (In)

### INSTALLATION

Mounting Type J-Box

Mounting Location Rating Wet (IP65)

### PRODUCT FINISH

Finish: Travertine

### SHADE FINISH

Shade Finish: Clear Wave

### PRODUCT FEATURES

IP65 fully weatherproof, sealed against dust and sustained rain exposure for installation in any outdoor location.

Rated for up to 52,000 hours of operation, delivering decades of light without a bulb change.

ADA compliant, meeting wall-projection requirements for residential and commercial accessibility standards.



Certification & Compliance