

EUROfase

Sternn, Outdoor, 5", Matte Black, Clear Wave Glass

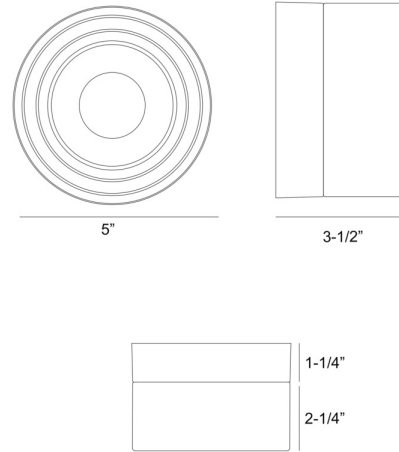
Item No.
50271-023

JOB NAME:

DATE:

TYPE:

COMMENTS:



LIGHT INFORMATION

Light Type	Integrated LED
Bulb Socket	N/A
Bulb Shape	N/A
Bulb Included	N/A
CRI	90
Delivered Lumens	477
Colour Temperature (Kelvin)	3000K
Average Hours LED (L70)	52000
Number of Lights	1
Light Direction	Ambient
Dimming Method	Triac
Output Voltage	24
Current Type	AC

LIGHT INFORMATION (CONT'D.)

Light Wattage	10
Total Wattage	10

DIMENSIONS & WEIGHT

Product Width (In)	
Product Height (In)	
Product Ext (In)	3.39
Product Diameter (In)	5
Product Weight (Lbs)	3.09
Product Length (In)	

INSTALLATION

Mounting Type	J-Box
Mounting Location Rating	Wet (IP65)

PRODUCT FINISH

Finish: Matte Black

SHADE FINISH

Shade Finish: Clear Wave

PRODUCT FEATURES

IP65 fully weatherproof, sealed against dust and sustained rain exposure for installation in any outdoor location.

Rated for up to 52,000 hours of operation, delivering decades of light without a bulb change.

Die-cast aluminum body is naturally corrosion-resistant, suited to long-term outdoor exposure.

