



MIDWAY

RECESSED COLLECTION



3.5" 45370 SQUARE REGRESSED GIMBAL

The Midway collection is a family of integrated led recessed lights available in sizes ranging from 2"-6". With their durable die cast aluminum bodies and built on CCT color selecting switch Midway family fixtures are aesthetically appealing, functional and extremely versatile. Their IC rated shallow bodies allow them to be used in most residential and commercial installations with or without insulation in the ceiling. Midway fixtures are available in white or black finish and come standard with a reliable phase dimming power supply.



PROJECT: _____

TYPE: _____

DATE: _____

NOTES: _____



2700K . 3000K . 3500K . 4000K . 5000K

SPECIFICATIONS

LIGHT HOUSING

- IC Airtight Cast aluminum body.
- Remodel application. C/W spring loaded clips.
- Mates to driver box with quick connector.
- Max Ceiling thickness 5/8".
- Approved for damp location.

DIMENSIONS

- Cut hole: ϕ 3 3/4".
- Fixture: ϕ 4 3/8" x 3 1/4"H.

ELECTRICAL

- 120 V Input class 2 constant current dimmable driver enclosed in junction box.
- TRIAC and ELV dimming.
- Min operating temperature (-4°F~-104°F)(-20°C~-40°C).

LIGHT MODULE


- 1 x 12W Integrated LED COB.
- Lumen maintenance 70% 50,000 hrs.
- CRI: 90+
- Beam angle: 38 degree.
- Kelvin (CCT): 27K | 30K | 35K | 40K | 50K
- Delivered Lumen: 705 lm | 747 lm | 812 lm | 848 lm | 847lm

CERTIFICATIONS



ORDERING GUIDE

MODEL	FINISH
45370-021	Black
45370-014	White

	WATTS	LUMENS	KELVIN	DIMMABLE	CRI	BEAM ANGLE	ADJUSTABLE
	12W	Up to 848	CCT Selectable	TRIAC/ELV	90+	38°	30°



PRODUCT DIMENSIONS



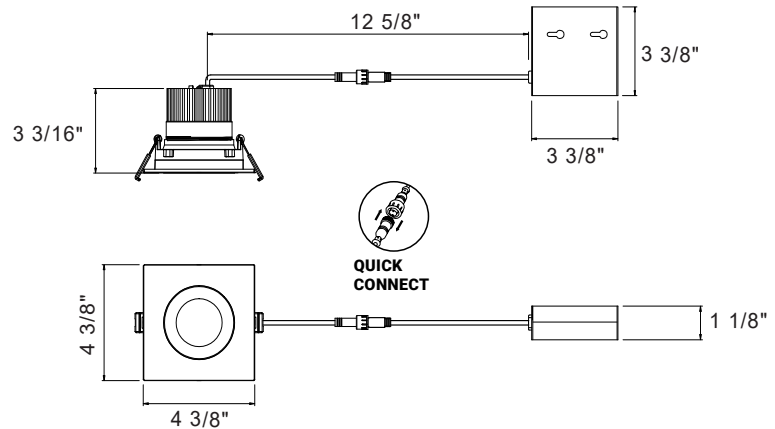
FINISHES



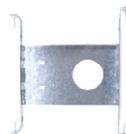
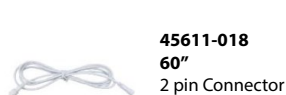
021- White



014- White



ACCESSORIES



NO IC BOX REQUIRED

www.eurofase.com

Tel: 905.695.2055 Fax: 905.695.2056
Toll Free: 1.800.660.5391 Toll Free: 1.800.660.5390

All features, functionality and other product specifications are subject to change without notice.