



✉ 33 West Beaver Creek Road Richmond Hill
Ontario Canada L4B 1L8

☎ 800.660.5391

📄 800.660.5390


✉ info@eurofase.com

🌐 www.eurofase.com



CLAIREMONT , 25-LIGHT CHANDELIER

Product Specifications

Model No.: 19361
 Height: 49.5"
 Chain / Cord Length: 180"
 Diameter: 42"
 Est. Shipping Weight: 96.602 lbs
 No. of Bulbs: 25
 Bulb Wattage: 60 watts
 Bulb Type: B10 
 Bulb Base: E12
 Bulb Voltage: 120 volts

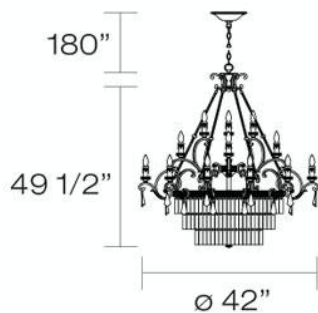
Options Available

| ITEM CODE | FINISH | SHADE |
|-----------|--------------|---------|
| 19361-017 | artisan gold | crystal |

Colour / Shades Available

| FINISH | SHADE |
|--------------|---|
| artisan gold |  crystal |

Delicate filigree carvings adorn the ornate central frame in this golden family. Sharply cut crystal glass encircles the radiant architecture, elongating the double-tiered effect while soft light spills through the refractive prisms. The overall effect is an opulent and gilded frame that is selectively paired with lucidly simple vertical crystal pieces.



Project Information

Job Name: _____ Date: _____ Type: _____

Comments: _____