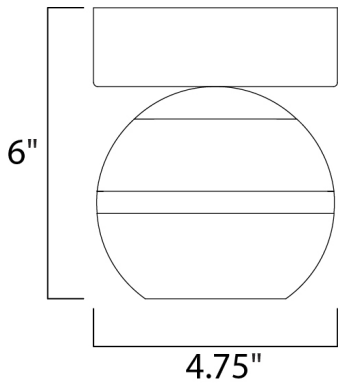




**PRODUCT DESCRIPTION**

Orbs of crystal Clear acrylic are trimmed with a Polished Chrome band and frosted inside for excellent light diffusion. The bottom is dimpled for a unique optical effect.



**MEASUREMENTS**

DIMENSION : 4.75" W x 4.75" H x 6" Ext  
 MAX OAH : 4.75" W x 2" H  
 HANGING WEIGHT : 2.64 lb

**LAMPING**

INPUT VOLTAGE : 110V  
 LUMENS : 501 Rated (392 Del.)  
 BULB : 1 x 6W LED PCB Integrated , 6W Total  
 BULB INCLUDED : (Integrated)  
 DIMMABLE : Triac CL or ELV  
 CRI : 80+ CRI  
 COLOR\_TEMP : 3000K  
 LIGHTING\_DIRECTION : Omni

**FINISHES OPTION**

- Natural Aged Brass
- Polished Chrome

**GLASS**

Clear and Frosted 93

**MATERIAL**

Steel + Aluminum + Acrylic

**RATINGS**

cETLus  
 Damp Location



**ADDITIONAL**

INSTALL UP/DOWN: All  
 RATED LIFE 25000 Hours  
 OPERATING TEMPERATURE:  
 -20°C (-4°F), 40°C (104°F)

Always consult a qualified electrician before installing any lighting product.