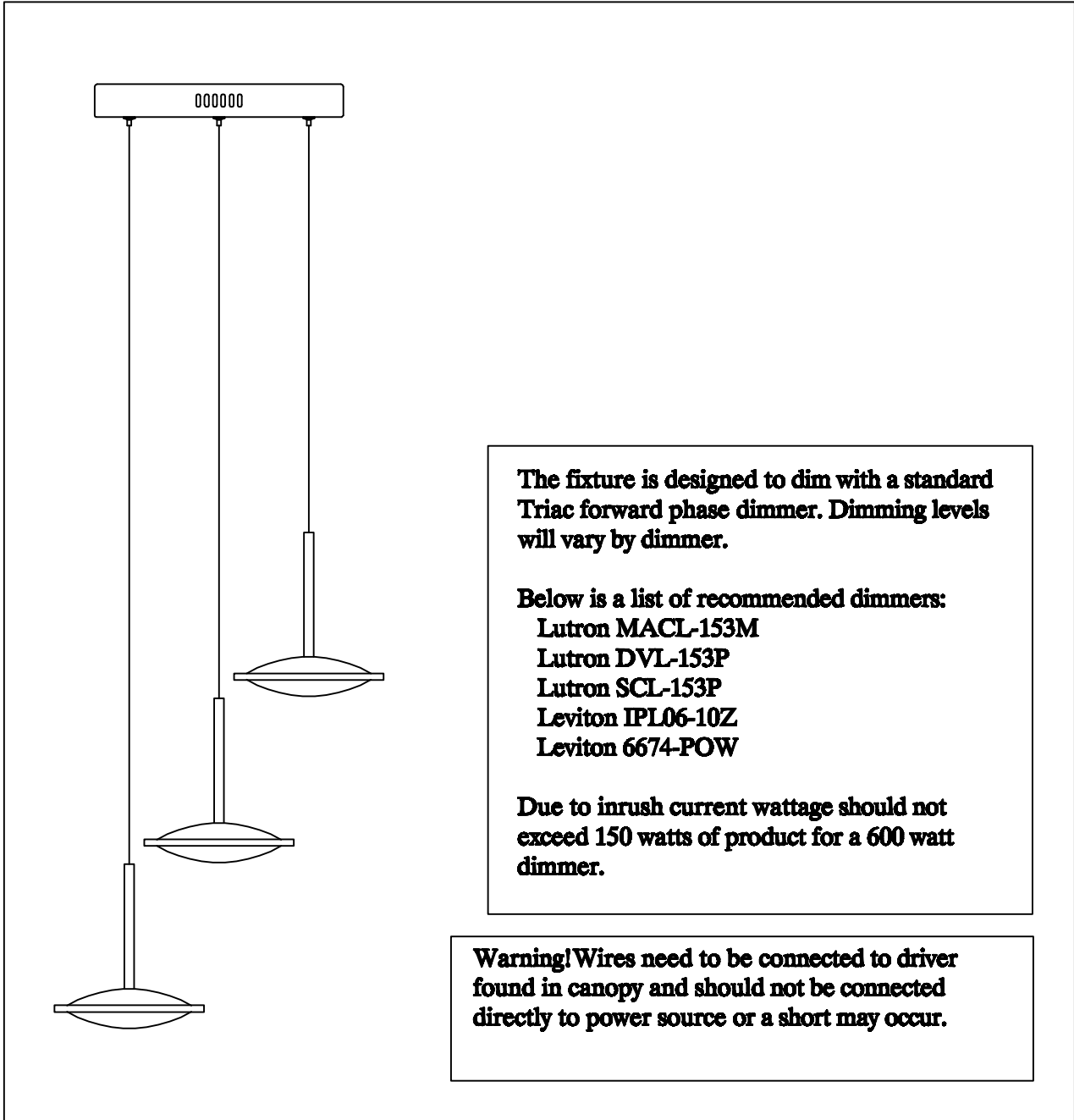


Contemporary Lighting

PRODUCT NAME: Saucer

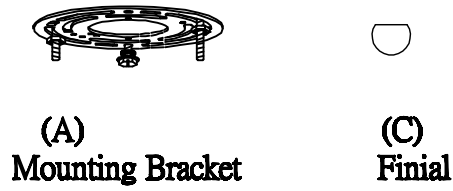
ITEM NUMBER: E21543-90GLDBK

Please consult your electrician for hanging fixture and wiring.

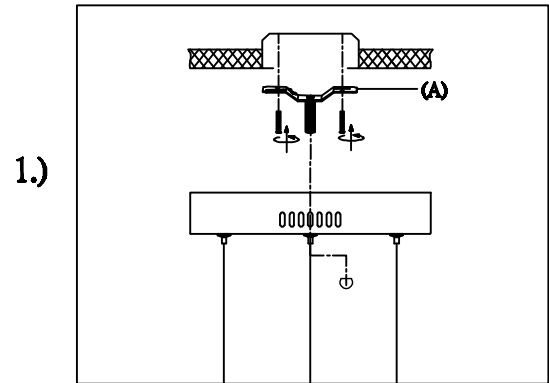
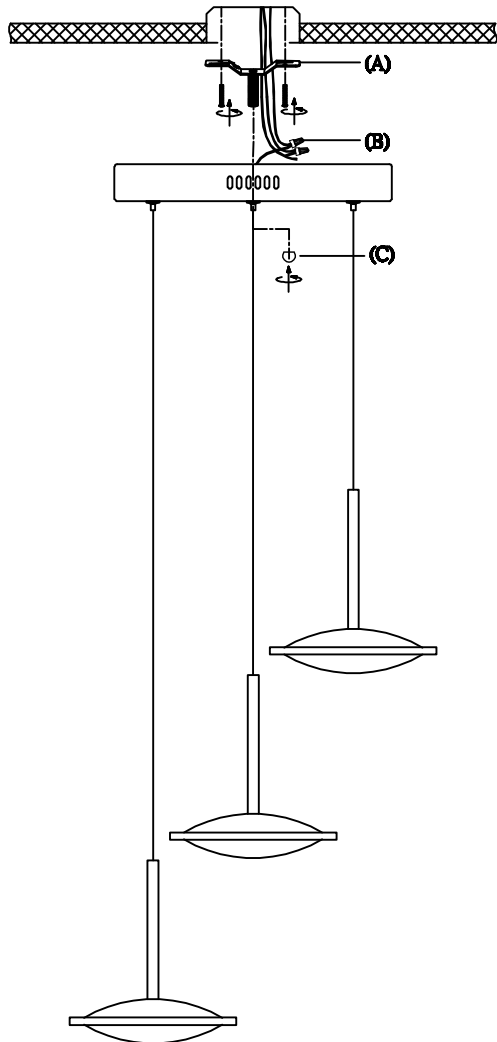


Bulb(integrated):LED 28W

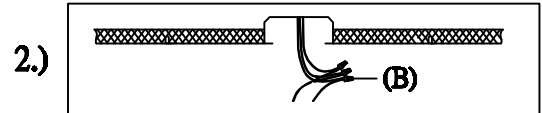
IMPORTANT: Turn off the power at the main fuse or circuit breaker box before starting installation



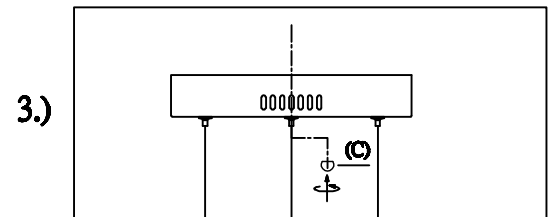
Locate all hardware & components before discarding packaging



Step.1: Remove mounting bracket (A) from fixture and install to electrical box.



Step.2: Wire fixture to wires (B) in outlet box. Copper wire is for Ground.



Step.3: Adjust wire length to desired mounting height, and tighten strain relief screws to secure. Install fixture to bracket and tighten finials (C) at the ends of the canopy to secure.

Cleaning & Care:

Clean with soft cloth and a mild detergent.
Do not use abrasive cleaner.